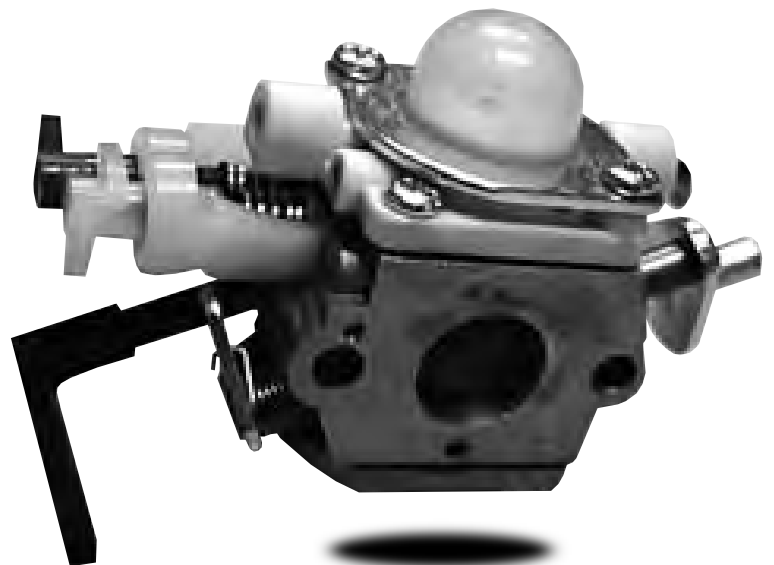


JANUARY 2011

ZAMA[®]

Carburetor



REV #25

******* IMPORTANT NOTICE *******

THE JANUARY 2011 SERVICE MANUAL WILL BE THE FINAL HARD COPY PRINTING. ALL INFORMATION IN THE SERVICE MANUAL CAN BE ACCESSED ON OUR WEB PAGE UNDER THE SERVICE/AFTERMARKET SECTION. THIS INFORMATION WILL BE AVAILABLE WITHOUT CHARGE AND WILL BE UPDATED FREQUENTLY WITH NEW PARTS AND TECHNICAL INFORMATION.

PLEASE VISIT US AT WWW.ZAMACARB.COM

IMPORTANT INSTRUCTIONS

BEFORE INSTALLING ANY PART REFERENCED IN THIS PARTS CATALOG, CONSULT THE APPROPRIATE MANUFACTURER'S INSTRUCTION MANUAL FOR INSTALLATION INSTRUCTIONS.

LIMITED WARRANTY

USA Zama, Inc. (the Company) warrants its products for a period of 90 days from the date of delivery to the buyer to be free of defects in materials and workmanship under normal use for the purpose for which they are intended. This express limited warranty shall not cover any product which has been misused or neglected; operated with alcohol or other exotic fuels; damaged by accident; nor a product which has been altered outside the company's factory.

The obligation of the company under this limited warranty is to repair or replace at its factory any defective product or part which has been returned to the factory, transportation charges prepaid, within 90 days from the delivery date of the product to the buyer.

The company shall be the sole judge of the existence of any defect in the article returned. No claim for cost incurred in the removal, disassembly or reinstallation of such article will be allowed.

The Company shall in no event be liable for consequential damages or contingent liability arising out of any total or partial failure to function of any article manufactured by it or of any engine or equipment on or in which it is used.

No express, implied or statutory warranty, other than that herein set forth is made, or authorized to be made, by the company.

Table of Contents page(s)

Zama Distributors 2

Technical Guide 3-18

Applications Cross Reference . . 19-26

Parts List. 27-144

C1M Type	27
C1Q Airhead Type	35
C1Q Type	39
C1S Type	77
C1T Type	83
C1U Simple Start® Type	87
C1U Type	91
C3 Type	115
C3A/M Type	119
LA/LB/LE Type	129
RB Type	135
RC1 / RC2 Type	141

Price List. 145-168

Zama Authorized Distributors



United States Distributors

Billiou's Inc.
Porterville, CA
Phone: (800) 245-5468
Email: Letushelp@billious.com

Magneto Power, LLC
Mequon, WI
Phone (800) 597-3880
Email: wi@magnetopower.com

Original Equipment
Billings, MT
Phone: (800) 332-7158

Edgewater Mower
Edgewater, FL
Phone: (800) 342-4183

Marr Bros., Inc.
Dallas, TX
Phone: (800) 627-7276
Email: sales@marrbros.com

Sunbelt Outdoor Products
Charlotte, NC
Phone: (800) 438-0660

Gardner, Inc.
Cranbury, NJ
Phone: (800) 521-6535
customerservice@gardnerinc.com

Medart, Inc.
St. Louis, MO
Phone: (800) 888-7181

V.E. Petersen Co.
Walbridge, OH
Phone: (800) 537-6212
Email: info@vepetersen.com

International Distributors

Canada Power Technology Ltd.
Ontario, Canada
Phone: (800) 861-9559
Email: cpt@idirect.com

Klaus-Haeberlin AG
Switzerland
Phone: (41) 043 3992040
Email: mail@klaus-haeberlin.ch

Rowena Motors
Great Britain
Phone: (44) 1248-715552
rowenamotors@yahoo.co.uk

DONGIL GreenFogTech, Inc.
Seoul, Korea
Phone: (82) (02) 426-0607
Email: GreenFogTech@yahoo.com

Magneto Sales
Surrey, British Columbia
Phone: (800) 663-9949
www.magnetosales.com

Sabart Spa
Italy
Phone: (0039) 0522 508511
Email: info@sabart.it

Electrolux Outdoor Products
Auckland, New Zealand
Phone: (09) 262-4677
Email: Sales@eop.co.nz

n.v. Garden Machinery s.a.
Belgie, Belgique
Phone: +32 9 384 25 89
info@garden-machinery.com

Service and Supply Ltd.
Israel
Phone: (972) 3 5356511
Email: serply@goldmail.net.il

EMAK-Deutschland GmbH
Germany
Phone: (49) 07191 36670
Email: info@emak-deutschland.de

Overseas Motors (PTE) Ltd.
Singapore
Phone: (65) 264-7288
Email: Sales@oseamo.com

Theo Turgeon Equipment, Inc.
Quebec, (Quebec)
Phone: (418) 683-2952
Email: info@theoturgeon.ca

Gimbel Mexicana S.E. DE
Mexico
Phone: (52) (55) 5531-3100
Email: gimbel@gimbel.com.mx

Partner Sp. zo.o.
Poland
Phone (48) (71) 3535708
partner@partner-parts.com.pl

Yvan Beal
France
Phone: (04) 73 91 93 51
Email: info@yvanbeal.fr

Husqvarna Pty. Ltd.
Somersby, NSW, Australia
Phone: (61) 02 43 721 500
customer.service@husqvarna.com.au

ratioparts GmbH
Germany
Phone: (49) 2251/650-1000
Email: verkauf@ratioparts.de

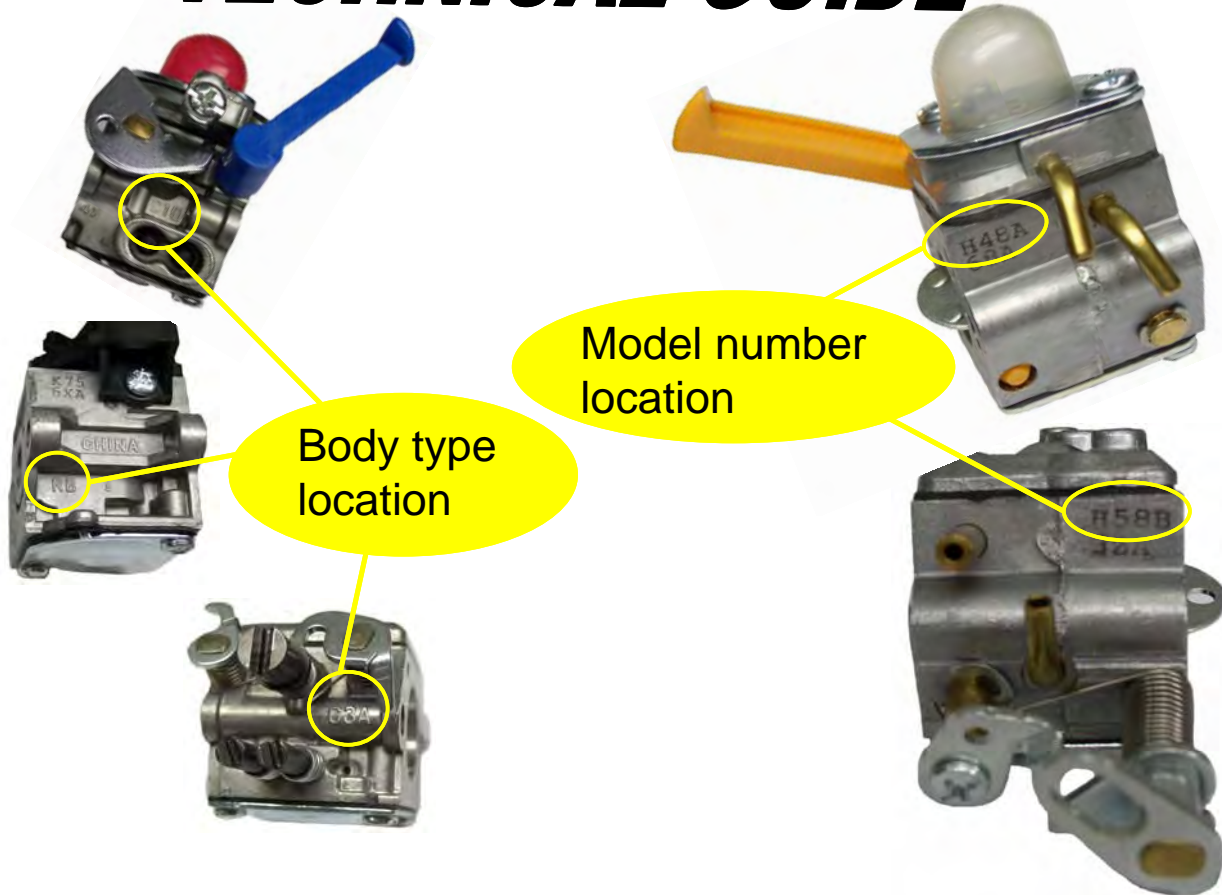
Jorge L. Carranza SA
Buenos Aires, Argentina
Phone: (54) 11 47171800
Email: ventas@jlc.com.ar

Romar Agencies & Dist, Inc.
San Juan, Puerto Rico
Phone: (787) 720-5959
Email: romari@prtc.net

ZAMA®



TECHNICAL GUIDE

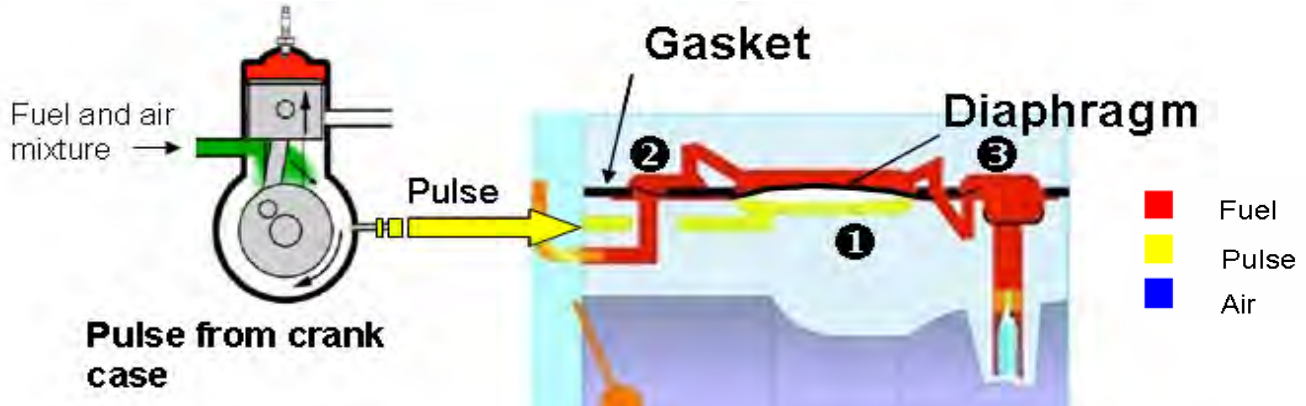


SYSTEMS AND OPERATION

/// FUEL PUMP SYSTEM

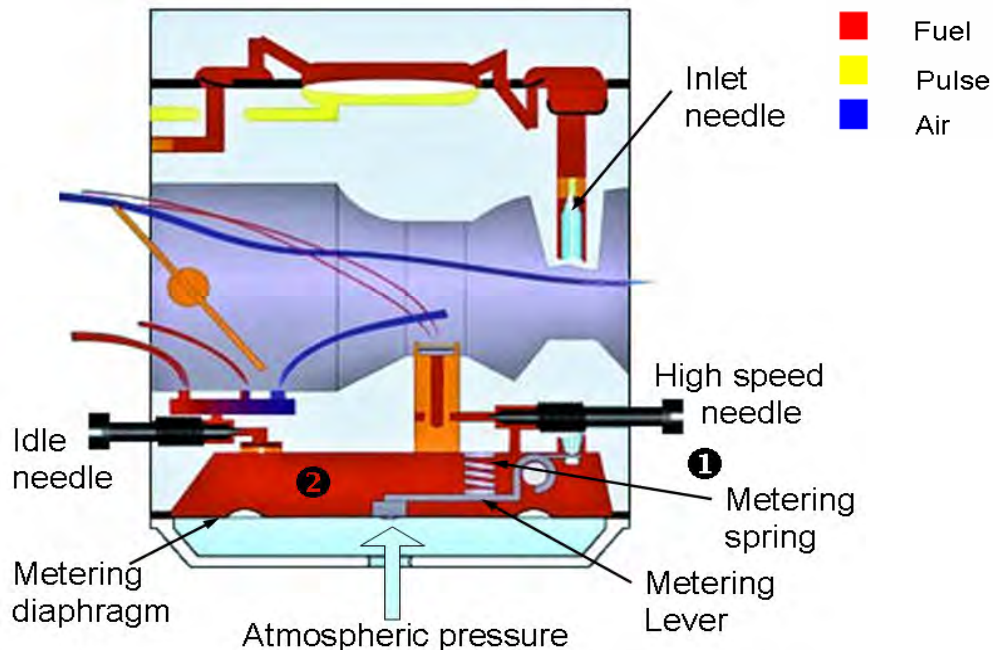
- 1 The fuel pump on a diaphragm carburetor uses the vacuum and pressure pulse from the engines crankcase to move a diaphragm up and down. The pulse travels from the crankcase through a drilled passage or a hose to the carburetor.
- 2 As the diaphragm moves up it expands the area in the pump chamber. This creates a vacuum, which draws fuel through a one-way inlet check valve into the chamber.
- 3 As the diaphragm moves down and compresses the area in the pump chamber the fuel is forced through the one-way outlet check valve to the inlet needle.

It is important to make sure the passage from the engine crankcase to the pump diaphragm is clear and not restricted in any way in order for the pump to operate properly.



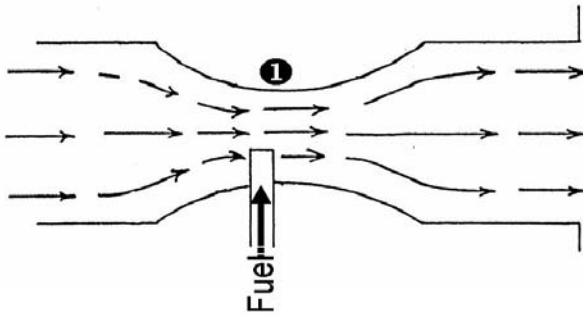
/// FUEL METERING SYSTEM

The purpose of the metering system is to control fuel flow. It's operation is much like a float and inlet needle on a conventional float bowl carburetor. The main advantage of this system is that it is not affected by the orientation of the engine. The components of the fuel metering system consist of an inlet needle, metering lever, metering spring and metering diaphragm.



- 1 The pressure of the metering spring against the metering lever holds the inlet needle against its seat and prevents fuel from entering the metering chamber.
- 2 The metering diaphragm is made of a flexible convoluted material to allow for greater movement. As the engine runs, fuel is being drawn from the metering chamber in the carburetor. This causes the metering diaphragm to move up and contact the metering lever. The pressure of the metering diaphragm against the lever over rides the spring pressure on the inlet needle. The fuel pressure from the pump is then great enough to overcome the spring pressure on the inlet needle and fuel flows into the metering chamber.

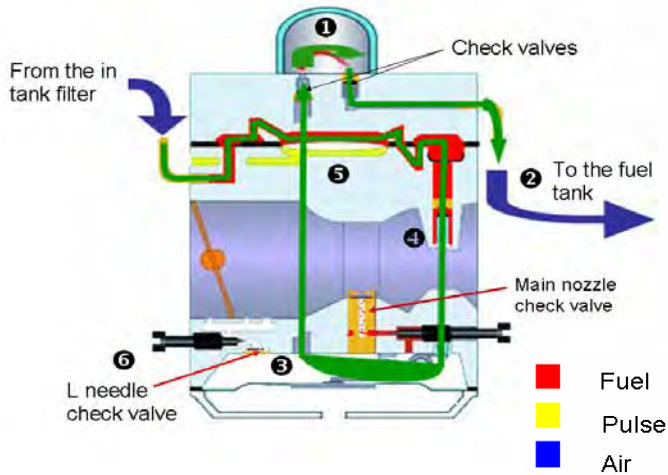
VENTURI PRINCIPLE OF OPERATION



- 1 A venturi is a constriction of the inside diameter of a tube. The “venturi affect” occurs when airflows through a constriction, the airflow speeds up (velocity increases) and the pressure decreases (vacuum increases) at the point of the smallest diameter.

The Venturi is used to produce low pressure inside the bore of the carburetor. The low pressure pulls fuel into the bore from the metering chamber where it mixes with the air and is drawn into the combustion chamber.

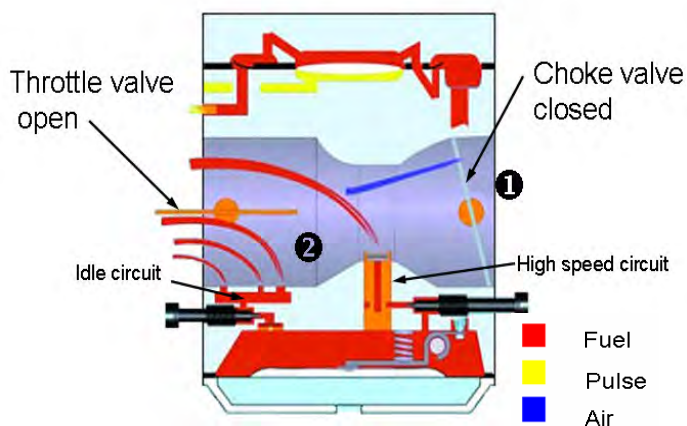
PRIMER OPERATION



- 5 The open inlet needle causes the vacuum created by the primer to draw fuel from the tank, through the pump, into the metering chamber and up to the primer bulb.
- 6 To prevent air from entering the metering chamber during primer operation there is a one-way check valve in the idle circuit and main nozzle. Every time the primer bulb is depressed this process is repeated causing any old fuel or air that was in the carburetor to be displaced by fresh fuel from the tank. The fresh fuel in the carburetor makes the engine easier to start.

Note that once the metering chamber has been filled with fresh fuel continuing to push on the primer bulb will not help improve the starting of the engine.

STARTING (CHOKE) OPERATION

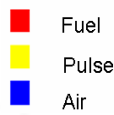
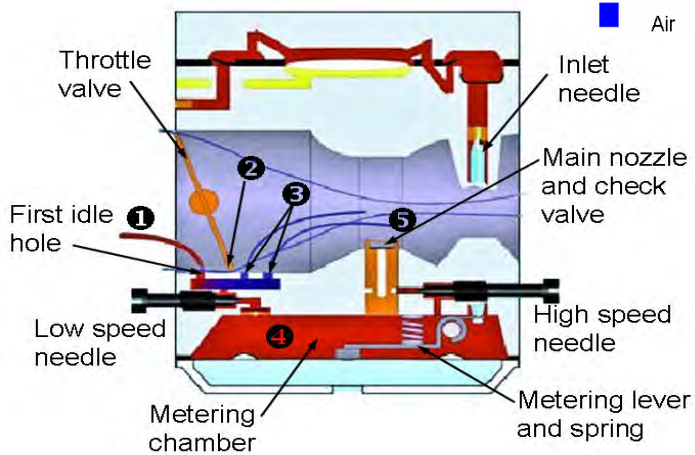


- 1 To start a cold engine the fuel and air mixture entering the engine must be rich. Closing or choking the air inlet of the carburetor using a choke valve accomplishes this. The choke valve allows very little air to enter, causing the engine vacuum to be concentrated inside the venturi of the carburetor.
- 2 The high vacuum draws fuel from the high and low speed fuel circuits creating the very rich fuel and air mixture that is needed to start a cold engine.

The full-choke operation is used to get the engine to fire and start. In most cases the fuel air mixture is too rich to allow the engine to run for a long time before it dies. After the engine starts or “pops” and dies in the full choke position the choke valve is then moved to the half-choke position. The engine is re-started and will continue to run in a rich condition.

After the engine has sufficiently warmed up in the half choke-position the choke valve can be moved to the full open position.

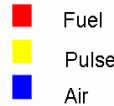
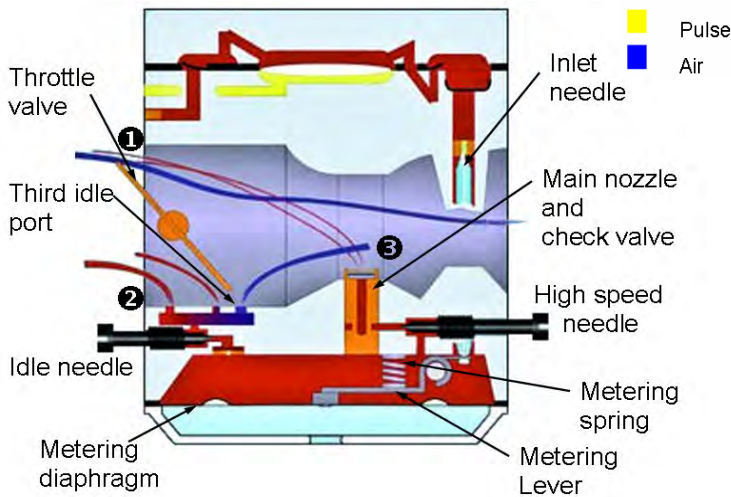
/// IDLE OPERATION



- 1 At idle, fuel is delivered to the engine through the idle or low speed circuit. This circuit usually consist of two or three holes located along the throttle bore of the carburetor.
- 2 The throttle valve is slightly open allowing a small amount of air to pass through to the engine. This creates a low pressure (vacuum) on the engine side of the throttle valve and atmospheric pressure on the inlet other side of the valve.
- 3 Air enters the secondary holes on the atmospheric side of the throttle valve and mixes with the fuel in the idle pocket creating an emulsified air fuel mixture. The low pressure draws the fuel and air mixture through the first idle hole into the engine.

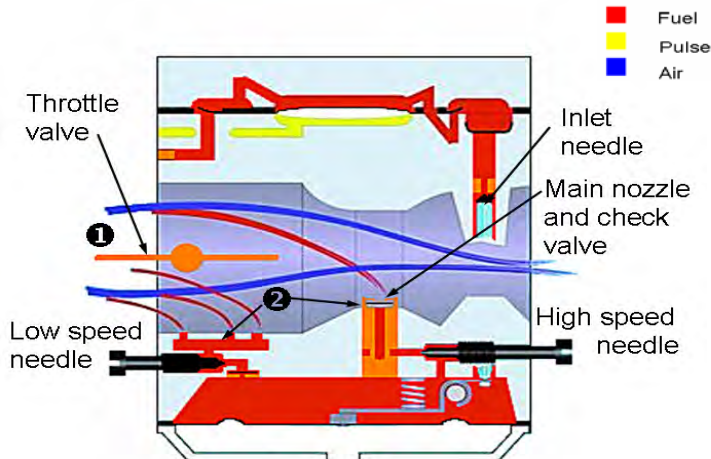
- 4 As the fuel and air mixture is drawn out of idle pocket it creates low pressure in the metering chamber. Atmospheric pressure pushes the metering diaphragm against the metering lever. This releases the spring pressure applied to the inlet needle and allows fuel to flow into the metering chamber.
- 5 The main nozzle check valve is another important component of the idle circuit. This one way check valve located in the main nozzle is under atmospheric pressure at idle. Without it air would flow from the main nozzle into the metering chamber. This will cause an air leak in the metering chamber and there would be no drop in pressure. The diaphragm will not move and the engine will die lean when idling. This check valve also serves the same function during the priming operation.

/// PART THROTTLE OPERATION



- 1 During part throttle operation or acceleration the throttle valve is opened to allow more air to the engine.
- 2 As airflow increases so must fuel flow to maintain a proper air/fuel mixture. The secondary idle holes are now on the vacuum side of the throttle valve and fuel is drawn through all the idle circuit holes.
- 3 The increased airflow causes vacuum to be applied to the main nozzle. This allows fuel pressure from the metering chamber to overcome atmospheric pressure on the check valve and it begins to flow fuel to the engine.

/// WIDE-OPEN THROTTLE OPERATION



- 1 The throttle valve is opened completely allowing maximum airflow through the venturi.
- 2 The pressure drop from the venturi increases fuel flow from the main nozzle. Fuel from the main nozzle and idle circuit mixes with the air, entering the combustion chamber and satisfying the requirements of the engine.

TROUBLE SHOOTING DIAPHRAGM CARBURETOR PROBLEMS

Engine problems that can be mistaken for carburetor problems

Performance problem		Hard starting / no start	Will not idle / no start	Erratic idle / unstable	Lean engine / stalls at W.O.T.	Poor acceleration / stalls at idle	low power at W.O.T.	Rich engine / flooding
Inspect possible fault	Engine Air leaks / bolts loose / gaskets damaged	●	●	●	●	●		
	Plugged / restricted fuel pump pulse passage	●	●	●	●	●	●	
	Air filter restricted (dirt / fuel)		●	●			●	●
	Fuel line leakage	●	●	●	●	●	●	
	Piston/cylinder damaged or scuffed	●	●	●		●	●	
	Restricted muffler	●	●	●		●	●	
	Dirt in fuel system / old fuel	●	●	●	●	●	●	
	Dirty / fouled spark plug	●	●	●		●	●	
	Fuel tank vent open or restricted	●		●	●	●	●	●
	Faulty ignition switch / module	●	●	●		●	●	
	Throttle linkage binding		●	●		●	●	
	High engine friction or load	●	●	●		●	●	

Chart 1

This section describes the procedure recommended to properly diagnose a Zama diaphragm carburetor problem on a two-cycle engine.

If you have an engine performance problem and suspect the carburetor the first thing that must be done is to confirm that you actually have a carburetor problem. Above is a trouble-shooting guide that can help you diagnose engine problems that can often be mistaken for the carburetor. We will assume you have confirmed the following items and inspected all the possible faults as specified in chart 1.

Common things to check that can effect carburetor performance.

- Engine compression and crankcase vacuum are to manufacturers specs.
- Good ignition system and spark plug.
- Crankcase pulse passage is clear.
- Carburetor and manifold bolts are tight.
- Low speed and high-speed enrichment needles are adjusted to manufacturers recommendations.
- Idle speed screw is adjusted to manufacturers recommended idle speed.

Carburetor related problems trouble shooting guide

Performance problem		Hard starting / no start	Will not idle	Rich idle / no start	Erratic idle / loads up	Idles with low speed needle closed	Engine with low speed needle closed	Poor acceleration / deceleration	low power at W.O.T.	Rich engine / flooding	
Possible fault	Idle mixture screw not properly adjusted	●	●	●	●			●	●	●	
	High speed mixture screw not properly adjusted	●						●	●	●	
	Throttle adjust screw adjustment		●						●		
	Throttle shaft, plate (loose/worn)	●				●		●			
	Choke shaft, plate (loose/worn)	●	●								
	Fuel pump diaphragm (leaking/stiff)		●	●	●	●		●	●	●	●
	Strainer (restricted/plugged)	●	●						●	●	
	Inlet needle valve stuck	●	●								
	Inlet needle leaking (dirt/worn tip/worn seat)	●		●	●						●
	Metering lever, spring (worn/binding)	●	●	●	●				●	●	●
	Metering lever set to high	●		●							●
	Metering lever set to low	●							●	●	
	Atmosphere vent hole, metering cover (restricted)	●	●						●		
	Metering diaphragm gasket (leaking/stiff/cover screws loose)	●		●	●			●	●		
	Welch plug leaking	●		●			●				●
	Low speed fuel passage restricted/dirty	●	●			●			●		
	High speed fuel passage restricted/ dirty	●									
	Idle and main mixture screws seats damaged	●	●	●	●	●					●
	Main nozzle check valve closed/restricted	●								●	
	Main nozzle check valve leaking	●				●		●			
Accelerator plunger stuck (if equipped)								●			

After ruling out any engine related performance problems use chart 2 to help determine the fault for the carburetors malfunction.

If the diagnoses result in action that involves repair of the carburetor then follow the disassembly and service instructions on the subsequent pages.

ZAMA CUBE CARBURETOR DISASSEMBLY AND SERVICE

MIXTURE SCREWS

- Remove idle and main mixture screw.
- Inspect each screw for damage, especially the needle points which should have no deformation of the tapered surfaces.
- A damaged needle or seat will result in a very sensitive needle. The needles will be difficult to adjust and the carburetor will always run too rich or too lean.

Note: On dual needle carburetors the L and H needle are not interchangeable. Remember that the L needle is always longer.

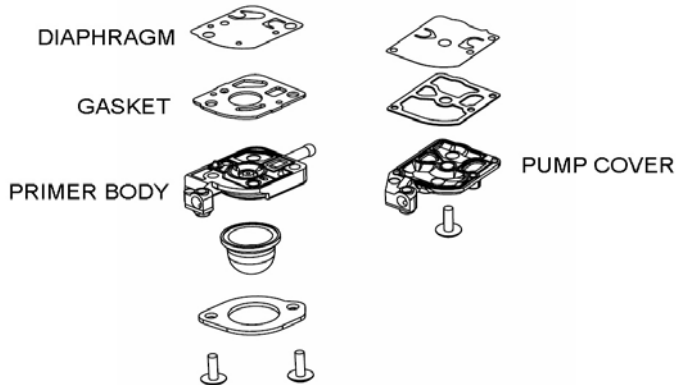


FUEL PUMP

FOR LA/LB TYPE:

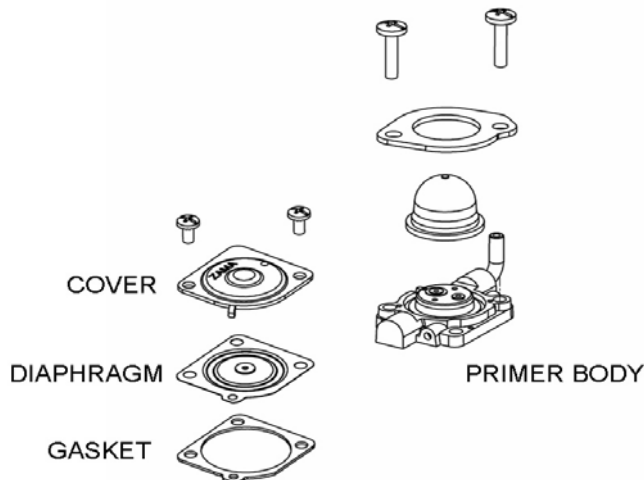
- Remove fuel strainer cover and strainer.
- Remove pump diaphragm and pump gasket.
- Inspect pump diaphragm, replace if diaphragm shows any signs of wear or curling.
- Remove metering chamber cover.
- Remove metering diaphragm and metering chamber gasket.
- Inspect metering diaphragm for dirt and foreign matter. Remove pump cover screws and pump cover.

FOR ALL OTHER TYPES: C1U, C1Q/M, C2, C3, C3A/M



- Remove pump cover screws and pump cover or primer body.
- Remove pump gasket and pump diaphragm.
- Inspect pump diaphragm, replace if diaphragm shows any signs of wear, wrinkles or tears.
- Remove strainer.

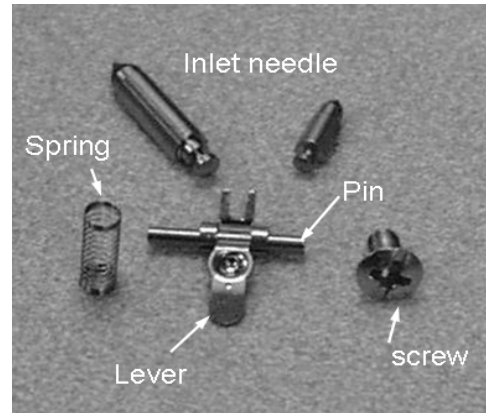
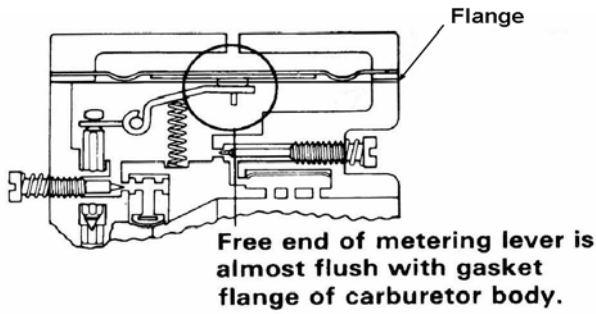
METERING DIAPHRAGM



- Remove screws and metering chamber cover or primer body.
- If metering diaphragm is hooked type, remove it, being careful to un-hook it from metering lever.
- Remove metering chamber gasket.
- Inspect metering diaphragm for dirt and foreign matter.

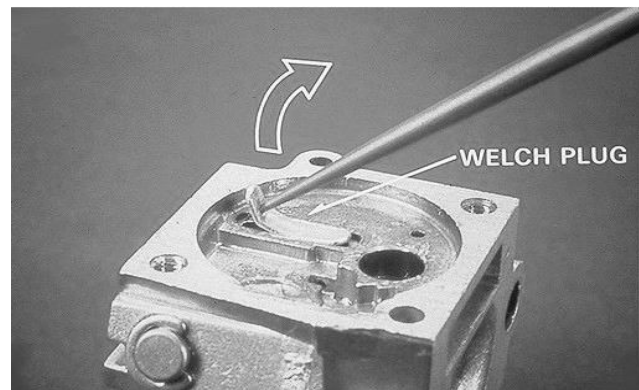
INLET NEEDLE VALVE

- If the carburetor is equipped with a plastic metering disk, remove it carefully. The disk must be smooth and free from cracks or chipped edges. The center tip that fits into the metering lever hole must be secure and not broken or worn.
- The following instructions apply to all models.
- Remove metering lever screw.
- Remove metering lever, pin, metering lever spring and inlet needle valve.
- Inspect the metering lever. It should not be worn where it contacts the inlet needle valve and metering disk.
- Inspect inlet needle valve. The tip should not be deformed where it contacts the seat.



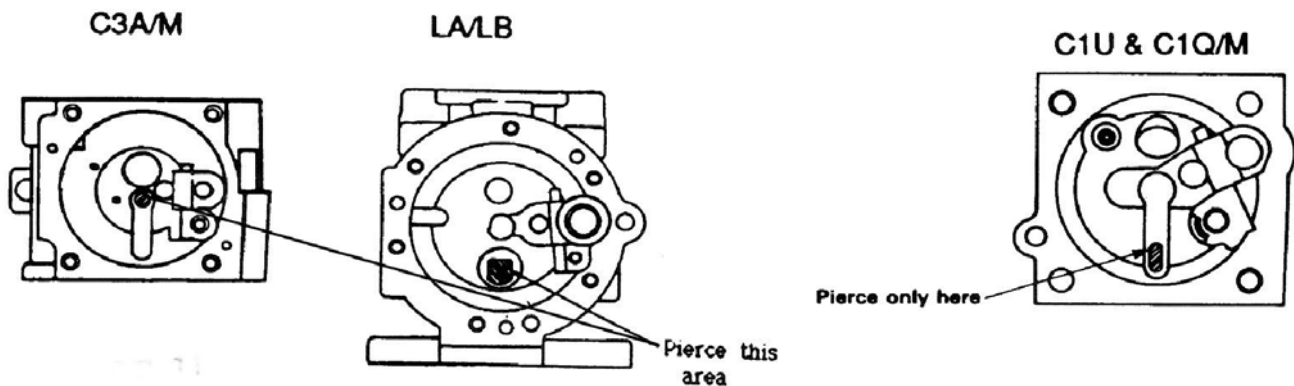
WELCH PLUG

- Under the extreme conditions of a clogged idle port and channel, it may be necessary to remove the welch plug. Do this operation very carefully. If the carburetor is equipped with the priming pump, do not attempt to remove the welch plug unless you are certain the check valve in the idle chamber is malfunctioning.
- Use a small 2/32 to 3/32 inch diameter sharp pointed punch to pierce the welch plug.
- Just below the welch plug there is a thin casting wall where the idle and secondary holes are located. Punching through this area will ruin the carburetor body casting. Let the punch just pierce the welch plug, then carefully pry the welch plug out of the body casting.
- If the carburetor is equipped with the plastic filling in the idle chamber, it will be unusable when the welch plug is removed. So, replace the plastic filling.



Note: It is often un-necessary to remove the welch plug. Test for plugged progression holes by spraying carb cleaner into the L needle hole. If cleaner sprays out the progression holes there is no need to remove the welch plug.

LOCATION CHART FOR PIERCING WELCH PLUGS



NOZZLE

- Test the main nozzle by blowing air by mouth through the H needle feed hole with a small hose. With the needle open 2 turns open air should flow through, but you should not be able to suck air back.
- Before removing nozzle assembly, make sure the main mixture screw was already removed.
- If the carburetor is equipped with a pressed in nozzle assembly, do not attempt to remove it unless you are certain it is malfunctioning. If it is necessary to remove, carefully press it out with steel rod or punch slightly smaller in diameter than the nozzle.
- If the carburetor is equipped with a screw in nozzle assembly, remove it in the same manner as a normal screw.
- If the carburetor is equipped with strainer and C-ring type, remove main welch plug, then remove C-ring and retainer. It is not necessary to remove nozzle.
- The strainer and retainer type is not repairable. Clean them using gasoline and compressed air.

CARBURETOR BODY

- Clean the carburetor body. Channels can be cleaned by blowing through the idle and main adjusting orifices with spray carburetor cleaner. Do not soak in dip tank type cleaner. Do not use wires or drills to clean orifices. Inspect the operation of the throttle valve and lever.

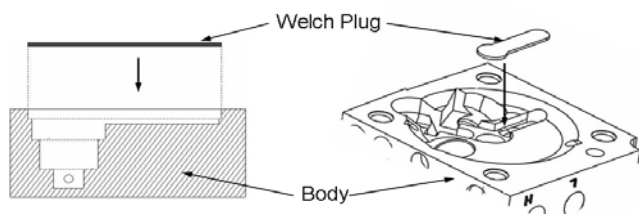
REASSEMBLY

- * Replace all worn parts and make sure that all parts are clean before they are reassembled into carburetor body.

NOZZLE

- Make sure the main mixture screw was removed, before reassembling the nozzle assembly.
- If nozzle assembly is a pressed in type, put a light oil film on the outside of the nozzle check valve cage.
- Carefully press the nozzle into the carburetor body until it is just flush with the metering chamber.
- If the carburetor is a strainer and C-ring type, install the strainer and C-ring. Lay the main welch plug into the cavity and press it firmly with a flat end punch to expand it tightly against the sides of the cavity.
- If nozzle assembly is a screw in type, reassemble in the same manner as a normal screw.

WELCH PLUG



- Lay the welch plug into the cavity. If the welch plug is circle shape, press it firmly with a flat end punch to expand it tightly against the sides of the cavity. If the welch plug is oblong shape, press it firmly with oblong punch.
- Lay the welch plug into the cavity. Press it firmly with oblong punch. It is best to use sealer for sealing around the welch plug.

INLET NEEDLE VALVE



- Inspect the metering lever and the pin.
- Assemble the lever onto the pin and rotate the pin. The lever should fit easily on the pin and not stick.
- Install the inlet needle valve, metering spring, metering lever, pin and retaining screw.
- Adjusting the metering lever. The Zama "Z" gauge is designed to adjust all models. Hold the gauge against the body as shown using the proper side designated for the model you are adjusting. The end of the metering lever should touch the gauge. A straight edge can also be used as described on the next page.

(A) If the metering lever is the same as Figure a in the following schematic, place a straight edge or Zama Z gauge across the carburetor body. The free end of the metering lever should be 0 to 0.3 mm - 0 to 0.012" below the straight edge.

(B) If the metering lever is the same as Figure b in the following schematic, the free end of the metering lever should be flush with the cavity floor. (1.7mm to 2.0 mm - 0.067" to 0.078" below the metering gasket flange of carburetor body).



ADJUSTING THE METERING LEVER HEIGHT



Zama Z-gauge

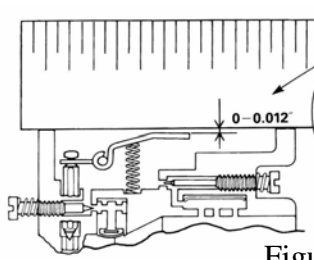


Figure a

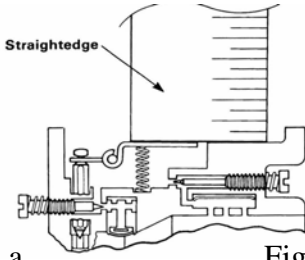
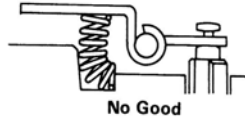
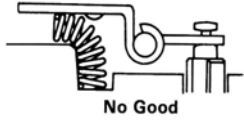
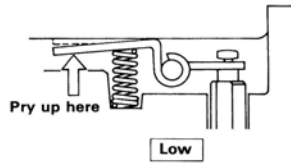
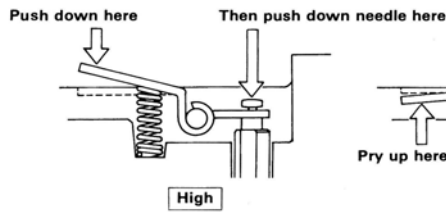


Figure b

If the metering lever is too high, push down on the free end of the lever, then carefully push down on the inlet needle, if the metering lever is too low, pry up carefully on the free end of the lever.



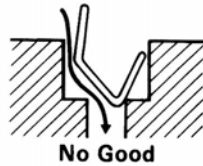
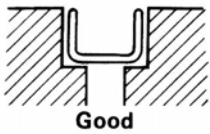
- Make sure the metering lever spring is seated at the bottom of the casting pocket and under the dimple in the metering lever.



- If the metering lever is too high, push down on the free end of the lever, then carefully push down on the inlet needle, if the metering lever is too low, pry up carefully on the free end of the lever.



METERING DIAPHRAGM AND FUEL PUMP



- Install the fuel strainer to the pump cover using a flat end punch of a diameter nearly equal to the inside of the strainer.



METERING CHAMBER FOR ALL CUBE TYPES: C1U, C1Q/M, C2, C3, C3A/M

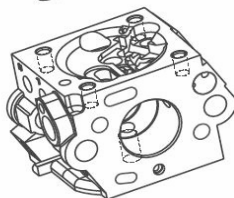
METERING CHAMBER COVER



METERING DIAPHRAGM

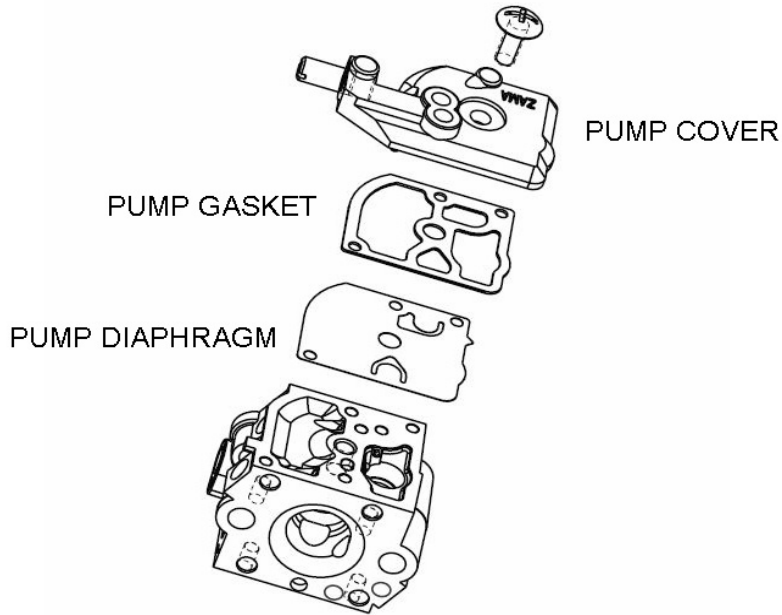


METERING CHAMBER GASKET



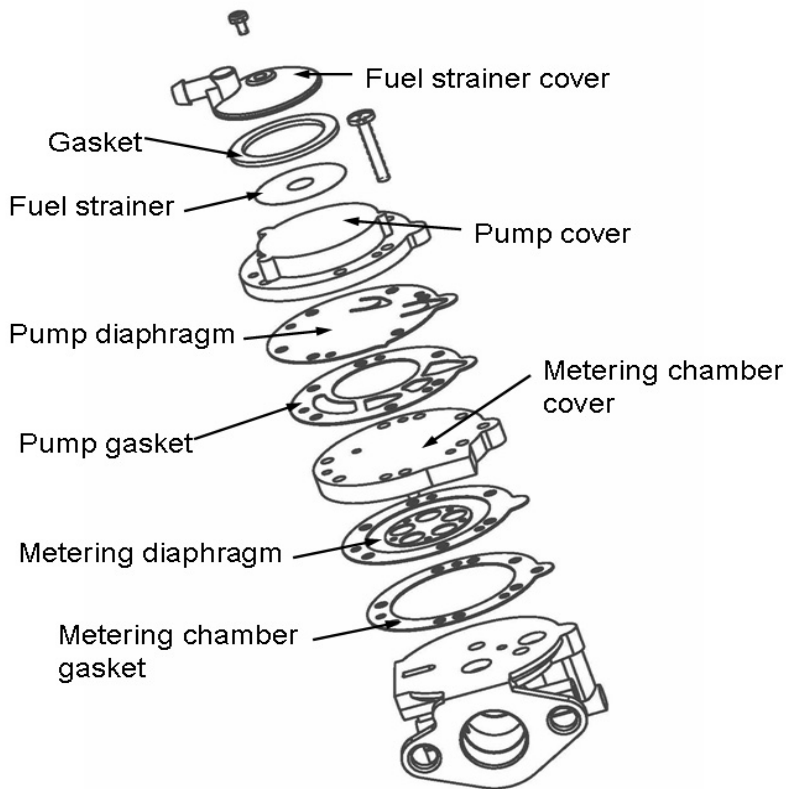
- If the carburetor is equipped with a plastic disk, install it onto the metering lever by placing the molded tip into the hole in the free end of the metering lever.
- Install the metering chamber gasket, metering diaphragm, metering chamber cover and screws. Metering chamber gasket and metering diaphragm should be assembled in the proper order.
- Install the fuel strainer using a flat end punch of a diameter nearly equal to the inside of the strainer. Push the screen straight into the casting to the bottom of the bore.

FUEL PUMP FOR ALL CUBE TYPES: C1U, C1Q/M, C2, C3, C3A/M



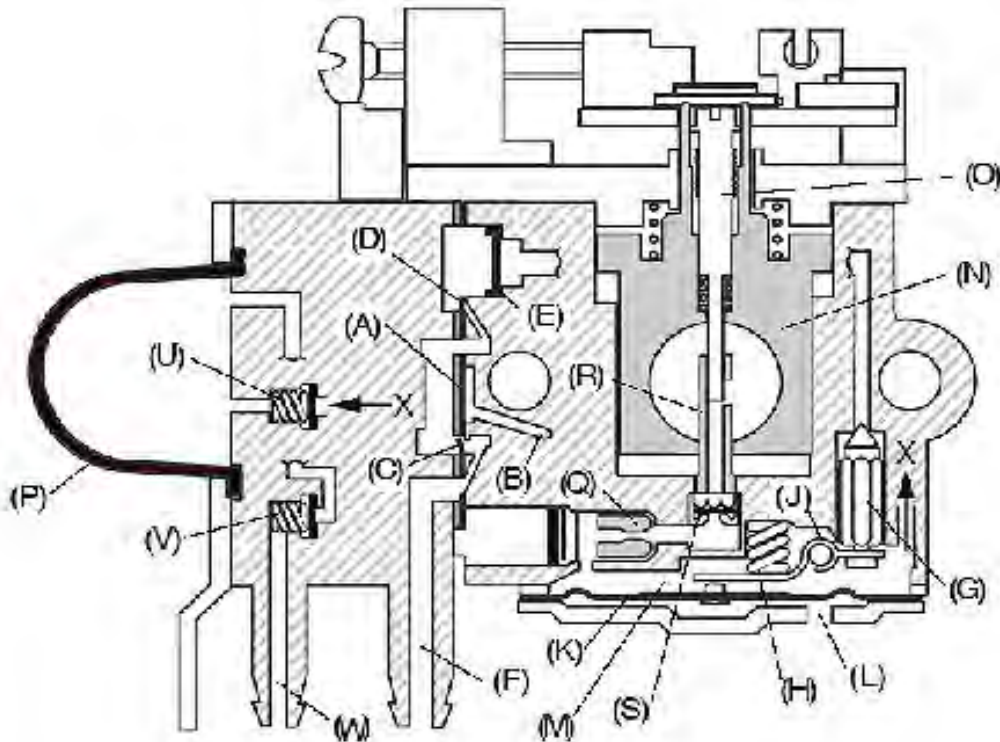
- Install the pump diaphragm, pump gasket, pump cover and screw. Pump diaphragm and pump gasket should be assembled in the proper order.

METERING DIAPHRAGM AND PUMP FOR LA/LB TYPE:



- Install the metering chamber gasket, metering diaphragm, and metering chamber cover. Metering chamber gasket, and metering diaphragm should be assembled in proper order.
- Install the pump gasket, pump diaphragm and pump cover. Pump gasket and pump diaphragm should be assembled in proper order.
- Carefully install the fuel strainer. Push the screen straight into the casting to the bottom of the counter bore. Install the gasket, fuel strainer cover and screw.

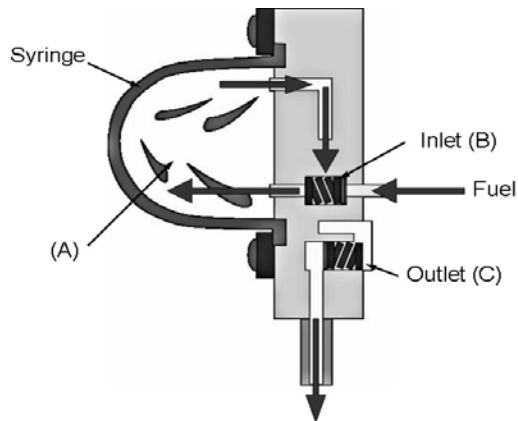
ZAMA RB ROTARY CARBURETOR



- (A) **Pump diaphragm** : Fluctuates in response to crankcase pulses. Transfers fuel from the tank to the inlet needle valve.
- (B) **Crankcase pulse** : Actuates fuel pump diaphragm with alternating positive and negative pressure pulses.
- (C) **Fuel pump inlet check valve** : Opens during negative pressure pulse. Closes during positive pressure pulses.
- (D) **Fuel pump outlet check valve** : Closes during negative pressure pulse. Opens during positive pressure pulse.
- (E) **Inlet screen** : Filters fuel in route to metering chamber.
- (F) **Fuel inlet** : Draws fuel from tank.
- (G) **Inlet needle valve** : Lifts off seat to allow fuel entering metering chamber.
- (H) **Metering lever spring** : Transmits force to metering lever. Closes inlet needle valve as metering chamber is filled.
- (J) **Metering lever** : Lifts inlet needle valve out of seat.
- (K) **Metering diaphragm** : Depressed by atmospheric pressure to activate metering lever.
- (L) **Atmospheric vent** : Allows atmospheric pressure onto dry side of metering diaphragm.
- (M) **Metering chamber** : Fuel reservoir, feeds fuel to main nozzle.
- (N) **Throttle valve** : Regulates engine speed, as controlling the air volume mixed with discharged fuel from main nozzle.
- (O) **Throttle valve needle** : Controls fuel at main nozzle.
- (P) **Purge bulb** : Pumps fuel from the fuel tank through the carburetor fuel pumps and metering chamber back to the fuel tank, purging air from the carburetor.
- (Q) **Main jet** : Meters correct amount of fuel to be delivered to main nozzle.
- (R) **Main nozzle** : Discharges fuel metered by main nozzle to mix with air at throttle valve.
- (S) **Main jet check valve** : Closes to prevent air from entering metering chamber when purge pump is operating.
- (U) **Inlet check valve** : Allows fuel to be sucked up to purge bulb.
- (V) **Outlet check valve** : Allows fuel to be forced to fuel return fitting.
- (W) **Fuel return fitting** : Return fuel to tank through return pipe.

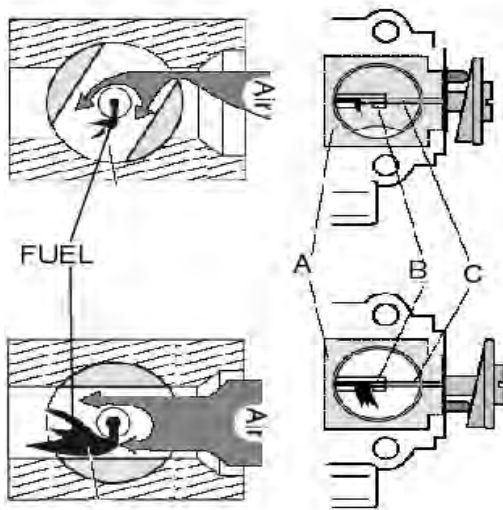
PRINCIPLES OF OPERATION

PRIMER PURGE PUMP



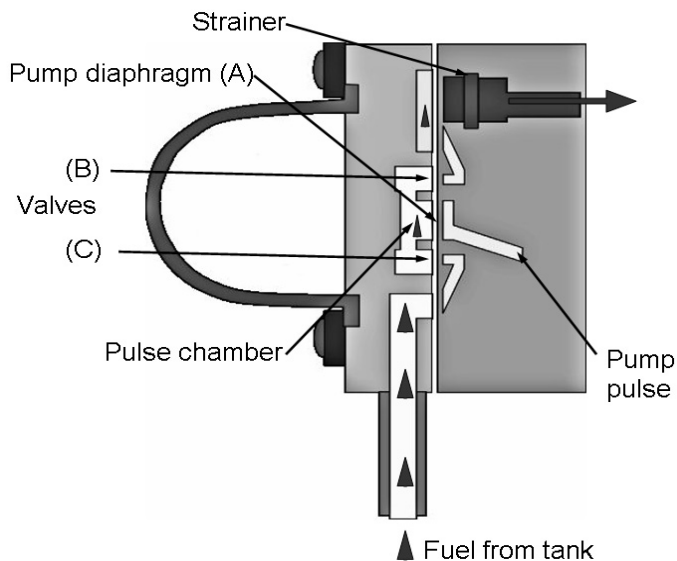
- The purge pump is comprised of purge bulb (A), inlet check valve (B) and outlet check valve (C).
- When the purge bulb (A) is depressed, the outlet check valve (C) opens and air or fuel is forced through the outlet check valve (C) to the fuel return hose fitting.
- When the purge bulb (A) is released, the outlet check valve (C) closes and the inlet check valve (B) opens to draw fuel from the metering chamber.
- Vacuum created by the expanding bulb draws fuel from the fuel tank through the fuel passages of the carburetor into the purge bulb (A).

THROTTLE BODY



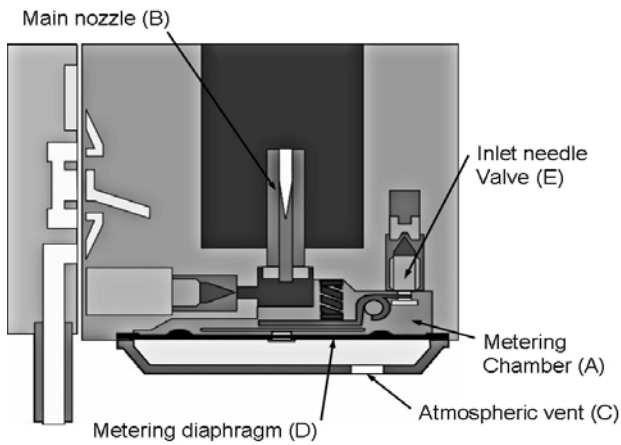
- The throttle valve (A) is a hollow barrel. Rotation of the throttle valve controls the opening of the throttle and also controls the air volume.
- The main nozzle (B) has a slot port to discharge and is located in the center of the throttle valve for maximum air velocity. The throttle valve needle (C) is installed into the main nozzle to control fuel volume. The throttle valve needle moves upward by cam action of the throttle valve, proportionate to the opening the throttle valve.
- At idle the throttle valve is slightly open. The valve needle is at its lowest position, the main nozzle only slightly open.
- As the throttle is opened, the opening of the valve enlarges to allow more airflow into the valve and simultaneously raises the throttle valve to increase fuel flow from the main nozzle.

FUEL PUMP



- The diaphragm (A) is operated by alternating positive pressure and negative pressure pulses generated in the crankcase.
- The valve (B) and (C) open and close alternately to direct the fuel flow from the fuel tank to the inlet needle valve. Fuel is filtered by the strainer prior to entering the metering chamber.

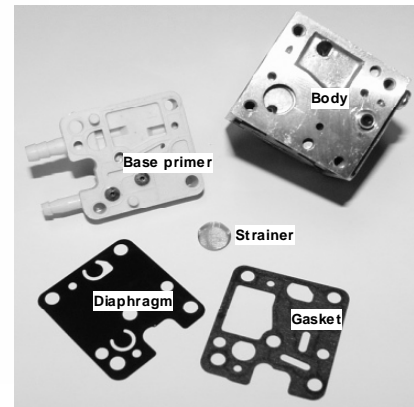
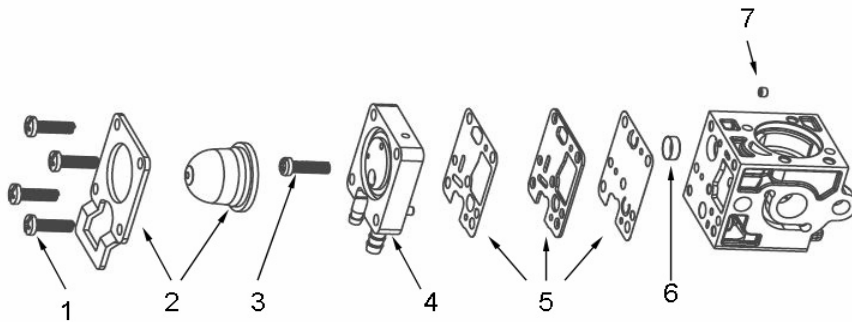
METERING CHAMBER AND INLET NEEDLE



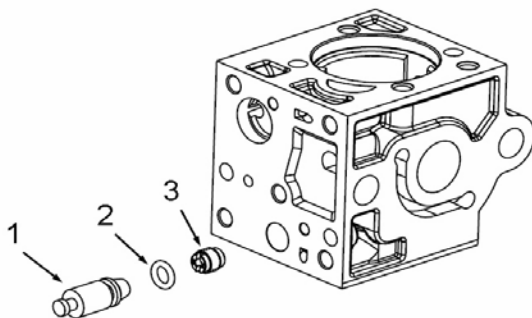
- The metering chamber (A) functions as a reservoir for fuel.
- As the engine rotates, air is drawn into the throttle valve by crankcase vacuum. This creates depression in the area of the main nozzle (B).
- Atmospheric pressure acting through the atmospheric vent (C) depresses the metering diaphragm (D) forcing fuel from the main nozzle (B) and simultaneously opening the inlet needle valve (E) to allow fuel into the metering chamber (A).
- The metering diaphragm controls the amount of fuel in the metering chamber.

RB ROTARY DISASSEMBLY AND SERVICE

FUEL PUMP

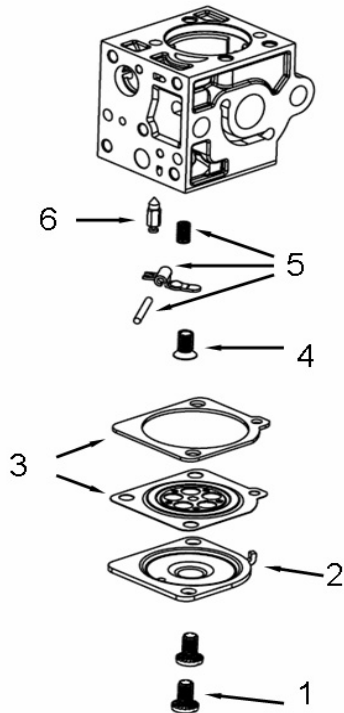


1. Remove four syringe retainer screws.
2. Remove syringe retainer and syringe.
3. Remove base primer screw. Remove base primer. Replace if primer does not function.
4. Remove surge diaphragm, pump gasket, and pump diaphragm.
5. Inspect pump diaphragms and gasket, replace if they show any signs of wear, wrinkles, curling or tears.
6. Remove fuel strainer installed in the carburetor body. Inspect for dirt and foreign matter. Replace if necessary.
7. Inspect and clean roller. Pay attention when disassembling carb to remove the roller and set aside so that it is not misplaced when cleaning the body.



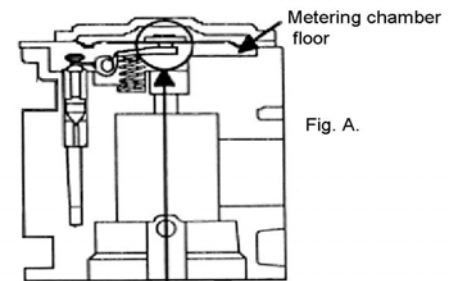
1. Remove plastic nozzle plug.
2. Inspect nozzle plug and o-ring. Replace if they show any signs of wear.
3. Remove jet. Inspect for damage. Do not run drill or wire through jet for cleaning.

METERING DIAPHRAGM AND INLET NEEDLE VALVE



1. Remove two metering cover screws.
2. Remove metering chamber cover.
3. Remove metering diaphragm assembly and metering cover gasket. Inspect metering diaphragm for dirt and foreign matter, replace if they show any signs of wear, wrinkles, curling or tears.
4. Remove metering lever screw.
5. Remove the metering lever, pin and spring. Inspect the metering lever; it should not be worn where it contacts the inlet needle valve or pin. Replace if necessary.
6. Remove and inspect the inlet needle valve. The tip should not be deformed where it contacts the seat. A ring on the needle tip is normal. When you run your thumbnail across the surface of the tip you should not feel groove. Replace it if necessary.

Adjustment of metering lever for RB models

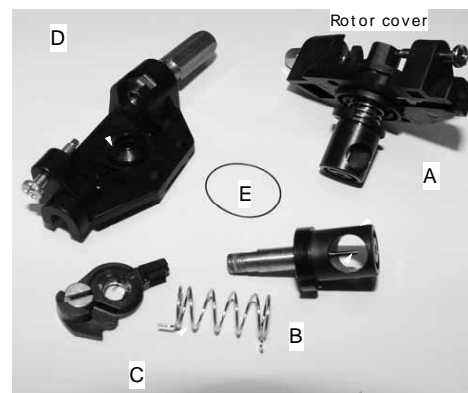
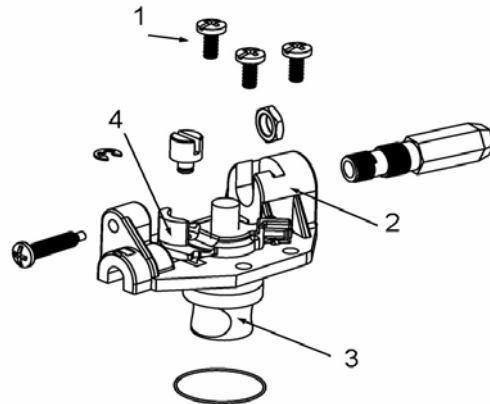


Free end of metering lever is about flush with the gasket flange of the carburetor body.

NOZZLE

- Nozzle Assembly cannot be removed.
- Clean with aerosol cleaner and compressed air.

ROTOR



1. Remove two rotor cover screws.
2. Remove rotor cover carefully.
3. Inspect rotor for damage. Rotor assembly should not be broken or worn. Areas to look for wear are A) rotor B) jet needle C) return spring D) boot E) O-ring.
4. Remove Rotor guide carefully. The plastic guide must be smooth and free from cracks or chipped edges.

CARBURETOR BODY

- Clean the carburetor body. Channels can be cleaned with aerosol cleaner and or compressed air. Do not use wires or drills to clean the orifices. Inspect the operation of the throttle valve and lever.

SERVICING THE SIMPLE START® SYSTEM:

Operation:

As the Start Pump receives the crankcase pressure and vacuum pulses, it begins to suck fuel from the metering chamber into the start pump, and spray it out of the injector hole in the throttle bore. As the engine warms up it does not need this extra fuel so it begins running richer and richer and begins to slow down. If Simple Start is left on, the engine will eventually get too rich and die.

Possible Failure Modes:

1) Will Not Start:

First make sure the rest of the carburetor functions properly. Do this by starting the engine either by choking it with your hand or priming it with some fuel through the carburetor throat. The Simple Start system is calibrated to work with the properly adjusted, properly operating carburetor. If the rest of the engine and carburetor operates properly, but the Simple Start pump is not delivering fuel, an easy initial check can be done.

While running the engine engage the start system. If the engine accelerates when the system is engaged and then gradually slows down and dies, the system is working. Occasionally the small passages in the starting circuit become clogged by small drops of oil or trash and running the engine will clear these obstructions. If running the engine does not fix the system then proceed with the diagnosis.

Make sure the crankcase pulse passages are open. Check the carb mount and gaskets to make sure no sealer or a mis-aligned gasket is blocking the pulse hole. Make sure the actuating system is functioning.

Inlet check valve; you should not be able to suck air back through it. The OUTLET check valve can also be tested in this way, however it contains a metering spring so you should not be able to suck or blow air easily through it.

If the check valves are not functioning properly, you can attempt to clean them by directing some spray carburetor cleaner through them. DO NOT BLOW COMPRESSED AIR THROUGH THEM. If the check valves cannot be cleaned, replace the start pump body.

The fuel pump gasket and diaphragm are serviceable parts. The gasket goes on next to the start pump body, with the diaphragm on top of it.

2) Starts but dies

The other possible failure mode is leaking. If the Simple Start pump does not shut off or if the outlet check valve becomes damaged the system will leak fuel and affect the carburetor mixture settings.

1) Is the pulse being shut off? It takes a very small amount of pulse to operate the pump. Make certain the levers controlling the simple start pulse are correctly positioned to completely shut off the pulse in the run mode.

2) Is the outlet check valve working? Again test the outlet check valve with a piece of primer hose. Gently blow through the check valve by mouth or with a carburetor pressure tester. The outlet check valve should offer resistance to airflow.

If the outlet check valve is sticking open, it can be cleaned with a spray carburetor cleaner. If cleaning does not fix it, replace the start pump body.

APPLICATION/CROSS REFERENCE



APPLICATION / CROSS REFERENCE

DOLMAR

MODEL	CARB	CUSTOMER P/N
PS-340	C1Q-DM1	028153700
MS-30 Brushcutter	C1U-DM4A-C	369153004
PS-34 C.S. w/primer	C1Q-DM6,A	036153010
PS-34 C.S. w/o primer	C1Q-DM7,A	036153252
PS-34 Chain Saw EPA	C1Q-DM8A-B	036153152
PS-34 Chain Saw	C1Q-DM9A-B	036153013
PS-34 Chain Saw	C1Q-DM10A-B	036153251
PS7900/PS6400 C.S.	C3M-DM11A-C	038153010
PS7900/PS6400 C.S.	C3M-DM11D	038153500
PS7900/PS6400 C.S.	C3M-DM12,A-B	038153020
181 Chain Saw	C1Q-DM13,A-B	181153012
181 Chain Saw w/Caps	C1Q-DM14,A	181153251
PS34 Chain Saw	C1Q-DM15	036153015
PS34 Chain Saw	C1Q-DM15A	036153016
PS34 Chain Saw	C1Q-DM16	036153254

ECHO

MODEL	CARB	CUSTOMER P/N
280E,EVLP/290E,EVLP	C1S-K1-A	125200-13932
CS-280E/EP	C1S-K1D	125200-13935
CS-330 EVL	C1S-K3D	125200-15135
GT-2100	C1U-K4	125200-42031
CS-4100,4600	C3-K5	125200-33330
CS-332	C1S-K6-B	125200-34531
HC-1600	C1U-K7-A	125200-04562
SHR-040	C1U-K8-A	125200-01611
SRM 1500,1501,2300	C1U-K9-A	125200-44730
HC-1500	C1U-K10A	125200-11521
PB-1000/1010	C1U-K11	125200-05061
SRM-2301/2310 GT-2103	C1U-K12	125200-47630
HC-2100,2300	C1U-K13	125200-07260
PB-1010	C1U-K14	125200-06361
AT-200G Trimmer	C1U-K15-B	125200-46731
SRM-2100/2110, SRS-2100, TT-21A	C1U-K16-A	125200-50631
HC-1500	C1U-K17	125200-05361
HC-2000	C1U-K18 C1U-K18A-B	125200-06960 125200-06962
J/D 21C,21S	C1U-K19	125200-51031
SRM-2501/2501S, SRM-2510	C1U-K20-A C1U-K20B-C	125200-51230 125200-51231
SRM-3000, J/D 30S	C1U-K21 C1U-K21A-B	125200-51330 125200-51331
J/D 38B, SRM3800	C1U-K22-A C1U-K23A-B	125200-51430 125200-52130
PB-4600	C1M-K24A-B	125200-08261
PB-6000	C1M-K25A-B	125200-08361
PB-1000, 1010, ES-1000	C1U-K26 C1U-K26A-B	125200-06860 125200-06861
SV-4/B	C1U-K27A	125200-11822
HC-1500,SV-4/B CULTI SV-4/B	C1U-K27B-D	125200-11823
WP-1000	C1U-K28A	125200-12621
GT-2000, PE-2000	C1U-K29-A	125200-48731
SRM-3550	C1U-K30-A	125200-52930
HC-2400/2410 ES-2000	C1U-K31A-B C1U-K32-A	125200-08963 125200-09460

ECHO (CONT'D)

MODEL	CARB	CUSTOMER P/N
CLS-5800	C3M-K33-D	125200-54433
SHR-2100	C1U-K34-A	125200-13210
HC1600/2000	C1U-K35-A	125200-07761
SRM2600	C1U-K36-A	125200-55230
PB-4600	C1M-K37D	125200-08563
SRM-2400/GT-2400	C1U-K39A-B	125200-53130
SRM-2100,GT-2000	C1U-K41A-B	125200-46831
PB-2100	C1U-K42B	125200-20561
ES-2100	C1U-K43B	125200-20661
ES-2400	C1U-K44B	125200-09561
HC 1500, 2000/2400	C1U-K45	125200-08460
SV-4/E,B	C1U-K46	125200-12820
HC 1600	C1U-K47	125200-49030
PB-602/603/610, PB-611, PB6000	C1M-K49-A C1M-K49B-C	125200-08661 125200-08664
HC-1500/1600/2000, HC-2400/2410,	C1U-K51	125200-05962
SRM2100, GT2000, GT2100, SHR2100	C1U-K52	125200-13312
SRM2015/2305/2455	C1U-K53	125200-52431
AT203G	C1U-K53A-B	125200-52432
TC2100, SV-4/E,B	C1U-K54A	125200-13123
WP1000	C1U-K55	125200-09921
PPT, PPSR-231	RB-K57A	A021000061
SRM, GT	RB-K57B	A021000062
GT2000,SRM2100/ SHR2100	C1U-K58	A021000110
AT203G	C1U-K59	
PV 230LN/PV 231LN	RB-K60,A	A021000131
ES-231	RB-K61	
SHREDDER VACUUM	RB-K61A	A021000141
ES 211 / PB 201	C1U-K62	A021000180
PE-231,PAS-231	RB-K63	A021000260
KCJ CS-5100	C1Q-K64,A	
PB-231LN	RB-K65,A	A021000350
GT200/201, SRM200,201,230,231	RB-K66,A-B	A021000380
HC-160/180/200, ES-230/231	RB-K67,A-B	A021000361
PB2100/ES2100	C1U-K68	A021000530
SRM230, 231	RB-K70,A	A021000720
ES-230, 231	RB-K71	A021000790
PB-230, 231	RB-K72	A021000780
SRM-4300	C1Q-K73,A	
CLS-580X European Saw	C3M-K74	
SRM230 Stringtrimmer	RB-K75	A021000740
PB-610, 620	C1M-K76	A021000770
PB-413 Blower	C1M-K77	A021000890
PS200/ES210 Blower	C1U-K78	A021000940
CS-5100 Chain Saw	C1Q-K79	A021001000
Clearing Saw	C3M-K80	A021000950
SRM-251 S Trimmer	C1U-K81A-B	A021001012
Cultivator	C1U-K82	A021001090
HCR-1500 HedgeClippers	C1U-K83	
SRM255 Trimmer	RB-K84	A021001200
ES255, PB-251 Blower	RB-K85	
Hedgecutter HC165,185, HCR-161ES,171ES	RB-K86	A021001450

APPLICATION / CROSS REFERENCE

ECHO (CONT'D)

MODEL	CARB	CUSTOMER P/N
SRM-220/GT-220	RB-K87	A021001460
Hedgetrimmer	RB-K88	P005000560
SRM-265ES Trimmer	RB-K89	A021001530
PB251,255/ES255 Blower	RB-K90	A021001590
HC-225,331ES,341ES HedgeCutter	RB-K91	A021001610
HCR-161ES,HCR-171ES	RB-K92	
SRM-225/GT-225 Trimmer	RB-K93	A021001690
SRM-265,265ES Trimmer	RB-K94	
SRM-230 Stringtrimmer	RB-K101	A021003450
PB-250 Blower	RB-K106	A021003660

EFCO/EMAK

MODEL	CARB	CUSTOMER P/N
JET 460 AVS	C1S-E1	2318411
JET 300,400	C1S-E2	2318381
	C1Q-E3	2318520
	C1Q-E4	2318541
935 F/DF	C1Q-E5,A,B	2318935
EFCO 8742	C1Q-E6A	2318930
EFCO 8300/8400	C1Q-E7,A	2318870
947/952 Chain Saw	C3-E8,A	2318925B
947/952 EPA Chain Saw	C3-E9,A	2318935B
EFCO 8300/8350/8400	C1Q-E10	2318688
EMAK Chain Saw	G1L-E11,A	P2320005
EMAK Trimmer	C1Q-E12	882320051

FUJI

MODEL	CARB	CUSTOMER P/N
EC-10	C3M-FJ1,A	106 62563 00
EC-12	C3M-FJ2,A	161 62401 00
	C3M-FJ3-C	161 62402 20
	C3M-FJ4	161 62405 00
	C3M-FJ5,A	161 62404 00
MFL 500X	C1M-FR1	541 60430 01
ROBIN BLOWER	C1M-FR1A	541 60430 02
	C1M-FR1B	541 60430 03
ECO 25 GA-2	RB-FR2,A	525 60690 00
ECO 22 GA-2	RB-FR3,A	525 60700 00
ECO 25 GA-2	RB-FR4	525 60770 00

FRADAN

MODEL	CARB	CUSTOMER P/N
30cc STRING TRIMMER	C1U-FD1	1230005550

HOMELITE

MODEL	CARB	CUSTOMER P/N
XL-12,SXL	C2-20-02,A	A94953
ST-100,120	C1S-H2A	A95628
330 (NON-ARTIC)	C1S-H3	A96421
240	C1S-H4A	A96352-A
	C1S-H4B-C	A96352-C
XL,XL-12,SUP-2	C2S-H5	A96481
	C2S-H5A	A96481-B
ST-80	C1S-H6A	A96631-A
330 (ARTIC)	C1S-H7	A96421-A
245	C1S-H8,A	A97167
ST-160A	C2S-H9	A97971

HOMELITE (CONT'D)

MODEL	CARB	CUSTOMER P/N
ST-155,175,285,385	C1U-H10	A00047-A
	C1U-H10A	A00047-B
	C1U-H10B-F	A00047-C
HB-180	C1U-H11A-E	A00382-C
	C1U-H11H-K	A00382-D
HT-17	C1U-H12,A	A00933
	C1U-H12B-D	A00933-B
BP-250	C1U-H13-E	A01768
250 CHAIN SAW	C1Q-H14A,B	A01808-A
300 CHAIN SAW	C3A-H15	A02528
	C3A-H15A	A02528-A
	C3A-H15B	A02528-B
200 CHAIN SAW	C1Q-H17	A02486
	C1Q-H17A,B	A01373
	C1Q-H17C-D	A01373-B
ST-155,175,285,385	C1U-H18-C	A02539
	C1U-H18D	07050
HBC-40	C1Q-H19A-C	A03893
250 CHAIN SAW	C1Q-H27	A06318
PLT3400,PBC3600/B	C1U-H28	A02606
SX 135	C1U-H29	07257
ELECTRIC START ST	C1U-H30	06587
	C1U-H30B	06587-A
ULTRA Trimmer	C1U-H31A-C	07344-A
CHAINSAW	C1Q-H32A	A09051
HEDETRIMMER	C1U-H33	A08157
33 -38CC CHAIN SAW	C1Q-H35	A07610
BLOWER	C1U-H36	A00382F
BACK PAC BLOWER	C1U-H37	A01768C
STRINGTRIMMER	C1U-H39,A	09031
HEDGETRIMMER	C1U-H40	09085
STRING TRIMMER	C1U-H41	07344C
33-38CC SAW	C1Q-H42	09156
33-38CC SAW NON EM	C1Q-H43	A09073
45CC CHAIN SAW	C1Q-H44	PA-00083
45CC C.S NON-EM	C1Q-H45	PA-00182
SIMPLE START® ST	C1U-H46,A	PS-02308
STRINGTRIMMER	C1U-H47	PS-02138
STRINGTRIMMER	C1U-H48,A	984416001
SIMPLE START® ST	C1U-H49	PS-02800
ECO TRIMMER	LE-H53	PS-03442
ECO-SIMPLE START® ST	LE-H54,A	PS-03919
ECO BLOWER	LE-H55	PS-06040
ECO BACKPACK BLOWER	LE-H56	PS-04467
38CC SAW	C1M-H57	PS-05058
45CC SAW	C1M-H58,A-C	PS-05057
45CC SAW	C1M-H58D	30807002
LE 30CC Trimmer	C1U-H60,A-E	985308001
Homelite Blower	C1U-H61,A	985609001
Homelite Trimmer	C1U-H62,A	308054004
40cc Chain Saw	C1Q-H64	308545001
45cc Chain Saw	C1M-H65	309364001

HONDA

MODEL	CARB	CUSTOMER P/N
B.C./S.T.	C1Q-SK8	N/A
B.C./S.T.	C1Q-SK10	N/A

APPLICATION / CROSS REFERENCE

HUSQVARNA

MODEL	CARB	CUSTOMER P/N
Husq 40,45,49	C1Q-EL1	5032831-01
Husq 365	C3M-EL2A-C	5032832-03
H45/49 SAW (US)	C1Q-EL5,A	5032831-04
H55/H51 SAW	C1Q-EL6	5032831-05
H55/H51 SAW (US)	C1Q-EL7	5032831-06
H365 (US)	C3M-EL8,A,B	5032832-04
240R, 245R, RX	C1Q-EL10	5032831-09
322L,C,R, 323L,325L	C1Q-EL11,A,B	5032831-10
323L,C, 325L, 326L	C1Q-EL12	5032831-11
325HS, HDA, HE	C1Q-EL13	5032831-12
323HD, 325R, 326R,	C1Q-EL14,A	5032831-13
H355/55CC Chain Saw	C3-EL15, A	5032832-05
H355/55CC C.S./EPA	C3-EL16, A	5032832-06
346XPT, 351, 353	C3-EL17, A-B	5032832-07
340,345,346XP,350, 351	C3-EL18, A-B	5032832-08
335 C.S. External Purge	C1Q-EL19A-C	5032831-14
335 C.S. Base Primer	C1Q-EL20A-C	5032831-15
343F, 345FX, FXT	C1Q-EL21,A	5032831-16
343R, 345RX	C1Q-EL22,A	5032831-17
R15 Trimmer	C1Q-EL23,A	5032831-18
R16 Home Pro Trimmer	C1Q-EL24,A	5032834-01
326 HS/HD Trimmer	C1Q-EL25,A	5032834-02
325 HS/HD Trimmer	C1Q-EL26,A	5032834-03
H356 BF/BP Blower	C1Q-EL27	5032831-19
P001 Airhead Chain Saw	C1M-EL28,A	5032833-01
P001 Airhead Chain Saw	C1M-EL28B	5773703-01
750 Airhead Saw	C3-EL29,A-C	5032832-09
R18 Airhead Trimmer	C1Q-EL30,A-B	5032831-20
P901 Chain Saw	C3-EL32	5032832-10
External Purge Chain Saw	C1Q-EL33,A	5441124-01
Base Primer Chain Saw	C1Q-EL34	5441125-01
Chain Saw	C1M-EL35	5443129-01
R18 Airhead Trimmer	C1Q-EL36	5443256-01
R18 Airhead Trimmer	C1Q-E36A-B	5040534-01
Airhead Chain Saw	C1M-EL37,A-B	5064504-01
R25 Stringtrimmer	C1Q-EL38	5013269-01
R25 Stringtrimmer	C1Q-EL39,A	5013270-01
B096 CS without module	C1M-EL40A	5159909-01
B096 CS with module	C1M-EL40B	5159909-01
B096 CS with module	C1M-EL40C	5753905-01
B096 CS with module	C1M-EL40D	5764513-01
B096 CS with module	C1M-EL40E	5766941-01
B096 CS with module	C1M-EL40G	5773704-01
Airhead Chain Saw	C1T-EL41A	5064505-01
P954/EPA Chain Saw	C3-EL42	5052030-01
K750 Chain Saw	C3-EL43,A	5101812-02
Chain Saw with module	C1M-EL44	5225208-01
B180, RB-235 FR Trimmer	C1Q-EL45	5757290-01

JONSERED

MODEL	CARB	CUSTOMER P/N
2041, 2045, 2050	C1Q-EL1	503-28-31-01
2065, 2165	C3M-EL2A-C	503-28-32-01
2045, 2050 (US)	C1Q-EL5A	503-28-31-04
2065, 2165 (US)	C3M-EL8B	503-28-32-04
RS44	C1Q-EL10	503-28-31-09
GT2125, GC2125	C1Q-EL12	503-28-31-11
BC2125	C1Q-EL14	503-28-31-13
2149, 2152	C3-EL17	503-28-32-07
2141, 45,49, 50, 52	C3-EL18	503-28-32-08

LAWNBOY

MODEL	CARB	CUSTOMER P/N
61620,61638 TRIMMER	C1U-P10,A	6150
61653 TRIM/BRSHCTR	C1U-P11,A	6149
	C1U-P11B	6991

LESCO

MODEL	CARB	CUSTOMER P/N
LST2100	C1U-K16A	024513
LST24501/LHE2475	C1U-K23B	022516
LBB4200	C1M-K24B	018745
LHB2100	C1U-K26B	063388
LHD1700	C1U-K27C	053486
LHS3050/4050	C1U-K31B	019256
B.C./S.T	C1Q-SK9	450066
H.T./ EDGER/S.T./B.C.	C1U-SK12	450098
LBH2500	C1U-SK13	451092

MCCULLOCH

MODEL	CARB	CUSTOMER P/N
PM-610	C2S-19-01	95763
SP81, PM850, PM800	C2-20-01A	213823
PM-300	C1-M2B	94496
SP-81, PM850, PM800	C2-M3A	214763
MAC 60A, 80A	C1S-M8	215494
PRO PUMP	C1S-M9	217149
BLOWER/VAC	C1S-M12	218647
BLOWER	C1S-M13	219205
MAC 60,80	C1U-M16	22209-01
	C1U-M20	222507
28/32CC BLOWER	C1U-M21,A-C	323704-01
32CC CHAINSAW	C1Q-M27,A	224832-01
	C1Q-M27C-D	323652-03
35CC CHAINSAW	C1Q-M28,A	322172-01
	C1Q-M28D	323653-03
28/32CC TRIMMER	C1U-M29-B	224033-03
	C1U-M29C-E	323602-03
HEDGETRIMMER	C1U-M32A-B	323708-03
38CC CHAINSAW	C1Q-M33,A	322202-01
	C1Q-M33D	323654-03
28/32CC BLOWER	C1U-M35A	322410-01
38CC CHAINSAW	C1Q-M36,A	324947-01
32CC ST/BC	C1U-M37,A	325121-00

MCCULLOCH ITALY/HUSQVARNA

MODEL	CARB	CUSTOMER P/N
730	C1Q-M24	229738
735	C1Q-M25	229739
740 38 cc SAW	C1Q-M26	229990
32 CC CHAIN SAW	C1Q-M27D	323652-03
MC-4,5	C1Q-M31	240013
HEDGETRIMMER	C1U-M32C	242813
D25 ST	C1U-M38	241824
PRO MAC 40/46 Saw	C1Q-M39	242062
D25 String Trimmer	C1U-M40	242933
Cabrio 320/380 STrimmer	C1Q-M41	242950
HEDGETRIMMER	C1U-M42	242997
543 Chain Saw	C1Q-M43	242892
C5010 Chain Saw	C1Q-M44	243201
HEDGETRIMMER	RC1-M45	242498
HEDGETRIMMER	RC1-M46	243667
Spreme Brushcutter	RC2-M47	243086
Elite Brushcutter	RC2-M48	243127

APPLICATION / CROSS REFERENCE

mitsubishi

MODEL	CARB	CUSTOMER P/N
TO-85	C1U-D1B	KK21022BA

OLEO MAC

MODEL	CARB	CUSTOMER P/N
350 SAW	C2-L1,A	2318540
730/740	C1Q-E7	2318870
730/735/740	C1Q-E10	2318688

PARTNER

MODEL	CARB	CUSTOMER P/N
400, 410, 450, 460, 490, 510	C1Q-EL1	
K750 Airhead Saw	C3-EL29	5032832-09

POULAN/WEED EATER

MODEL	CARB	CUSTOMER P/N
SUPER 25 CHAIN SAW	C1Q-W2A	530-035265
GAS HEDGE TRIMMER: WEEDEATER Aust 180, SEARS 79539, SEARS 795690, SEARS 22" 79533, WEEDEATER 180 Excalibur, WEEDEATER 220 Excalibur, SEARS 22" 79566, SEARS Can 51832 22", WEEDEATER GHT 22", SEARS 79564 19" , SEARS 79653 22", HUSQ 18H US,	C1U-W4A-E	530-035411
WEEDEATER 17" , POULAN PRO 22, HUSKY 18H 22", PARTNER HG55 22", FLYMO HTL 480, JONS HT21 19",	C1U-W4A-E	530-035411
GAS TRIMMER: WEEDEATER F'Lite, PARTNER F'Lite, WEEDEATER F'Lite FL21, Bricomarche CB21 F'Lite, WEEDEATER F'Lite FL21 16", WEEDEATER F'Lite PluS 17", WEEDEATER Aust WildThing, TRIMAC 210 GT Export, WEEDEATER F'Lite SST 17", PARTNER Colibri SST, SEARS Can 48" 16" GT, WEEDEATER XT200 F'Lite	C1U-W7,A-C C1U-W7D	530-035464 530-035571
WOOD SHARK CHAINSAW PATRIOT 1900 SAW	C1Q-W8	530-035489
SEARS 2.6 18" LE SAW, POULAN 2250 LE 18", POULAN PRO 260 18" LE CA POULAN 2250 18" LE CA	C1Q-W9 C1Q-W9A-E	530-035490 530-035531

POULAN/WEED EATER (CONT'D)

MODEL	CARB	CUSTOMER P/N
GAS TRIMMER: SEARS 17" 25cc, SEARS 17" TNE 25cc, WEEDEATER TE400LE, POULAN TE450CXL, WEEDEATER F'Lite SST LE, WEEDEATER F'Lite LE, WEEDEATER F'Lite Plus LE, WEEDEATER FL21	C1U-W10 C1U-W10B-C	530-054957 530-035569
GAS BLOWER: WEEDEATER BV200 LB 25, WEEDEATER BV200 LE, WEEDEATER BV1850 LE, WEEDEATER BV1800 LE, WEEDEATER BV2000 LE, SEARS 79755 25,7943025, SEARS 79455 25, 79730 25, SEARS 79434 25, SEARS CAN 24cc, WEEDEATER Aust BV1800, WEEDEATER BV1800, POULAN PRO BVM 200LE	C1Q-W11,A-B C1Q-W11C-G	530-035503 530-035562
F'LITE GAS BLOWER: WEEDEATER LF-1500LE, SEARS 79420 25cc	C1U-W12 C1U-W12A-B	530-035512 530-035570
GAS HEDGE TRIMMER: WEEDEATER GHT 180 LE, SEARS 79570, WEEDEATER GHT220 LE, SEARS 79633 25 22" LE	C1U-W13 C1U-W13A-B	530-035513 530-035572
36/42 LE CSI Non AV saw	C1Q-W14 C1Q-W14A	530-035516 530-035535
25 CC LE Clutch	C1U-W16B-C	530-035574
25 CC SIMPLE START®	C1U-W17,A	530-035575
LE 25cc Non-Clutch F'Lite	C1U-W18,A	530-035591
LE Non-Clutch Trimmer	C1U-W19	530-035592
LE-CSI Non-AV/AV Chain Saw	C1Q-W20,A-B	530-057478
CSI Hedgetrimmer	C1U-W22	530-035599
LE Sears Non-Clutch Trimmer	C1U-W24	530-035603
CSI Airhead	C1M-W26,A-C	530-035590
P-600 Chain Saw	C1Q-W29,A-E	530-035607
28cc Trimmer	C1Q-W31,A-B	530-035597
RS32 Trimmer	C1U-W32,A	530-039235
Airhead Hobby Saw	C1T-W33A-B	545-072601
Airhead Hobby Saw	C1T-W33C	574-719402
28cc Trimmer	C1Q-W34,A	545-082601
28cc Trimmer	C1Q-W35,A	545-086602
28cc Brushcutter	C1Q-W36,A	545-086601
AirHead Hobby Chain Saw	C1T-W33,A	545-072601
Blower	C1Q-W37	545-102601
28cc Trimmer	C1Q-W38	545-129001
28cc ROW Trimmer	C1Q-W39	545-128001
28cc Brushcutter	C1Q-W40,A	545-130001
28cc ROW Brushcutter	C1Q-W41,A	545-131001
VS-2 Blower	C1U-W43,A-B	545-135903

APPLICATION / CROSS REFERENCE

POULAN/WEED EATER (CONT'D)

MODEL	CARB	CUSTOMER P/N
33cc Airhead Stringtrimmer	C1M-W44	545-189502
VS-2 Blower Poulan Pro	C1U-W45	545-135904
Blower	C1U-W46	545-197501
50cc Chain saw	C1M-W47	573-952201
RB25 Stringtrimmer	C1U-W49	576-694301

RED MAX (KOMATSU ZENOAH)

MODEL	CARB	CUSTOMER P/N
G300 AVS	C1S-Z1-D	02631-810040000
BC25000	C1Q-Z4	848-H70-8101
BC24500	C1Q-Z5	848-GD0-8101
GZ4000 Chain Saw	C1Q-Z6	848-C50-8101

RYOBI/MTD (SEE IDC)

MODEL	CARB	CUSTOMER P/N
JF 25cc BackPack Blower	RB-JF1	9287-MD1502
280R, 310R, 310 BVR, 410R, 700R, 710R, 760R, 765R	C1U-P6A	5438
790R, 780RB, 780RE	C1U-P7	5439
AC1 4 CYCLE, 975R, 990R	C1Q-P8	9312
700R, 704R, 705R, 725R	C1U-P10 C1U-P10A	6150 6150
740R, 750R, 752R	C1U-P11-B	6991
MULCHINATOR	C1U-P12,A	7420
A-31	C1U-P14,A	10068
LE EPA TRIMMER	C1U-P17	792-10525
LE TWIST START®	C1Q-P18,A	792-10629
LE EPA TRIMMER	C1U-P21,A-B	792-10525A
LE EPA TWIST START®	C1Q-P22,A-C	792-10629A
LE EPA TRIMMER	C1U-P23	793-00009
TWIST START® Trimmer	C1Q-P24	793-00010
Cub Cadet 3075 Trimmer	RB-P25	9287-MD1501
TWIST START® Trimmer	C1Q-P26,A-C	793-00020
Simple Start® Trimmer	C1U-P27	751-11244

SERVISTAR

MODEL	CARB	N/A
365SSR, 375SSR	C1U-P6A C1U-P7	5438 5438
LIMIT CAP MODELS	C1U-P10,A C1U-P11,A C1U-P11B	6150 6149 6991

SHIBAURA

MODEL	CARB	CUSTOMER P/N
M35D	C1Q-SK8 C1Q-SK9	130104221 130104270 (1)
M45D/M40D	C1Q-SK10	130104311
M23D BRUSH CUTTER	C1U-SK11	130104370 (1)
M26D BRUSH CUTTER	C1U-SK12	130104380
M26D BLOWER	C1U-SK13,A	130104360
M36D HEDGE TRIMMER	C1U-SK14	130104440
M57D	C1Q-SK15	130104460
KB45	C1Q-SK16	130104470
ME26D	C1U-SK17	130104550
M23D BRUSH CUTTER	RB-SK18,A	130104570

SINGER (SEE RYOBI)

MODEL	CARB	CUSTOMER P/N
GTS2816, GC31	C1U-P6A	5438
GBC2818	C1U-P7	5439
LIMIT CAP MODELS	C1U-P10,A C1U-P11,A-B	6150 6991

SNAPPER

MODEL	CARB	CUSTOMER P/N
P212-CST	C1S-M8 C1U-M20	N/A N/A
P212,213,215	C1U-M16	N/A

SOLO

MODEL	CARB	CUSTOMER P/N
644	C3A-G1,A	2300617A

STIHL

MODEL	CARB	CUSTOMER P/N
FS-106	C1S-SK1 C1S-SK2	4132 120 0602 4132 120 0602
FS-108, BT106	C1Q-SK4	4132 120 0602
FS106, FS108, BT106	C1Q-SK5	4132 120 0602
BR106	C1Q-SK6,A	4222 120 0600
FS108 (CARB)	C1Q-SK7	4135 120 0601
009, 010, 011, 012	C1S-S1-C	1120 120 0605
FS160, FS180	C1S-S2	4119 120 0601
FS220/280	C1S-S3-G	4119 120 0602
034 SUPER	C3A-S4-C	1125 120 0604
044 (EARLY)	C3M-S5-G	1128 120 0601
TS 350S	LA-S6,A	4201 120 0602
TS 360 AVS	LA-S7,A	4201 120 0603
08S	LA-S8,A	1108 120 0608
070/090	LB-S9,A	1106 120 0610
021, 023, 025	C1Q-S11C-G	1123 120 0600
044	C3M-S12A,B	1128 120 0603
020T	C1Q-S16A	1129 120 0601
034	C3A-S19	1125 120 0606
044	C3M-S20	1128 120 0617
044 AUTO CHOKE	C3M-S21	1128 120 0615
044 P.T.C.CARB HTG	C3M-S22	1128 120 0616
044 CARB HEATING	C3M-S23	1128 120 0616
	C3M-S24	1128 120 0618
034 THERMOSTAT	C3A-S25	1125 120 0607
	C3A-S26	1125 120 0608
036 ARCTIC	C3A-S27-D	1125 120 0609
FH75, FC75, HL75, FS75, FS75/80/85, HT70/75	C1Q-S28-D	4137 120 0600
HS75/80/85	C1Q-S29-C	4226 120 0602
BG75	C1Q-S30-C	4227 120 0602
034, 034, 036, MS360	C3A-S31-E	1125 120 0613
CHAIN SAW	C1Q-S32	1129 120 0603
FS450	C1Q-S33-B	4128 120 0601
FS400/450	C1Q-S34-H	4128 120 0602
FS300/350	C1Q-S35-B	4134 120 0600
FS300/350	C1Q-S36-G	4134 120 0601
019T CHAIN SAW	C1Q-S37-B	1132 120 0602
034 CHAIN SAW	C3A-S38-B	1125 120 0617

APPLICATION / CROSS REFERENCE

STIHL (CONT'D)

MODEL	CARB	CUSTOMER P/N
036 PRO, MS360, 036QS	C3A-S39-B	1125 120 0615
FS4137 S.T.	C1Q-S41-B	4137 120 0602
HS75/80/85	C1Q-S42-B	4226 120 0604
017, 018	C1Q-S43-B	1130 120 0601
FC55, FS46, FS55, HL45	C1Q-S44,A	4140 120 0600
FC85, FH75, FC75, HT75 HT75, HL75 ,FS75, FS80 FS80, FS85, HT70/75	C1Q-S45	4137 120 0603
019T CHAIN SAW	C1Q-S46-B	1132 120 0603
BG4227	C1Q-S47	4227 120 0604
BG45/46/55	C1Q-S48,A	4229 120 0601
HS45	C1Q-S49-B	4228 120 0600
BG55/65/85,SH55/85	C1Q-S50	4229 120 0600
FS120/200/250, FS300	C1Q-S51-D	4134 120 0602
036	C3A-S52	1125 120 0612
FS46, FS55, HL45	C1Q-S53,A	4140 120 0601
4228	C1Q-S54	4228 120 0601
BG55/65/85,SH55/85	C1Q-S55	4229 120 0604
FH75,FC75,HT75,HL75 FS75/80/85, HT70/75	C1Q-S56	4137 120 0604
017, 018	C1Q-S57-B	1130 120 0603B
FS55	C1Q-S58	4140 120 0610
MS191T	C1Q-S59,A	1132 120 0604
25 CC ST / BRAZIL	C1Q-S60	4137 120 0607
1129 CHAIN SAW	C1Q-S61-E	1129 120 0605F
4140 CA Version	C1Q-S62	4140 120 0602
FS75/80/85, HT70/75	C1Q-S63,A	4137 120 0606
BG45/46/55,SH55/85	C1Q-S64	4229 120 0603
MS360	C3A-S65	1125 120 0614
EMU ST FS45/46/55	C1Q-S66	4140 120 0603
4228 EMU HS45	C1Q-S67	4228 120 0603
4229 BG85 BLOWER	C1Q-S68-D	4229 120 0606E
4137 EMU TRIMMER	C1Q-S69A	4137 120 0608A
HS45 HEDGETRIMMER	C1Q-S70,A	4228 120 0606A
4140 FS55 TRIMMER	C1Q-S71	4140 120 0606A
4180 4 CYCLE TRIMMER	C1Q-S72,B	4180 120 0600A
4229 BG45	C1Q-S73	4229 120 0605A
4314 BT45 (DRILL)	C1Q-S74-D	4314 120 0601A
MS250 SAW US W/Primer	C1Q-S75-B	1123 120 0602A
MS250 SAW US No/Primer	C1Q-S76-B	1123 120 0603A
1123 MS210 SAW U.S.	C1Q-S77-B	1123 120 0604A
4137 EMU Trimmer/Brazil	C1Q-S78	4137 120 0609A
4601 EMU Mini-Tiller	C1Q-S79	4140 120 0607C
EMU Stringtrimmer	C1Q-S80-C	4137-120-0611D
4180 EMU TRIMMER	C1Q-S81	4180 120 0602A
FS120, FS300	C1Q-S82	4134-120-0603A
FS200, FS250, FS350	C1Q-S83	4134-120-0604A
MS230/250 EU	C1Q-S84-C	1123-120-0606C
MS230/250 EU	C1Q-S85-C	1123-120-0607C
MS210 EU	C1Q-S86-C	1123-120-0608C
MS210 EU	C1Q-S87-C	1123-120-0609C
4180 4 CYCLE TRIMMER	C1Q-S88	4180-120-0603A
MS210 ESC/EU Saw	C1Q-S89-C	1123-120-0618C
MS210 ESC/EU Saw /US	C1Q-S90-B	1123-120-0619A
MS230/250 EU Chain Saw	C1Q-S91,A	1123-120-0617B
MS230/250 US Chain Saw	C1Q-S92,A	1123-120-0620B
4601 MM55 Tiller	C1Q-S93	4140-120-0609A

STIHL (CONT'D)

MODEL	CARB	CUSTOMER P/N
EMU 40,45,48cc Trimmer	C1Q-S94	4128-120-0603A
FS38 Stringtrimmer	C1Q-S95	4140-120-0611A
MS200 Chain Saw	C1Q-S96,A-B	1129-120-0607E
FS38 S Trimmer	C1Q-S97,A	4140-120-0612B
FS130R Trimmer	C1Q-S98-B	4180-120-0601C
BR500 Blower	C1Q-S99,A	4282-120-0603A
BR600 Blower	C1Q-S100,A	4282-120-0604A
BR550 Blower	C1Q-S101,A	4282-120-0605A
MS210 ESC/AUS Saw	C1Q-S102,A	1123-120-0624A
1137 Saw	C1Q-S103	1137-120-0600A
1137 Saw	C1Q-S104	1137-120-0602A
4237 Hedge Trimmer	C1Q-S105	4237-120-0601A
MS210 Ergo Saw	C1Q-S106,A	1123-120-0625A
MS250 Ergo Saw	C1Q-S107,A	1123-120-0626A
Top Handle Saw	C1Q-S108,A	1129-120-0608B
Rear Handle Saw	C1Q-S109,A	1129-120-0609B
4 Cycle FS90 Trimmer	C1Q-S110-C	4180-120-0604C
4237 Hedge Trimmer	C1Q-S111	4237-120-0603A
BG45 Hand Held Blower	C1Q-S112,A	4229-120-0607A
FS4128 Trimmer	C1Q-S113	4128-120-0604A
FS130R Stringtrimmer	C1Q-S114	4180-120-0605A
Hedge Trimmer	C1Q-S115-B	4237-120-0604B
Hedge Trimmer	C1Q-S116,A	4237-120-0605A
48cc Stringtrimmer	C1Q-S117	4128-120-0605A
Disc Cutter	C1Q-S118-C	4238-120-0600D
Chain Saw	C1Q-S119-B	1139-120-0601D
Chain Saw	C1Q-S120-B	1139-120-0602D
Chain Saw	C1Q-S121-B	1139-120-0605D
Chain Saw	C1Q-S122-B	1139-120-0606D
Chain Saw	C1Q-S123-B	1139-120-0607D
Rear Handle Chain Saw	C1Q-S124,A	1137-120-0603C
Chain Saw	C1Q-S125	1137-120-0605A
Top Handle Chain Saw	C1Q-S126,A	1129-120-0610B
Rear Handle Chain Saw	C1Q-S127,A	1129-120-0611B
Top Handle Chain Saw	C1Q-S128,A	1129-120-0612B
Rear Handle Chain Saw	C1Q-S129,A	1129-120-0613B
FS130R Stringtrimmer	C1Q-S130-B	4180-120-0607C
FS90 4 Cycle Trimmer	C1Q-S131-B	4180-120-0608C
FS130R Stringtrimmer	C1Q-S132-B	4180-120-0609C
FS310 Stringtrimmer	C1Q-S133,A	4180-120-0606B
Chain Saw	C1Q-S134	1137-120-0600B
Chain Saw	C1Q-S135	1137-120-0602B
Chain Saw	C1Q-S136	1137-120-0603B
Chain Saw	C1Q-S137,A	1130-120-0606B
FS120/300 Trimmer	C1Q-S138	4134-120-0605A
FS250/350 Trimmer	C1Q-S139	4134-120-0606A
Hedge Trimmer	C1Q-S140,A	4237-120-0606C
Blower	C1M-S141-D	4241-120-0600E
Blower	C1M-S142-D	4241-120-0601E
FS55 Trimmer	C1Q-S143	4140-120-0614A
BG66 Blower	C1M-S144-B	4241-120-0602D
Split Trimmer	C1M-S145-B	4144-120-0600C
Split Trimmer	C1M-S146-B	4144-120-0601B
Chain Saw	C3-S148	1119-120-0605B
Chain Saw	C3-S149	1119-120-0606B
EMU HS45 Hedgetrimmer	C1Q-S150	4228-120-0607A
BG86 Blower	C1M-S151-B	4241-120-0603C

APPLICATION / CROSS REFERENCE

STIHL (CONT'D)

MODEL	CARB	CUSTOMER P/N
1130 Chain Saw	C1Q-S152	1130-120-0608A
FS310 Stringtrimmer	C1Q-S153	4140-120-0616A
Brushcutter	C1Q-S154	4128-120-0607A
Brushcutter	C1Q-S155	4128-120-0608A
Brushcutter	C1Q-S156	4128-120-0609A
EMU Stringtrimmer	C1Q-S157	4137-120-0614A
Brushcutter	C1Q-S159	4128-120-0606B
FS55 Trimmer	C1Q-S160	4140-120-0617A
Brushcutter	C1Q-S161	4134-120-0607A
Brushcutter	C1Q-S162	4134-120-0608A
Back Pack Sprayer	C1Q-S165	4244-120-0602A
Back Pack Sprayer	C1Q-S166	4244-120-0604A
Disc Cutter	C1Q-S167,A	4238-120-0601B
TS360 AVS Drill Tools	LA-S168	4308-120-0600A
EMU HS45 Hedgetrimmer	C1Q-S169	4228-120-0608A
EMU HS45 Hedgetrimmer	C1Q-S170	4228-120-0609A
SP90 Stringtrimmer	C1Q-S171,A	4229-120-0600B
MS261 Chain Saw	C1Q-S178,A-C	1141-120-0600E
MS261 Chain Saw/purge	C1Q-S179,A-C	1141-120-0602E
MS261 Chain Saw/thermo	C1Q-S180,A-C	1141-120-0604E
BR500 BP Blower	C1Q-S183	4282-120-0606A
BR600 BP Blower	C1Q-S184	4282-120-0607A
BR550 BP Blower	C1Q-S185	4282-120-0608A
FS38 Stringtrimmer	C1Q-S186	4140-120-0619A
FS38 Stringtrimmer	C1Q-S187	4140-120-0620A
FS38 EU Brushcutter	C1Q-S190	4140-120-0618A
Airhead Chain Saw	C1Q-S191	1139-120-0608A
Airhead Chain Saw	C1Q-S192	1139-120-0609A

ZENOAH

MODEL	CARB	CUSTOMER P/N
GZ4000 Chain Saw	C1Q-Z6,A	848-C50-8102
GZ4000 Chain Saw	C1Q-Z7,A	848-C56-8101

TECHNIC TOOL

MODEL	CARB	CUSTOMER P/N
POWER PRUNER	C1U-M16	N/A

TORO

MODEL	CARB	CUSTOMER P/N
TRIMMERS	C1U-M16	N/A
51620	C1U-P6A	5438

TRIM-RITE

MODEL	CARB	CUSTOMER P/N
TR-2217C	C1U-M16	N/A

TURFPOWER

MODEL	CARB	CUSTOMER P/N
280TP, 310BVTP	C1U-P6A	5438
780TP	C1U-P7	5439
LIMIT CAP MODELS	C1U-P10,A	6150
LIMIT CAP MODELS	C1U-P11,A-B	6991

U.S. ENGINES

MODEL	CARB	CUSTOMER P/N
UTILITY ENGINE	C1U-U1	N/A

YANMAR

MODEL	CARB	CUSTOMER P/N
BRUSH CUTTER	C1Q-SK8	N/A
B.C./S.T.	C1Q-SK10	N/A

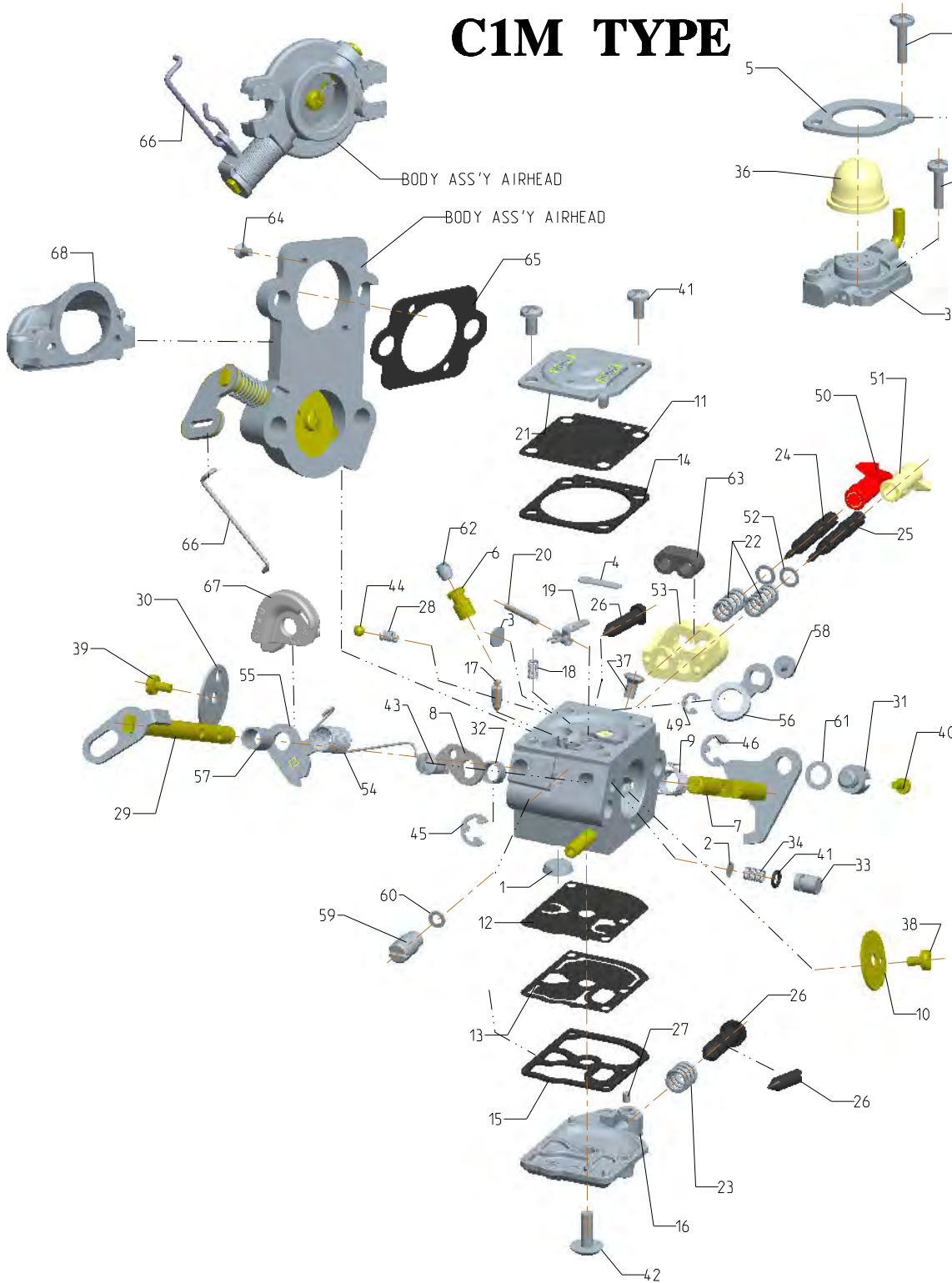
PARTS LIST



C1M TYPE

* THIS ILLUSTRATION DOES NOT REPRESENT EVERY MODEL. THIS IS INTENDED FOR A GENERIC REFERENCE ONLY.

C1M TYPE



REF.NO.	PART NAME
	BODY ASS'Y, AIRHEAD
1	STRAINER
2	STRAINER
3	PLUG, WELCH
4	PLUG, WELCH
5	RETAINER, SYRINGE
6	NOZZLE ASS'Y, CHECK VALVE
7	SHAFT ASSEMBLY, THROTTLE
8	LEVER, THROTTLE
9	SPRING, THROTTLE RETURN
10	VALVE, THROTTLE
11	DIAPHRAGM ASS'Y, METERING
12	DIAPHRAGM, PUMP
13	DIAPHRAGM, PUMP
14	GASKET, METERING CHAMBER
15	GASKET, PUMP
16	COVER, PUMP
17	VALVE, INLET NEEDLE
18	SPRING, METERING LEVER
19	LEVER, METERING
20	PIN
21	COVER, METERING CHAMBER
22	SPRING, ADJUST SCREW
23	SPRING, ADJUST SCREW
24	SCREW, MAIN MIXTURE
25	SCREW, IDLE MIXTURE
26	SCREW, THROTTLE ADJUST
27	PIECE, FRICTION
28	SPRING, FRICTION
29	SHAFT ASS'Y, CHOKE
30	VALVE, CHOKE
31	POST
32	COLLAR
33	PLUNGER
34	SPRING, PLUNGER RETURN
35	BASE ASSEMBLY, PRIMER
36	SYRINGE
37	SCREW (PIN)
38	SCREW (THROTTLE VALVE)
39	SCREW (CHOKE VALVE)
40	SCREW (POST)
41	SCREW (METERING COVER)
42	SCREW (PUMP COVER)
43	SCREW (THROTTLE LEVER)
44	BALL, STEEL
45	E-RING (THROTTLE SHAFT)
46	E-RING (POST)
47	O-RING (PLUNGER)
48	SCREW, RETAINER
49	E-RING(CHOKE SHAFT)
50	LIMITER, MIXTURE (H)
51	LIMITER, MIXTURE (L)
52	WASHER (LIMITER)
53	RETAINER (LIMITER)
54	SPRING, CHOKE
55	LEVER, CHOKE CONTROL
56	LEVER, CHOKE
57	COLLAR, CHOKE SHAFT
58	SCREW, CHOKE SHAFT
59	GOVERNOR ASS'Y
60	W ASHER (GOVERNOR)
61	W ASHER (POST)
62	REMOTE JET
63	BOOT, RETAINER
64	SCREW
65	GASKET, AIRHEAD
66	ROD LINKAGE, AIRHEAD
67	LEVER, THROTTLE AIRHEAD
68	BODY, AIRHEAD

PARTS LIST

C1M TYPE

REF	PART NAME	C1M EL28.A	C1M EL28B	C1M EL35	C1M EL37.A-B	C1M EL40A-C	C1M EL40D-E	C1M EL40G
	Venturi	13.5mm	13.5mm	11 mm	11mm	13.5mm	13.5mm	13.5mm
★	Rebuild Kit	RB-130	RB-130	RB-144	RB-145	RB-154	RB-154	RB-154
●	Gasket & Diaphragm Kit	★ GND-71	★ GND-71	★ GND-80	★ GND-81	★ GND-87	★ GND-87	★ GND-87
▲	Cover Kit, Pump	K017080	K017080	K017088	K017080	-----	-----	-----
■	Base Kit, Primer	-----	-----	-----	-----	-----	-----	-----
	Body Ass'y, Airhead	A088003	A088003	A088006	A088010	A088003	A088003	A088003
1	Strainer	★ 0004011	★ 0004011	★ 0004011	★ 0004011	★ 0004011	★ 0004011	★ 0004011
2	Strainer	-----	-----	-----	-----	-----	-----	-----
3	Plug, Welch	-----	-----	★ 0005004	★ 0005004	★ 0005005	★ 0005005	★ 0005005
4	Plug, Welch	★ 0005004	★ 0005004	0005009	0005009	-----	-----	-----
5	Retainer, Syringe	-----	-----	-----	-----	-----	-----	-----
6	Nozzle Ass'y, Check Valve	A007212	A007212	A007240	A007239	A007239	A007702	A007702
7	Shaft Ass'y, Throttle	A011218	A011704	A011243	A011258	A011218	A011218	A011706
8	Lever, Throttle	0012189	0012189	0012261	-----	0012189	0012189	0012189
9	Spring, Throttle Return	0013095	0013095	0013095	0013129	0013095	0013095	0013095
10	Valve, Throttle	0014120	0014120	0014120	0014134	0014133	0014133	0014133
11	Diaphragm Ass'y, Metering	★● A015016	★● A015016	★● A015019	★● A015050	★● A015064	★● A015064	★● A015064
12	Diaphragm, Pump	★● 0015047	★● 0015047	★● 0015047	★● 0015047	★● 0015047	★● 0015047	★● 0015047
13	Diaphragm, Pump	0015080	0015080	-----	-----	★● 0015080	★● 0015080	★● 0015080
14	Gasket, Metering Chamber	★● 0016035	★● 0016035	★● 0016035	★● 0016035	★● 0016098	★● 0016098	★● 0016098
15	Gasket, Pump	★● 0016033	★● 0016033	★● 0016033	★● 0016033	★● 0016033	★● 0016033	★● 0016033
16	Cover, Pump	▲ A017046	▲ A017046	▲ 0017091	▲ A017046	A017052	A017046	A017046
17	Valve, Inlet Needle	★ 0018004	★ 0018004	★ 0018004	★ 0018004	★ 0018004	★ 0018004	★ 0018004
18	Spring, Metering Lever	★ 0019011	★ 0019011	★ 0019015	★ 0019011	★ 0019011	★ 0019011	★ 0019011
19	Lever, Metering	★ 0020012	★ 0020012	★ 0020012	★ 0020012	★ 0020012	★ 0020012	★ 0020012
20	Pin	★ 0021001	★ 0021001	★ 0021001	★ 0021001	★ 0021001	★ 0021001	★ 0021001
21	Cover, Metering Chamber	0028039	0028039	0028039	0028039	-----	-----	-----
22	Spring, Adjust Screw	-----	-----	-----	-----	-----	-----	-----
23	Spring, Adjust Screw	-----	-----	-----	-----	-----	-----	-----
24	Screw, Main Mixture	0030199	0030199	0030190	0030250	-----	-----	-----
25	Screw, Idle Mixture	0031225	0031225	0031198	0031251	-----	-----	-----
26	Screw, Throttle Adjust	▲ 0035079	▲ 0035079	▲ 0035079	▲ 0035079	-----	0035079	0035079
27	Piece, Friction	▲ 0036001	▲ 0036001	▲ 0036001	▲ 0036001	-----	0036001	0036001
28	Spring, Friction	0038001	0038001	0038001	-----	0038001	0038001	0038001
29	Shaft Ass'y, Choke	A041108	A041108	A041121	A041129	A041108	A041108	A041108
30	Valve, Choke	0043010	0043010	0043067	0043071	0043075	0043075	0043075
31	Post	-----	-----	-----	-----	-----	-----	-----
32	Collar	-----	-----	0052013	0052002	-----	-----	-----
33	Plunger	-----	-----	-----	-----	-----	-----	-----
34	Spring (Plunger Return)	-----	-----	-----	-----	-----	-----	-----
35	Base Ass'y, Primer	-----	-----	-----	-----	-----	-----	-----
36	Syringe	-----	-----	-----	-----	-----	-----	-----
37	Screw (Pin)	14803006	14803006	14803006	14803006	14803006	14803006	14803006
38	Screw (Throttle Valve)	156030045	156030055	156030045	156030045	156030045	156030045	156030055
39	Screw (Choke Valve)	-----	-----	-----	-----	-----	-----	-----
40	Screw (Post)	-----	-----	-----	-----	-----	-----	-----
41	Screw (Metering Cover)	17203006	17203006	17203006	17203006	17203007	17203007	17203007
42	Screw (Pump Cover)	17004010	17004010	17004010	17004010	17004010	17004010	17004010
43	Screw (Throttle Lever)	17103004	17103004	17103004	17103004	17103004	17103004	17103004
44	Ball, Steel	19290030	19290030	19290030	-----	19290030	19290030	19290030
45	E-Ring (Throttle Shaft)	19500030	19510040	-----	-----	19500030	19500030	19510040
46	E-Ring (Post)	-----	-----	-----	-----	-----	-----	-----
47	O-Ring (Plunger)	-----	-----	-----	-----	-----	-----	-----
48	Screw, Retainer	-----	-----	-----	-----	-----	-----	-----
49	E-Ring (Choke Shaft)	-----	-----	-----	-----	-----	-----	-----
50	Limiter, Mixture (H)	0061060	0061060	0061060	-----	-----	-----	-----
51	Limiter, Mixture (L)	0061059	0061059	0061059	-----	-----	-----	-----
52	Washer (Limiter)	0026014	0026014	0026014	-----	-----	-----	-----
53	Retainer (Limiter)	0009031	0009031	0009031	-----	-----	-----	-----
54	Spring, Choke	0013096	0013096	0013068	0013130	0013096	0013096	0013096
55	Lever, Choke Control	A042027	A042027	0042159	A042029	A042027	A042027	A042027
56	Lever, Choke	0042111	0042111	0042160	0042171	0042152	0042152	0042152
57	Collar, Choke Shaft	-----	-----	-----	0052007	-----	-----	-----
58	Screw, Choke Shaft	-----	-----	17103004	-----	-----	-----	-----
59	Governor Ass'y	-----	-----	-----	-----	-----	-----	-----
60	Washer (Governor)	-----	-----	-----	-----	-----	-----	-----
61	Washer (Post)	-----	-----	-----	-----	-----	-----	-----
62	Remote Jet	-----	-----	-----	-----	-----	-----	-----
63	Boot, Retainer	0051027	0051027	0051027	-----	-----	-----	-----
64	Screw	14902509	14902509	14902509	-----	14902509	14902509	14902509
65	Gasket Airhead	0016090	0016090	0016090	-----	0016090	0016090	0016090
66	Rod Linkage, Air Head	0063025	0063025	0063028	-----	0063027	0063027	0063027
67	Lever, Throttle for Airhead	0012199	0012199	0012269	-----	A012037	A012037	A012037
68	Body, Airhead	-----	-----	-----	-----	-----	-----	-----

PARTS LIST

C1M TYPE

REF	PART NAME	C1M EL44	C1M FRI A-B	C1M H57	C1M H58 A-B	C1M H58C	C1M H58D	C1M H65
	Venturi	12.5mm	13.5 mm	12.5mm	13.5 mm	13.5 mm	13.5 mm	13.5 mm
★	Rebuild Kit	RB-181	RB-70	RB-57	RB-57	RB-127	RB-127	RB-159
●	Gasket & Diaphragm Kit	★ GND-105	★ GND-43	★ GND-43	★ GND-43	★ GND-43	★ GND-43	★ GND-90
▲	Cover Kit, Pump	-----	K017021	K017070	K017070	K017091	K017091	K017091
■	Base Kit, Primer	-----	-----	-----	-----	-----	-----	-----
	Body Ass'y, Airhead	A088701	-----	-----	-----	-----	-----	-----
1	Strainer	★ 0004011	★ 0004009	★ 0004009	★ 0004009	★ 0004009	★ 0004009	★ 0004009
2	Strainer	-----	-----	-----	-----	-----	-----	-----
3	Plug, Welch	-----	-----	-----	-----	-----	-----	-----
4	Plug, Welch	-----	★ 0005005	★ 0005005	★ 0005005	★ 0005005	★ 0005005	★ 0005005
5	Retainer, Syringe	-----	0009065	-----	-----	-----	-----	-----
6	Nozzle Ass'y, Check Valve	A007703	A007103	A007169	A007169	A007169	A007169	A007169
7	Shaft Ass'y, Throttle	K011701	A011133	A011176	A011176	A011176	A011176	A011176
8	Lever, Throttle	0012316	0012109	0012166	0012166	0012166	0012166	0012166
9	Spring, Throttle Return	0013129	0013018	0013018	0013018	0013018	0013018	0013018
10	Valve, Throttle	0014151	0014036	0014004	0014004	0014036	0014036	0014036
11	Diaphragm Ass'y, Metering	★● A015701	★● A015019	★● A015016	★● A015016	★● A015016	★● A015016	★● A015016
12	Diaphragm, Pump	★● 0015047	★● 0015047	★● 0015047	★● 0015047	★● 0015047	★● 0015047	★● 0015047
13	Diaphragm, Pump	★● 0015080	-----	-----	-----	-----	-----	-----
14	Gasket, Metering Chamber	★● 0016701	★● 0016021	★● 0016047	★● 0016021	★● 0016021	★● 0016021	★● 0016021
15	Gasket, Pump	★● 0016033	★● 0016047	★● 0016021	★● 0016047	★● 0016047	★● 0016047	★● 0016047
16	Cover, Pump	0017111	▲ 0017034	▲ 0017034	▲ 0017034	▲	▲	▲
17	Valve, Inlet Needle	★ 0018004	★ 0018004	★ 0018004	★ 0018004	★ 0018004	★ 0018004	★ 0018004
18	Spring, Metering Lever	★ 0019011	★ 0019002	★ 0019014	★ 0019014	★ 0019002	★ 0019002	★ 0019002
19	Lever, Metering	★ 0020012	★ 0020012	★ 0020012	★ 0020012	★ 0020012	★ 0020012	★ 0020012
20	Pin	★ 0021001	★ 0021001	★ 0021001	★ 0021001	★ 0021001	★ 0021001	★ 0021001
21	Cover, Metering Chamber	0028701	-----	0028023	0028023	0028023	0028023	0028023
22	Spring, Adjust Screw	-----	-----	-----	0029007	▲	▲	▲
23	Spring, Adjust Screw	-----	-----	▲ 0029007	-----	-----	-----	-----
24	Screw, Main Mixture	-----	0030140	0030174	0030174	0030174	0030174	0030254
25	Screw, Idle Mixture	-----	0031134	0031154	0031154	0031154	0031154	0031255
26	Screw, Throttle Adjust	-----	▲ 0035007	▲ 0035033	▲ 0035033	▲	▲	▲
27	Piece, Friction	-----	▲ 0036001	▲ 0036001	▲ 0036001	▲	▲	▲
28	Spring, Friction	-----	-----	0038001	0038001	0038001	0038001	0038001
29	Shaft Ass'y, Choke	A041701	A041073	A041087	A041087	A041087	A041087	A041087
30	Valve, Choke	0043075	0043028	0043027	0043018	0043058	0043058	0043058
31	Post	-----	0045002	-----	-----	-----	-----	-----
32	Collar	0052018	0052005	-----	0052011	0052011	0052011	0052011
33	Plunger	-----	-----	-----	-----	-----	-----	-----
34	Spring (Plunger Return)	-----	-----	-----	-----	-----	-----	-----
35	Base Ass'y, Primer	-----	A056075	-----	-----	-----	-----	-----
36	Syringe	-----	0057004	-----	-----	-----	-----	-----
37	Screw (Pin)	14803006	14803006	14803006	14803006	14803006	14803006	14803006
38	Screw (Throttle Valve)	156030045	156030045	15603004	15603004	156030045	156030045	156030045
39	Screw (Choke Valve)	-----	156030045	156030045	156030045	156030045	156030045	156030045
40	Screw (Post)	-----	-----	-----	-----	-----	-----	-----
41	Screw (Metering Cover)	17103009	-----	17203006	17203006	17203006	17203006	17203006
42	Screw (Pump Cover)	14904010	17004010	17004010	17004010	17004010	17004010	17004010
43	Screw (Throttle Lever)	17502604	17103004	17103004	17103004	17103004	17103004	17103004
44	Ball, Steel	-----	-----	19290030	19290030	19290030	19290030	19290030
45	E-Ring (Throttle Shaft)	-----	19500040	19500040	19500040	19500040	19500040	19500040
46	E-Ring (Post)	-----	19500040	-----	-----	-----	-----	-----
47	O-Ring (Plunger)	-----	-----	-----	-----	-----	-----	-----
48	Screw, Retainer	-----	17203012	-----	-----	-----	-----	-----
49	E-Ring (Choke Shaft)	19510040	-----	19500025	19500025	19500025	19500025	19500025
50	Limit, Mixture (H)	-----	0061009	0061025	0061058	0061058	0061027	-----
51	Limit, Mixture (L)	-----	0061010	0061026	0061026	0061026	0061028	-----
52	Washer (Limit)	-----	-----	0026014	0026014	0026014	0026014	-----
53	Retainer (Limit)	-----	-----	0009028	0009028	0009028	0009031	-----
54	Spring, Choke	0013701	0013065	0013065	0013065	0013065	0013065	0013065
55	Lever, Choke Control	A042701	0042022	-----	0042098	0042098	0042098	-----
56	Lever, Choke	0042193	0042055	0042098	0042103	0042103	0042103	0042098
57	Collar, Choke Shaft	-----	0052010	0052011	-----	-----	-----	-----
58	Screw, Choke Shaft	-----	17103004	-----	-----	-----	-----	-----
59	Governor Ass'y	-----	-----	-----	-----	-----	-----	-----
60	Washer (Governor)	-----	-----	-----	-----	-----	-----	-----
61	Washer (Post)	-----	-----	-----	-----	-----	-----	-----
62	Remote Jet	-----	-----	-----	-----	-----	-----	-----
63	Boot, Retainer	-----	-----	0051027	0051027	0051027	0051027	-----
64	Screw	14903010	-----	-----	-----	-----	-----	-----
65	Gasket Airhead	-----	-----	-----	-----	-----	-----	-----
66	Rod Linkage, Air Head	0063701	-----	-----	-----	-----	-----	-----
67	Lever, Throttle for Airhead	-----	-----	-----	-----	-----	-----	-----
68	Body, Airhead	0088018	-----	-----	-----	-----	-----	-----

PARTS LIST

C1M TYPE

REF	PART NAME	C1M K24.A	C1M K24B	C1M K25A	C1M K25B	C1M K37A	C1M K37B-D	C1M K49
	Venturi	9.5 mm	9.5 mm	13.5 mm	13.5 mm	9.5 mm	9.5 mm	12.5 mm
★	Rebuild Kit	RB-44	RB-44	RB-44	RB-44	RB-61	RB-61	RB-44
●	Gasket & Diaphragm Kit	★ GND-31	★ GND-31	★ GND-31	★ GND-31	★ GND-31	★ GND-31	★ GND-31
▲	Cover Kit, Pump	K017021	K017064	K017021	K017064	K017021	K017064	K017021
■	Base Kit, Primer	-----	-----	-----	-----	-----	-----	-----
	Body Ass'y, Airhead	-----	-----	-----	-----	-----	-----	-----
1	Strainer	★ 0004009	★ 0004009	★ 0004009	★ 0004009	★ 0004009	★ 0004009	★ 0004009
2	Strainer	-----	-----	-----	-----	-----	-----	-----
3	Plug, Welch	-----	-----	-----	-----	-----	-----	-----
4	Plug, Welch	★ 0005005	★ 0005005	★ 0005005	★ 0005005	★ 0005004	★ 0005004	★ 0005005
5	Retainer, Syringe	0009010	0009027	0009027	0009027	0009027	0009065	0009027
6	Nozzle Ass'y, Check Valve	A007045	A007045	A007045	A007045	A007187	A007187	A007077
7	Shaft Ass'y, Throttle	A011073	A011073	A011073	A011073	A011073	A011073	A011073
8	Lever, Throttle	0012023	0012023	0012023	0012023	0012023	0012023	0012023
9	Spring, Throttle Return	0013036	0013036	0013036	0013036	0013036	0013036	0013036
10	Valve, Throttle	0014004	0014004	0014004	0014004	0014038	0014038	0014004
11	Diaphragm Ass'y, Metering	★● A015016	★● A015016	★● A015016	★● A015016	★● A015016	★● A015016	★● A015016
12	Diaphragm, Pump	★● 0015044	★● 0015047	★● 0015044	★● 0015047	★● 0015044	★● 0015047	★● 0015044
13	Diaphragm, Pump	-----	-----	-----	-----	-----	-----	-----
14	Gasket, Metering Chamber	★● 0016021	★● 0016021	★● 0016021	★● 0016021	★● 0016021	★● 0016021	★● 0016021
15	Gasket, Pump	★● 0016033	★● 0016033	★● 0016033	★● 0016033	★● 0016033	★● 0016033	★● 0016033
16	Cover, Pump	▲ 0017034	▲ 0017034	▲ 0017034	▲ 0017034	▲ 0017034	▲ 0017034	▲ 0017034
17	Valve, Inlet Needle	★ 0018004	★ 0018004	★ 0018004	★ 0018004	★ 0018004	★ 0018004	★ 0018004
18	Spring, Metering Lever	★ 0019002	★ 0019002	★ 0019002	★ 0019002	★ 0019005	★ 0019005	★ 0019002
19	Lever, Metering	★ 0020012	★ 0020012	★ 0020012	★ 0020012	★ 0020012	★ 0020012	★ 0020012
20	Pin	★ 0021001	★ 0021001	★ 0021001	★ 0021001	★ 0021001	★ 0021001	★ 0021001
21	Cover, Metering Chamber	-----	-----	-----	-----	-----	-----	-----
22	Spring, Adjust Screw	0029005	▲ 0029032	0029005	0029005	0029005	0029032	0029005
23	Spring, Adjust Screw	-----	-----	-----	▲ 0029032	-----	▲ 0029032	-----
24	Screw, Main Mixture	0030051	0030051	0030054	0030054	0030083	0030170	0030103
25	Screw, Idle Mixture	0031053	0031053	0031054	0031054	A031082	0031169	0031101
26	Screw, Throttle Adjust	▲ 0035007	▲ 0035033	▲ 0035007	▲ 0035033	▲ 0035007	▲ 0035033	▲ 0035007
27	Piece, Friction	▲ 0036001	-----	▲ 0036001	-----	▲ 0036001	-----	▲ 0036001
28	Spring, Friction	-----	-----	-----	-----	-----	-----	-----
29	Shaft Ass'y, Choke	-----	-----	-----	-----	-----	-----	-----
30	Valve, Choke	-----	-----	-----	-----	-----	-----	-----
31	Post	-----	-----	-----	-----	-----	-----	-----
32	Collar	-----	-----	-----	-----	-----	-----	-----
33	Plunger	-----	-----	-----	-----	-----	-----	-----
34	Spring (Plunger Return)	-----	-----	-----	-----	-----	-----	-----
35	Base Ass'y, Primer	A056014	A056014	A056014	A056014	A056014	A056067	A056014
36	Syringe	0057003	0057004	0057003	0057004	0057003	0057004	0057004
37	Screw (Pin)	14803006	14803006	14803006	14803006	14803006	14803006	14803006
38	Screw (Throttle Valve)	15603004	15603004	15603004	15603004	15603004	15603004	15603004
39	Screw (Choke Valve)	-----	-----	-----	-----	-----	-----	-----
40	Screw (Post)	-----	-----	-----	-----	-----	-----	-----
41	Screw (Metering Cover)	17103008	17103008	17103008	17103008	17103008	17103008	17103008
42	Screw (Pump Cover)	17004010	17004010	17004010	17004010	17004010	17004010	17004010
43	Screw (Throttle Lever)	17103004	17103004	17103004	17103004	17103004	17103004	17103004
44	Ball, Steel	-----	-----	-----	-----	-----	-----	-----
45	E-Ring (Throttle Shaft)	19500040	19500040	19500040	19500040	19500040	19500040	19500040
46	E-Ring (Post)	-----	-----	-----	-----	-----	-----	-----
47	O-Ring (Plunger)	-----	-----	-----	-----	-----	-----	-----
48	Screw, Retainer	17203012	17203012	17203012	17203012	17203012	17203012	17203012
49	E-Ring (Choke Shaft)	-----	-----	-----	-----	-----	-----	-----
50	Limiters, Mixture (H)	-----	-----	-----	-----	0061007	0061007	0061009
51	Limiters, Mixture (L)	-----	-----	-----	-----	0061010	0061010	0061010
52	Washer (Limiter)	-----	-----	-----	-----	0026006	0026014	-----
53	Retainer (Limiter)	-----	-----	-----	-----	-----	-----	-----
54	Spring, Choke	-----	-----	-----	-----	-----	-----	-----
55	Lever, Choke Control	-----	-----	-----	-----	-----	-----	-----
56	Lever, Choke	-----	-----	-----	-----	-----	-----	-----
57	Collar, Choke Shaft	-----	-----	-----	-----	-----	-----	-----
58	Screw, Choke Shaft	-----	-----	-----	-----	-----	-----	-----
59	Governor Ass'y	-----	-----	-----	-----	-----	-----	-----
60	Washer (Governor)	-----	-----	-----	-----	-----	-----	-----
61	Washer (Post)	-----	-----	-----	-----	-----	-----	-----
62	Remote Jet	-----	-----	-----	-----	-----	-----	-----
63	Boot, Retainer	-----	-----	-----	-----	-----	-----	-----
64	Screw	-----	-----	-----	-----	-----	-----	-----
65	Gasket Airhead	-----	-----	-----	-----	-----	-----	-----
66	Rod Linkage, Air Head	-----	-----	-----	-----	-----	-----	-----
67	Lever, Throttle for Airhead	-----	-----	-----	-----	-----	-----	-----
68	Body, Airhead	-----	-----	-----	-----	-----	-----	-----

PARTS LIST

C1M TYPE

REF	PART NAME	C1M K49A-C	C1M K76	C1M K77	C1M S141.A-C	C1M S141D	C1M S142.A-C	C1M S142D
	Venturi	12.5mm	12.5mm	9.5mm	6.2 mm	6.2 mm	6.2 mm	6.2 mm
★	Rebuild Kit	RB-44	RB-44	RB-124	RB-155	RB-155	RB-155	RB-155
●	Gasket & Diaphragm Kit	★ GND-31	★ GND-31	★ GND-67	★ GND-88	★ GND-88	★ GND-88	★ GND-88
▲	Cover Kit, Pump	K017064	K017064	K017064	K017086	K017086	K017086	K017086
■	Base Kit, Primer	-----	-----	-----	-----	-----	-----	-----
	Body Ass'y, Airhead	-----	-----	-----	-----	-----	-----	-----
1	Strainer	★ 0004009	★ 0004009	★ 0004009	★ 0004011	★ 0004011	★ 0004011	★ 0004011
2	Strainer	-----	-----	-----	-----	-----	-----	-----
3	Plug, Welch	-----	-----	-----	-----	-----	-----	-----
4	Plug, Welch	★ 0005005	★ 0005005	★ 0005005	-----	-----	-----	-----
5	Retainer, Syringe	0009027	0009065	0009065	0009065	0009065	0009065	0009065
6	Nozzle Ass'y, Check Valve	A007077	-----	-----	-----	-----	-----	-----
7	Shaft Ass'y, Throttle	A011073	A011263	A011263	-----	-----	-----	-----
8	Lever, Throttle	0012023	0012023	0012023	0012234	0012234	0012234	0012234
9	Spring, Throttle Return	0013036	0013036	0013036	-----	-----	-----	-----
10	Valve, Throttle	0014004	0014004	0014004	-----	-----	-----	-----
11	Diaphragm Ass'y, Metering	★● A015016	★● A015016	★● A015050	★● A015060	★● A015060	★● A015060	★● A015060
12	Diaphragm, Pump	★● 0015047	★● 0015047	★● 0015047	★● 0015047	★● 0015047	★● 0015047	★● 0015047
13	Diaphragm, Pump	-----	-----	-----	-----	-----	-----	-----
14	Gasket, Metering Chamber	★● 0016021	★● 0016021	★● 0016077	★● 0016099	★● 0016099	★● 0016099	★● 0016099
15	Gasket, Pump	★● 0016033	★● 0016033	★● 0016033	★● 0016033	★● 0016033	★● 0016033	★● 0016033
16	Cover, Pump	▲ 0017034	▲ 0017034	▲ 0017034	▲ 0017095	▲ 0017095	▲ 0017095	▲ 0017095
17	Valve, Inlet Needle	★ 0018004	★ 0018004	★ 0018004	★ 0018004	★ 0018004	★ 0018004	★ 0018004
18	Spring, Metering Lever	★ 0019002	★ 0019002	★ 0019002	★ 0019036	★ 0019036	★ 0019036	★ 0019036
19	Lever, Metering	★ 0020012	★ 0020012	★ 0020012	★ 0020012	★ 0020012	★ 0020012	★ 0020012
20	Pin	★ 0021001	★ 0021001	★ 0021001	★ 0021001	★ 0021001	★ 0021001	★ 0021001
21	Cover, Metering Chamber	-----	-----	-----	-----	-----	-----	-----
22	Spring, Adjust Screw	-----	-----	-----	-----	-----	-----	-----
23	Spring, Adjust Screw	▲ 0029032	▲ 0029032	▲ 0029032	-----	-----	-----	-----
24	Screw, Main Mixture	0030169	0030212	0030216	0030253	0030258	0030253	0030266
25	Screw, Idle Mixture	0031168	0031158	0031168	A031027	A031018	A031028	A031085
26	Screw, Throttle Adjust	▲ 0035033	▲ 0035033	▲ 0035033	▲ A035004	▲ A035004	▲ A035004	▲ A035004
27	Piece, Friction	-----	-----	-----	▲ 0036001	▲ 0036001	▲ 0036001	▲ 0036001
28	Spring, Friction	-----	-----	-----	-----	-----	-----	-----
29	Shaft Ass'y, Choke	-----	-----	-----	-----	-----	-----	-----
30	Valve, Choke	-----	-----	-----	-----	-----	-----	-----
31	Post	-----	-----	-----	-----	-----	-----	-----
32	Collar	-----	-----	-----	0052001	0052001	0052001	0052001
33	Plunger	-----	-----	-----	-----	-----	-----	-----
34	Spring (Plunger Return)	-----	-----	-----	-----	-----	-----	-----
35	Base Ass'y, Primer	A056014	A056067	A056067	A056132	A056132	A056132	A056132
36	Syringe	0057004	0057004	0057004	0057004	0057004	0057004	0057004
37	Screw (Pin)	14803006	14803006	14803006	161025003	161025003	161025003	161025003
38	Screw (Throttle Valve)	15603004	15603004	15603004	156030055	156030055	156030055	156030055
39	Screw (Choke Valve)	-----	-----	-----	156030045	156030045	156030045	156030045
40	Screw (Post)	-----	-----	-----	-----	-----	-----	-----
41	Screw (Metering Cover)	17103008	-----	-----	-----	-----	-----	-----
42	Screw (Pump Cover)	17004010	17004010	17004010	17004010	17004010	17014010	17014010
43	Screw (Throttle Lever)	17103004	17103004	17103004	17103004	17103004	17103004	17103004
44	Ball, Steel	-----	-----	-----	-----	-----	-----	-----
45	E-Ring (Throttle Shaft)	19500040	19500040	19500040	19510040	19510040	19510040	19510040
46	E-Ring (Post)	-----	-----	-----	-----	-----	-----	-----
47	O-Ring (Plunger)	-----	-----	-----	-----	-----	-----	-----
48	Screw, Retainer	17203012	17203012	17203012	172030135	172030135	172030135	172030135
49	E-Ring (Choke Shaft)	-----	-----	-----	-----	-----	-----	-----
50	Limit, Mixture (H)	-----	0061009	0061009	0061055	0061055	0061055	0061055
51	Limit, Mixture (L)	-----	0061010	0061010	-----	-----	-----	-----
52	Washer (Limit)	-----	-----	-----	-----	-----	-----	-----
53	Retainer (Limit)	-----	-----	-----	-----	-----	-----	-----
54	Spring, Choke	-----	-----	-----	-----	-----	-----	-----
55	Lever, Choke Control	-----	-----	-----	-----	-----	-----	-----
56	Lever, Choke	-----	-----	-----	0042169	0042169	0042169	0042169
57	Collar, Choke Shaft	-----	-----	-----	-----	-----	-----	-----
58	Screw, Choke Shaft	-----	-----	-----	-----	-----	-----	-----
59	Governor Ass'y	-----	-----	-----	-----	-----	-----	-----
60	Washer (Governor)	-----	-----	-----	-----	-----	-----	-----
61	Washer (Post)	-----	-----	-----	-----	-----	-----	-----
62	Remote Jet	-----	-----	-----	-----	-----	-----	-----
63	Boot, Retainer	-----	-----	-----	-----	-----	-----	-----
64	Screw	-----	-----	-----	-----	-----	-----	-----
65	Gasket Airhead	-----	-----	-----	-----	-----	-----	-----
66	Rod Linkage, Air Head	-----	-----	-----	-----	-----	-----	-----
67	Lever, Throttle for Airhead	-----	-----	-----	-----	-----	-----	-----
68	Body, Airhead	-----	-----	-----	-----	-----	-----	-----

PARTS LIST

C1M TYPE

REF	PART NAME	C1M S144	C1M S144A-B	C1M S145.A	C1M S145B	C1M S146.A	C1M S146B	C1M S151
	Venturi	6.2 mm	6.2 mm	9 mm	9 mm	9 mm	9 mm	6.2 mm
★	Rebuild Kit	RB-164	RB-164	RB-155	RB-155	RB-155	RB-155	RB-155
●	Gasket & Diaphragm Kit	★ GND-88	★ GND-88	★ GND-88	★ GND-88	★ GND-88	★ GND-88	★ GND-88
▲	Cover Kit, Pump	K017086	K017086	K017086	K017086	K017086	K017086	K017086
■	Base Kit, Primer	-----	-----	-----	-----	-----	-----	-----
	Body Ass'y, Airhead	-----	-----	-----	-----	-----	-----	-----
1	Strainer	★ 0004011	★ 0004011	★ 0004011	★ 0004011	★ 0004011	★ 0004011	★ 0004011
2	Strainer	-----	-----	-----	-----	-----	-----	-----
3	Plug, Welch	-----	-----	-----	-----	-----	-----	-----
4	Plug, Welch	-----	-----	-----	-----	-----	-----	-----
5	Retainer, Syringe	0009065	0009065	0009065	0009065	0009065	0009065	0009065
6	Nozzle Ass'y, Check Valve	-----	-----	-----	-----	-----	-----	-----
7	Shaft Ass'y, Throttle	-----	-----	-----	-----	-----	-----	-----
8	Lever, Throttle	0012234	0012234	0012232	0012306	0012232	0012306	0012234
9	Spring, Throttle Return	-----	-----	-----	-----	-----	-----	-----
10	Valve, Throttle	-----	-----	-----	-----	-----	-----	-----
11	Diaphragm Ass'y, Metering	★● A015060	★● A015060	★● A015060	★● A015060	★● A015060	★● A015060	★● A015060
12	Diaphragm, Pump	★● 0015047	★● 0015047	★● 0015047	★● 0015047	★● 0015047	★● 0015047	★● 0015047
13	Diaphragm, Pump	-----	-----	-----	-----	-----	-----	-----
14	Gasket, Metering Chamber	★● 0016099	★● 0016099	★● 0016099	★● 0016099	★● 0016099	★● 0016099	★● 0016099
15	Gasket, Pump	★● 0016033	★● 0016033	★● 0016033	★● 0016033	★● 0016033	★● 0016033	★● 0016033
16	Cover, Pump	▲ 0017095	▲ 0017095	▲ 0017095	▲ 0017095	▲ 0017095	▲ 0017095	▲ 0017095
17	Valve, Inlet Needle	★ 0018004	★ 0018004	★ 0018004	★ 0018004	★ 0018004	★ 0018004	★ 0018004
18	Spring, Metering Lever	★ 0019012	★ 0019012	★ 0019036	★ 0019036	★ 0019036	★ 0019036	★ 0019036
19	Lever, Metering	★ 0020012	★ 0020012	★ 0020012	★ 0020012	★ 0020012	★ 0020012	★ 0020012
20	Pin	★ 0021001	★ 0021001	★ 0021001	★ 0021001	★ 0021001	★ 0021001	★ 0021001
21	Cover, Metering Chamber	-----	-----	-----	-----	-----	-----	-----
22	Spring, Adjust Screw	-----	-----	-----	-----	-----	-----	-----
23	Spring, Adjust Screw	-----	-----	-----	-----	-----	-----	-----
24	Screw, Main Mixture	0030258	0030258	0030253	0030253	0030253	0030253	A030001
25	Screw, Idle Mixture	A031018	A031018	0031256	0031256	0031256	0031256	A031018
26	Screw, Throttle Adjust	▲ A035004	▲ A035004	▲ A035004	▲ A035004	▲ A035004	▲ A035004	▲ A035004
27	Piece, Friction	▲ 0036001	▲ 0036001	▲ 0036001	▲ 0036001	▲ 0036001	▲ 0036001	▲ 0036001
28	Spring, Friction	-----	-----	-----	-----	-----	-----	-----
29	Shaft Ass'y, Choke	-----	-----	-----	-----	-----	-----	-----
30	Valve, Choke	-----	-----	-----	-----	-----	-----	-----
31	Post	-----	-----	0045047	0045047	0045047	0045047	-----
32	Collar	0052001	0052001	-----	-----	-----	-----	0052001
33	Plunger	-----	-----	-----	-----	-----	-----	-----
34	Spring (Plunger Return)	-----	-----	-----	-----	-----	-----	-----
35	Base Ass'y, Primer	A056137	A056137	A056135	A056135	A056135	A056135	A056132
36	Syringe	0057004	0057004	0057004	0057004	0057004	0057004	0057004
37	Screw (Pin)	161025003	161025003	161025003	161025003	161025003	161025003	161025003
38	Screw (Throttle Valve)	156030055	156030055	156030045	156030045	156030045	156030045	156030055
39	Screw (Choke Valve)	156030045	156030045	156030045	156030045	156030045	156030045	156030045
40	Screw (Post)	-----	-----	-----	-----	-----	-----	-----
41	Screw (Metering Cover)	-----	-----	-----	-----	-----	-----	-----
42	Screw (Pump Cover)	17004010	17014010	17004010	17004010	17004010	17004010	17004010
43	Screw (Throttle Lever)	17103004	17103004	17103004	17103004	17103004	17103004	17103004
44	Ball, Steel	-----	-----	-----	-----	-----	-----	-----
45	E-Ring (Throttle Shaft)	19510040	19510040	19510040	19510040	19510040	19510040	19510040
46	E-Ring (Post)	-----	-----	19500040	19500040	19500040	19500040	-----
47	O-Ring (Plunger)	-----	-----	-----	-----	-----	-----	-----
48	Screw, Retainer	172030135	172030135	172030135	172030135	172030135	172030135	172030135
49	E-Ring (Choke Shaft)	-----	-----	19510040	19510040	19510040	19510040	-----
50	Limit, Mixture (H)	0061055	0061055	0061055	0061055	0061055	0061055	-----
51	Limit, Mixture (L)	-----	-----	0061074	0061074	0061055	0061055	-----
52	Washer (Limit)	-----	-----	-----	-----	-----	-----	-----
53	Retainer (Limit)	-----	-----	-----	-----	-----	-----	-----
54	Spring, Choke	-----	-----	-----	-----	-----	-----	-----
55	Lever, Choke Control	-----	-----	-----	-----	-----	-----	-----
56	Lever, Choke	0042169	0042169	0042148	0042148	0042148	0042148	0042169
57	Collar, Choke Shaft	-----	-----	-----	-----	-----	-----	-----
58	Screw, Choke Shaft	-----	-----	-----	-----	-----	-----	-----
59	Governor Ass'y	-----	-----	-----	-----	-----	-----	-----
60	Washer (Governor)	-----	-----	-----	-----	-----	-----	-----
61	Washer (Post)	-----	-----	0026013	0026013	0026013	0026013	-----
62	Remote Jet	-----	-----	-----	-----	-----	-----	-----
63	Boot, Retainer	-----	-----	-----	-----	-----	-----	-----
64	Screw	-----	-----	-----	-----	-----	-----	-----
65	Gasket Airhead	-----	-----	-----	-----	-----	-----	-----
66	Rod Linkage, Air Head	-----	-----	-----	-----	-----	-----	-----
67	Lever, Throttle for Airhead	-----	-----	-----	-----	-----	-----	-----
68	Body, Airhead	-----	-----	-----	-----	-----	-----	-----

PARTS LIST

C1M TYPE

REF	PART NAME	C1M S151A-B	C1M W26A-C	C1M W44	C1M W47
	Venturi	6.2 mm	8.0mm	8.0mm	12.5 mm
★	Rebuild Kit	RB-155	RB-129	RB-168	RB-129
●	Gasket & Diaphragm Kit	★ GND-88	★ GND-70	★ GND-97	★ GND-70
▲	Cover Kit, Pump	K017086	K017079	-----	K017079
■	Base Kit, Primer	-----	K056044	K056048	K056703
	Body Ass'y, Airhead	-----	A088002	A088012	
1	Strainer	★ 0004011	★ 0004035	★ 0004032	★ 0004035
2	Strainer	-----	0004002	0004002	0004002
3	Plug, Welch	-----	-----	-----	-----
4	Plug, Welch	-----	★ 0005004	★ 0005004	★ 0005004
5	Retainer, Syringe	0009065	-----	-----	-----
6	Nozzle Ass'y, Check Valve	-----	A007238	A007238	A007238
7	Shaft Ass'y, Throttle	-----	A011234	A011274	A011703
8	Lever, Throttle	0012234	A012033	0012310	A012038
9	Spring, Throttle Return	-----	0013018	0013018	0013018
10	Valve, Throttle	-----	0014118	0014033	0014701
11	Diaphragm Ass'y, Metering	★● A015060	★● A015019	★● A015051	★● A015019
12	Diaphragm, Pump	★● 0015047	★● 0015047	★● 0015103	★● 0015047
13	Diaphragm, Pump	-----	-----	-----	-----
14	Gasket, Metering Chamber	★● 0016099	★● 0016035	★● 0016008	★● 0016035
15	Gasket, Pump	★● 0016033	★● 0016047	★● 0016091	★● 0016047
16	Cover, Pump	▲ 0017095	▲ 0017091	K056047	▲ 0017091
17	Valve, Inlet Needle	★ 0018004	★ 0018004	★ 0018002	★ 0018004
18	Spring, Metering Lever	★ 0019036	★ 0019012	★ 0019009	★ 0019012
19	Lever, Metering	★ 0020012	★ 0020012	★ 0020012	★ 0020012
20	Pin	★ 0021001	★ 0021001	★ 0021001	★ 0021001
21	Cover, Metering Chamber	-----	0028049	0028049	0028049
22	Spring, Adjust Screw	-----	-----	-----	-----
23	Spring, Adjust Screw	-----	▲ 0029033	-----	▲ 0029033
24	Screw, Main Mixture	A030001	0030197	0030238	0030197
25	Screw, Idle Mixture	A031018	0031223	0031212	0031223
26	Screw, Throttle Adjust	▲ A035004	▲ 0035033	■	▲ 0035033
27	Piece, Friction	▲ 0036001	▲ 0036001	■	▲ 0036001
28	Spring, Friction	-----	0038001	-----	0038001
29	Shaft Ass'y, Choke	-----	A041107	A041135	A041107
30	Valve, Choke	-----	0043007	-----	0043069
31	Post	-----	-----	-----	-----
32	Collar	0052001	-----	-----	-----
33	Plunger	-----	0053047	K053049	0053047
34	Spring (Plunger Return)	-----	0054065	0054057	0054065
35	Base Ass'y, Primer	A056132	■	■	■
36	Syringe	0057004	-----	-----	-----
37	Screw (Pin)	161025003	14803006	14903006	14803006
38	Screw (Throttle Valve)	156030055	156030045	156030045	156030045
39	Screw (Choke Valve)	156030045	156030045	-----	156030045
40	Screw (Post)	-----	-----	-----	-----
41	Screw (Metering Cover)	-----	17203006	17203006	17203006
42	Screw (Pump Cover)	17014010	17004010	17103011	17004010
43	Screw (Throttle Lever)	17103004	17103004	17103004	17103004
44	Ball, Steel	-----	19290030	-----	19290030
45	E-Ring (Throttle Shaft)	19510040	19500040	19500040	19500040
46	E-Ring (Post)	-----	-----	-----	-----
47	O-Ring (Plunger)	-----	195503010	-----	195503010
48	Screw, Retainer	172030135	-----	-----	-----
49	E-Ring (Choke Shaft)	-----	-----	19500035	-----
50	Limiters, Mixture (H)	-----	-----	-----	-----
51	Limiters, Mixture (L)	-----	-----	-----	-----
52	Washer (Limiters)	-----	-----	-----	-----
53	Retainer (Limiters)	-----	-----	-----	-----
54	Spring, Choke	-----	0013071	0013143	0013071
55	Lever, Choke Control	-----	0042130	-----	0042130
56	Lever, Choke	0042169	0042128	0042187	0042128
57	Collar, Choke Shaft	-----	-----	-----	-----
58	Screw, Choke Shaft	-----	-----	-----	-----
59	Governor Ass'y	-----	-----	-----	-----
60	Washer (Governor)	-----	-----	-----	-----
61	Washer (Post)	-----	-----	-----	-----
62	Remote Jet	-----	-----	-----	-----
63	Boot, Retainer	-----	-----	-----	-----
64	Screw	-----	14902509	14902509	-----
65	Gasket Airhead	-----	0016090	0016104	-----
66	Rod Linkage, Air Head	-----	-----	0063030	-----
67	Lever, Throttle for Airhead	-----	-----	-----	-----
68	Body, Airhead	-----	-----	-----	-----

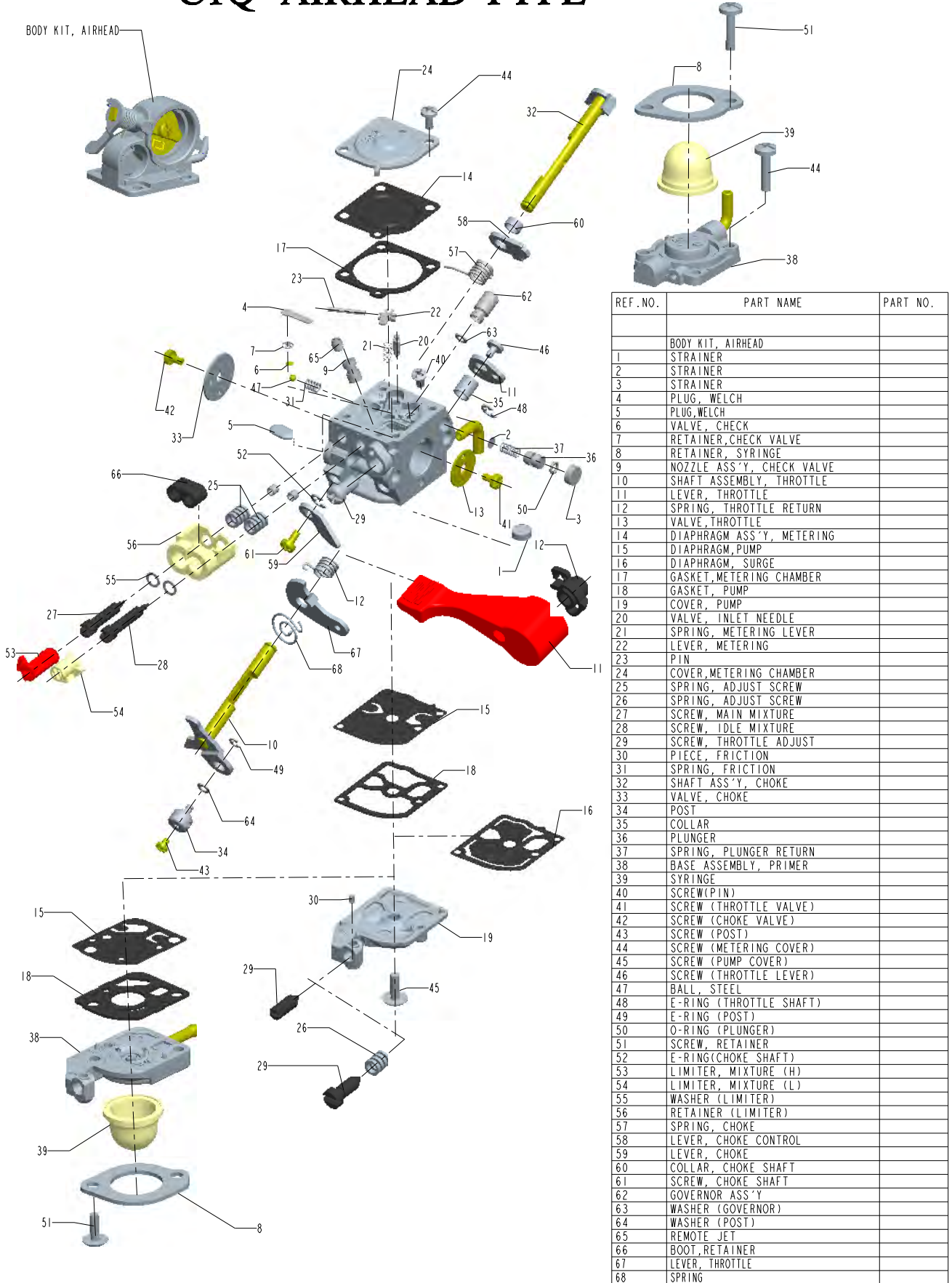
PARTS LIST



C1Q Airhead TYPE

• THIS ILLUSTRATION DOES NOT REPRESENT EVERY MODEL. THIS IS INTENDED FOR A GENERIC REFERENCE ONLY.

C1Q AIRHEAD TYPE



REF. NO.	PART NAME	PART NO.
	BODY KIT, AIRHEAD	
1	STRAINER	
2	STRAINER	
3	STRAINER	
4	PLUG, WELCH	
5	PLUG, WELCH	
6	VALVE, CHECK	
7	RETAINER, CHECK VALVE	
8	RETAINER, SYRINGE	
9	NOZZLE ASS'Y, CHECK VALVE	
10	SHAFT ASSEMBLY, THROTTLE	
11	LEVER, THROTTLE	
12	SPRING, THROTTLE RETURN	
13	VALVE, THROTTLE	
14	DIAPHRAGM ASS'Y, METERING	
15	DIAPHRAGM, PUMP	
16	DIAPHRAGM, SURGE	
17	GASKET, METERING CHAMBER	
18	GASKET, PUMP	
19	COVER, PUMP	
20	VALVE, INLET NEEDLE	
21	SPRING, METERING LEVER	
22	LEVER, METERING	
23	PIN	
24	COVER, METERING CHAMBER	
25	SPRING, ADJUST SCREW	
26	SPRING, ADJUST SCREW	
27	SCREW, MAIN MIXTURE	
28	SCREW, IDLE MIXTURE	
29	SCREW, THROTTLE ADJUST	
30	PIECE, FRICTION	
31	SPRING, FRICTION	
32	SHAFT ASS'Y, CHOKE	
33	VALVE, CHOKE	
34	POST	
35	COLLAR	
36	PLUNGER	
37	SPRING, PLUNGER RETURN	
38	BASE ASSEMBLY, PRIMER	
39	SYRINGE	
40	SCREW(PIN)	
41	SCREW (THROTTLE VALVE)	
42	SCREW (CHOKE VALVE)	
43	SCREW (POST)	
44	SCREW (METERING COVER)	
45	SCREW (PUMP COVER)	
46	SCREW (THROTTLE LEVER)	
47	BALL, STEEL	
48	E-RING (THROTTLE SHAFT)	
49	E-RING (POST)	
50	O-RING (PLUNGER)	
51	SCREW, RETAINER	
52	E-RING(CHOKE SHAFT)	
53	LIMITER, MIXTURE (H)	
54	LIMITER, MIXTURE (L)	
55	WASHER (LIMITER)	
56	RETAINER (LIMITER)	
57	SPRING, CHOKE	
58	LEVER, CHOKE CONTROL	
59	LEVER, CHOKE	
60	COLLAR, CHOKE SHAFT	
61	SCREW, CHOKE SHAFT	
62	GOVERNOR ASS'Y	
63	WASHER (GOVERNOR)	
64	WASHER (POST)	
65	REMOTE JET	
66	BOOT, RETAINER	
67	LEVER, THROTTLE	
68	SPRING	

PARTS LIST

C1Q AIRHEAD TYPE

REF	PART NAME	C1Q S118.A-B	C1Q S118C	C1Q S119.A	C1Q S119B	C1Q S120.A	C1Q S120B	C1Q S121.A
	Venturi	13.5mm	13.5mm	10mm	10mm	10mm	10mm	10mm
★	Rebuild Kit	RB-151	RB-151	RB-150	RB-150	RB-150	RB-150	RB-150
●	Gasket & Diaphragm Kit	★ GND-84	★ GND-84	★ GND-56	★ GND-56	★ GND-56	★ GND-56	★ GND-56
▲	Cover Kit, Pump	K017089	K017089	-----	-----	-----	-----	-----
■	Base Kit, Primer	-----	-----	-----	-----	-----	-----	-----
	Body Kit, Airhead	K088003	K088004	K088001	K088001	K088002	K088002	K088001
1	Strainer	★ 0004011	★ 0004011	★ 0004011	★ 0004011	★ 0004011	★ 0004011	★ 0004011
2	Strainer	-----	-----	-----	-----	-----	-----	-----
3	Strainer	-----	-----	-----	-----	-----	-----	-----
4	Plug, Welch	★ 0005013	★ 0005013	★ 0005013	★ 0005013	★ 0005013	★ 0005013	★ 0005013
5	Plug, Welch	-----	-----	-----	-----	-----	-----	-----
6	Valve, Check	-----	-----	-----	-----	-----	-----	-----
7	Retainer, Check Valve	-----	-----	-----	-----	-----	-----	-----
8	Retainer, Syringe	-----	-----	-----	-----	-----	-----	-----
9	Nozzle Ass'y, Check Valve	-----	-----	A007243	A007243	A007243	A007243	A007243
10	Shaft Ass'y, Throttle	A011255	A011255	A011253	A011253	A011253	A011253	A011253
11	Lever, Throttle	0012290	0012336	0012266	0012266	0012266	0012266	0012266
12	Spring, Throttle Return	0013016	0013016	0013121	0013121	0013121	0013121	0013121
13	Valve, Throttle	0014131	0014131	0014132	0014132	0014132	0014132	0014132
14	Diaphragm Ass'y, Metering	★● A015056	★● A015056	★● A015053	★● A015053	★● A015053	★● A015053	★● A015053
15	Diaphragm, Pump	★● 0015050	★● 0015050	★● 0015050	★● 0015050	★● 0015050	★● 0015050	★● 0015050
16	Diaphragm, Surge	-----	-----	-----	-----	-----	-----	-----
17	Gasket, Metering Chamber	★● 0016095	★● 0016095	★● 0016085	★● 0016085	★● 0016085	★● 0016085	★● 0016085
18	Gasket, Pump	★● 0016033	★● 0016033	★● 0016033	★● 0016033	★● 0016033	★● 0016033	★● 0016033
19	Cover, Pump	▲ 0017096	▲ 0017096	0017093	0017093	0017093	0017093	0017093
20	Valve, Inlet Needle	★ 0018004	★ 0018004	★ 0018004	★ 0018004	★ 0018004	★ 0018004	★ 0018004
21	Spring, Metering Lever	★ 0019015	★ 0019015	★ 0019036	★ 0019036	★ 0019036	★ 0019036	★ 0019036
22	Lever, Metering	★ 0020012	★ 0020012	★ 0020012	★ 0020012	★ 0020012	★ 0020012	★ 0020012
23	Pin	★ 0021001	★ 0021001	★ 0021001	★ 0021001	★ 0021001	★ 0021001	★ 0021001
24	Cover, Metering Chamber	-----	-----	-----	-----	-----	-----	-----
25	Spring, Adjust Screw	-----	-----	-----	-----	-----	-----	-----
26	Spring, Adjust Screw	-----	-----	-----	-----	-----	-----	-----
27	Screw, Main Mixture	0030249	0030265	0030246	0030246	0030246	0030246	0030246
28	Screw, Idle Mixture	A031025	A031025	A031024	A031024	A031024	A031024	A031024
29	Screw, Throttle Adjust	▲ A035001	▲ A035001	0035081	0035081	0035081	0035081	0035081
30	Piece, Friction	▲ 0036001	▲ 0036001	0036001	0036001	0036001	0036001	0036001
31	Spring, Friction	-----	-----	-----	-----	-----	-----	-----
32	Shaft Ass'y, Choke	A041128	A041128	A041126	A041126	A041126	A041126	A041126
33	Valve, Choke	0043049	0043049	0043058	0043058	0043058	0043058	0043058
34	Post	-----	-----	-----	-----	-----	-----	-----
35	Collar	0052005	0052005	-----	-----	-----	-----	-----
36	Plunger	-----	-----	0053063	0053063	0053063	0053063	0053063
37	Spring (Plunger Return)	0054057	0054057	0054057	0054057	0054057	0054057	0054057
38	Base Ass'y, Primer	-----	-----	-----	-----	-----	-----	-----
39	Syringe	-----	-----	-----	-----	-----	-----	-----
40	Screw (Pin)	14803006	14803006	14803006	14803006	14803006	14803006	14803006
41	Screw (Throttle Valve)	156030045	156030045	156030045	156030045	156030045	156030045	156030045
42	Screw (Choke Valve)	156030045	156030045	156030045	156030045	156030045	156030045	156030045
43	Screw (Post)	-----	-----	-----	-----	-----	-----	-----
44	Screw (Metering Cover)	17103007	17103007	17103007	17103007	17103007	17103007	17103007
45	Screw (Pump Cover)	17004010	17004010	17004010	17004010	17004010	17004010	17004010
46	Screw (Throttle Lever)	-----	-----	17103004	17103004	17103004	17103004	17103004
47	Ball, Steel	-----	-----	-----	-----	-----	-----	-----
48	E-Ring (Throttle Shaft)	-----	-----	-----	-----	-----	-----	-----
49	E-Ring (Post)	19500020	19500020	-----	-----	-----	-----	-----
50	O-Ring (Plunger)	195503510	195503510	195704010	195704010	195704010	195704010	195704010
51	Screw, Retainer	-----	-----	-----	-----	-----	-----	-----
52	E-Ring (Choke Shaft)	19500040	19500040	-----	-----	-----	-----	-----
53	Limitter, Mixture (H)	0061055	0061055	0061055	0061055	0061055	0061055	0061055
54	Limitter, Mixture (L)	-----	-----	-----	-----	-----	-----	-----
55	Washer (Limitter)	-----	-----	-----	-----	-----	-----	-----
56	Retainer (Limitter)	-----	-----	-----	-----	-----	-----	-----
57	Spring, Choke	0013126	0013126	0013124	0013124	0013124	0013124	0013124
58	Lever, Choke Control	-----	-----	-----	-----	-----	-----	-----
59	Lever, Choke	-----	-----	-----	-----	-----	-----	-----
60	Collar, Choke Shaft	-----	-----	-----	-----	-----	-----	-----
61	Screw, Choke Shaft	-----	-----	-----	-----	-----	-----	-----
62	Governor Ass'y	-----	-----	-----	-----	-----	-----	-----
63	Washer (Governor)	-----	-----	-----	-----	-----	-----	-----
64	Washer (Post)	-----	-----	-----	-----	-----	-----	-----
65	Remote Jet	0070131	0070132	0070090	0070090	0070090	0070090	0070087
66	Boot, Retainer	-----	-----	-----	-----	-----	-----	-----
67	Lever, Throttle	-----	-----	0012288	0012288	0012288	0012288	0012288
68	Spring	-----	-----	0013122	0013122	0013122	0013122	0013122

PARTS LIST

C1Q AIRHEAD TYPE

REF	PART NAME	C1Q S121B	C1Q S122.A-B	C1Q S123.A-B	C1Q S167	C1Q S167A	C1Q S191	C1Q S192
	Venturi	10mm	10mm	10mm	13.5mm	13.5mm	10mm	10mm
★	Rebuild Kit	RB-150	RB-150	RB-150	RB-175	RB-175	RB-150	RB-150
●	Gasket & Diaphragm Kit	★ GND-56	★ GND-56	★ GND-56	★ GND-100	★ GND-100	★ GND-56	★ GND-56
▲	Cover Kit, Pump	-----	-----	-----	K017089	K017089	-----	-----
■	Base Kit, Primer	-----	-----	-----	-----	-----	-----	-----
	Body Kit, Airhead	K088001	K088002	K088001	-----	-----	K088001	K088002
1	Strainer	★ 0004011	★ 0004011	★ 0004011	★ 0004011	★ 0004011	★ 0004011	★ 0004011
2	Strainer	-----	-----	-----	-----	-----	-----	-----
3	Strainer	-----	-----	-----	-----	-----	-----	-----
4	Plug, Welch	★ 0005013	★ 0005013	★ 0005013	★ 0005013	★ 0005013	★ 0005013	★ 0005013
5	Plug, Welch	-----	-----	-----	-----	-----	-----	-----
6	Valve, Check	-----	-----	-----	-----	-----	-----	-----
7	Retainer, Check Valve	-----	-----	-----	-----	-----	-----	-----
8	Retainer, Syringe	-----	-----	-----	-----	-----	-----	-----
9	Nozzle Ass'y, Check Valve	A007243	A007243	A007243	-----	-----	A007243	A007243
10	Shaft Ass'y, Throttle	A011253	A011253	A011253	A011255	A011255	A011253	A011253
11	Lever, Throttle	0012266	0012266	0012266	0012290	0012336	0012337	0012337
12	Spring, Throttle Return	0013121	0013121	0013121	0013016	0013016	0013121	0013121
13	Valve, Throttle	0014132	0014132	0014132	0014131	0014131	0014132	0014132
14	Diaphragm Ass'y, Metering	★● A015053	★● A015053	★● A015053	★● A015069	★● A015069	★● A015053	★● A015053
15	Diaphragm, Pump	★● 0015050	★● 0015050	★● 0015050	★● 0015050	★● 0015050	★● 0015050	★● 0015050
16	Diaphragm, Surge	-----	-----	-----	-----	-----	-----	-----
17	Gasket, Metering Chamber	★● 0016085	★● 0016085	★● 0016085	★● 0016095	★● 0016095	★● 0016085	★● 0016085
18	Gasket, Pump	★● 0016033	★● 0016033	★● 0016033	★● 0016033	★● 0016033	★● 0016033	★● 0016033
19	Cover, Pump	0017093	0017093	0017093	▲ 0017096	▲ 0017096	0017093	0017093
20	Valve, Inlet Needle	★ 0018004	★ 0018004	★ 0018004	★ 0018004	★ 0018004	★ 0018004	★ 0018004
21	Spring, Metering Lever	★ 0019036	★ 0019036	★ 0019036	★ 0019015	★ 0019015	★ 0019036	★ 0019036
22	Lever, Metering	★ 0020012	★ 0020012	★ 0020012	★ 0020012	★ 0020012	★ 0020012	★ 0020012
23	Pin	★ 0021001	★ 0021001	★ 0021001	★ 0021001	★ 0021001	★ 0021001	★ 0021001
24	Cover, Metering Chamber	-----	-----	-----	-----	-----	-----	-----
25	Spring, Adjust Screw	-----	-----	-----	-----	-----	-----	-----
26	Spring, Adjust Screw	-----	-----	-----	-----	-----	-----	-----
27	Screw, Main Mixture	0030246	0030246	0030247	0030003	0030003	0030262	0030262
28	Screw, Idle Mixture	A031024	A031024	A031024	A031025	A031025	A031024	A031024
29	Screw, Throttle Adjust	0035081	0035081	0035081	▲ A035001	▲ A035001	0035081	0035081
30	Piece, Friction	0036001	0036001	0036001	▲ 0036001	▲ 0036001	0036001	0036001
31	Spring, Friction	-----	-----	-----	-----	-----	-----	-----
32	Shaft Ass'y, Choke	A041126	A041126	A041126	A041128	A041128	A041143	A041143
33	Valve, Choke	0043058	0043058	0043058	0043049	0043049	0043058	0043058
34	Post	-----	-----	-----	-----	-----	-----	-----
35	Collar	-----	-----	-----	0052005	0052005	-----	-----
36	Plunger	0053063	0053063	0053063	-----	-----	0053063	0053063
37	Spring (Plunger Return)	0054057	0054057	0054057	0054057	0054057	0054057	0054057
38	Base Ass'y, Primer	-----	-----	-----	-----	-----	-----	-----
39	Syringe	-----	-----	-----	-----	-----	-----	-----
40	Screw (Pin)	14803006	14803006	14803006	14803006	14803006	14803006	14803006
41	Screw (Throttle Valve)	156030045	156030045	156030045	156030045	156030045	156030045	156030045
42	Screw (Choke Valve)	156030045	156030045	156030045	156030045	156030045	156030045	156030045
43	Screw (Post)	-----	-----	-----	-----	-----	-----	-----
44	Screw (Metering Cover)	17103007	17103007	17103007	17103007	17103007	17103004	17103004
45	Screw (Pump Cover)	17004010	17004010	17004010	17004010	17004010	17004010	17004010
46	Screw (Throttle Lever)	17103004	17103004	17103004	17303004	17303004	17103007	17103007
47	Ball, Steel	-----	-----	-----	-----	-----	-----	-----
48	E-Ring (Throttle Shaft)	-----	-----	-----	-----	-----	19510040	19510040
49	E-Ring (Post)	-----	-----	-----	-----	-----	-----	-----
50	O-Ring (Plunger)	195704010	195704010	195704010	195503510	195503510	195704010	195704010
51	Screw, Retainer	-----	-----	-----	-----	-----	-----	-----
52	E-Ring (Choke Shaft)	-----	-----	-----	19500040	19500040	-----	-----
53	Limiter, Mixture (H)	0061055	0061055	0061055	-----	-----	0061055	0061055
54	Limiter, Mixture (L)	-----	-----	-----	-----	-----	-----	-----
55	Washer (Limiter)	-----	-----	-----	-----	-----	-----	-----
56	Retainer (Limiter)	-----	-----	-----	-----	-----	-----	-----
57	Spring, Choke	0013124	0013124	0013124	0013126	0013126	0013124	0013124
58	Lever, Choke Control	-----	-----	-----	-----	-----	-----	-----
59	Lever, Choke	-----	-----	-----	-----	-----	-----	-----
60	Collar, Choke Shaft	-----	-----	-----	-----	-----	-----	-----
61	Screw, Choke Shaft	-----	-----	-----	-----	-----	-----	-----
62	Governor Ass'y	-----	-----	-----	-----	-----	-----	-----
63	Washer (Governor)	-----	-----	-----	-----	-----	-----	-----
64	Washer (Post)	-----	-----	-----	-----	-----	-----	-----
65	Remote Jet	0070087	0070087	0070083	0070133	0070133	0070087	0070087
66	Boot, Retainer	-----	-----	-----	-----	-----	-----	-----
67	Lever, Throttle	0012288	0012288	0012288	-----	-----	0012288	0012288
68	Spring	0013122	0013122	0013122	-----	-----	0013122	0013122

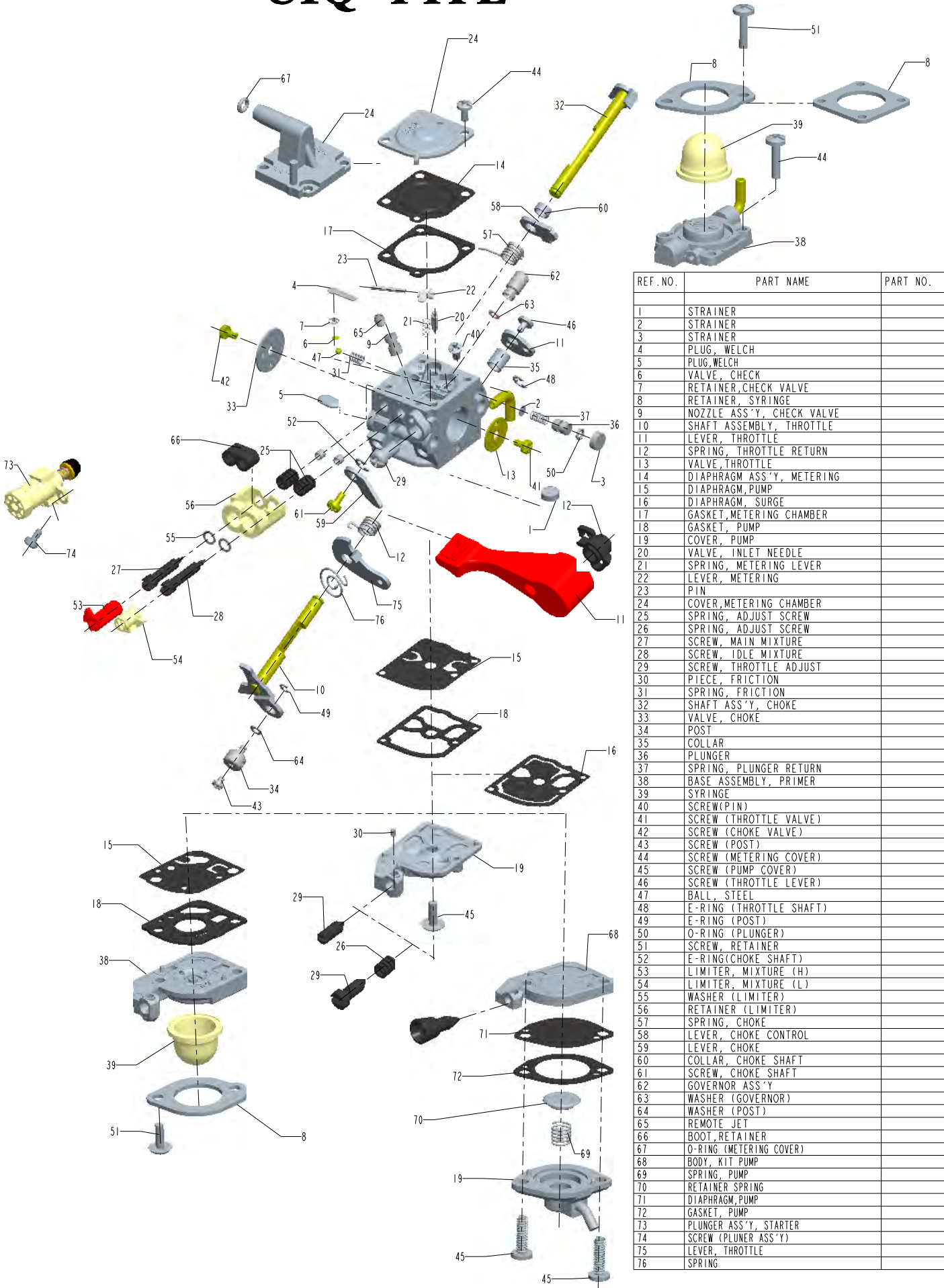
PARTS LIST



C1Q TYPE

* THIS ILLUSTRATION DOES NOT REPRESENT EVERY MODEL. THIS IS INTENDED FOR A GENERIC REFERENCE ONLY.

C1Q TYPE



REF. NO.	PART NAME	PART NO.
1	STRAINER	
2	STRAINER	
3	STRAINER	
4	PLUG, WELCH	
5	PLUG, WELCH	
6	VALVE, CHECK	
7	RETAINER, CHECK VALVE	
8	RETAINER, SYRINGE	
9	NOZZLE ASS'Y, CHECK VALVE	
10	SHAFT ASSEMBLY, THROTTLE	
11	LEVER, THROTTLE	
12	SPRING, THROTTLE RETURN	
13	VALVE, THROTTLE	
14	DIAPHRAGM ASS'Y, METERING	
15	DIAPHRAGM, PUMP	
16	DIAPHRAGM, SURGE	
17	GASKET, METERING CHAMBER	
18	GASKET, PUMP	
19	COVER, PUMP	
20	VALVE, INLET NEEDLE	
21	SPRING, METERING LEVER	
22	LEVER, METERING	
23	PIN	
24	COVER, METERING CHAMBER	
25	SPRING, ADJUST SCREW	
26	SPRING, ADJUST SCREW	
27	SCREW, MAIN MIXTURE	
28	SCREW, IDLE MIXTURE	
29	SCREW, THROTTLE ADJUST	
30	PIECE, FRICTION	
31	SPRING, FRICTION	
32	SHAFT ASS'Y, CHOKE	
33	VALVE, CHOKE	
34	POST	
35	COLLAR	
36	PLUNGER	
37	SPRING, PLUNGER RETURN	
38	BASE ASSEMBLY, PRIMER	
39	SYRINGE	
40	SCREW(PIN)	
41	SCREW (THROTTLE VALVE)	
42	SCREW (CHOKE VALVE)	
43	SCREW (POST)	
44	SCREW (METERING COVER)	
45	SCREW (PUMP COVER)	
46	SCREW (THROTTLE LEVER)	
47	BALL, STEEL	
48	E-RING (THROTTLE SHAFT)	
49	E-RING (POST)	
50	O-RING (PLUNGER)	
51	SCREW, RETAINER	
52	E-RING(CHOKE SHAFT)	
53	LIMITER, MIXTURE (H)	
54	LIMITER, MIXTURE (L)	
55	WASHER (LIMITER)	
56	RETAINER (LIMITER)	
57	SPRING, CHOKE	
58	LEVER, CHOKE CONTROL	
59	LEVER, CHOKE	
60	COLLAR, CHOKE SHAFT	
61	SCREW, CHOKE SHAFT	
62	GOVERNOR ASS'Y	
63	WASHER (GOVERNOR)	
64	WASHER (POST)	
65	REMOTE JET	
66	BOOT, RETAINER	
67	O-RING (METERING COVER)	
68	BODY, KIT PUMP	
69	SPRING, PUMP	
70	RETAINER SPRING	
71	DIAPHRAGM, PUMP	
72	GASKET, PUMP	
73	PLUNGER ASS'Y, STARTER	
74	SCREW (PLUNGER ASS'Y)	
75	LEVER, THROTTLE	
76	SPRING	

PARTS LIST

C1Q TYPE

REF	PART NAME	C1Q DM1	C1Q DM6.A	C1Q DM7.A	C1Q DM8.A-B	C1Q DM9.A-B	C1Q DM10A-B	C1Q DM13.A-B
	Venturi	12.5 mm	12.5 mm	12.5mm	13.5mm	13.5mm	13.5mm	13.5mm
★	Rebuild Kit	RB-72	RB-72	RB-72	RB-72	RB-72	RB-72	RB-119
●	Gasket & Diaphragm Kit	★ GND-35	★ GND-35	★ GND-35	★ GND-35	★ GND-35	★ GND-35	★ GND-27
▲	Cover Kit, Pump	K017042	K017024	K017024	K017024	K017024	K017024	K017081
■	Base Kit, Primer	-----	-----	-----	-----	-----	-----	-----
	Oil Pump Kit	-----	-----	-----	-----	-----	-----	-----
1	Strainer	★ 0004011	★ 0004011	★ 0004011	★ 0004011	★ 0004011	★ 0004011	★ 0004011
2	Strainer	-----	-----	-----	-----	-----	-----	-----
3	Strainer	-----	-----	-----	-----	-----	-----	-----
4	Plug, Welch	★ 0005005	★ 0005005	★ 0005005	★ 0005004	★ 0005004	★ 0005004	★ 0005005
5	Plug, Welch	-----	-----	-----	-----	-----	-----	-----
6	Valve, Check	-----	-----	-----	-----	-----	-----	-----
7	Retainer, Check Valve	-----	-----	-----	-----	-----	-----	-----
8	Retainer, Syringe	-----	-----	-----	-----	-----	-----	-----
9	Nozzle Ass'y, Check Valve	A007079	A007079	A007079	A007136	A007158	A007204	A007222
10	Shaft Ass'y, Throttle	A011110	A011146	A011146	A011146	A011146	A011146	A011224
11	Lever, Throttle	-----	-----	-----	-----	-----	-----	0012210
12	Spring, Throttle Return	0013039	0013039	0013016	0013016	0013016	0013016	0013101
13	Valve, Throttle	0014040	0014032	0014032	0014004	0014004	0014004	0014147
14	Diaphragm Ass'y, Metering	★● A015010	★● A015010	★● A015010	★● A015010	★● A015010	★● A015010	★● A015010
15	Diaphragm, Pump	★● 0015050	★● 0015050	★● 0015050	★● 0015050	★● 0015050	★● 0015050	★● 0015038
16	Diaphragm, Surge	-----	-----	-----	-----	-----	-----	-----
17	Gasket, Metering Chamber	★● 0016019	★● 0016019	★● 0016019	★● 0016019	★● 0016019	★● 0016019	★● 0016019
18	Gasket, Pump	★● 0016033	★● 0016033	★● 0016033	★● 0016033	★● 0016033	★● 0016033	★● 0016033
19	Cover, Pump	▲ 0017025	▲ 0017025	▲ 0017025	▲ 0017025	▲ 0017025	▲ 0017025	▲ 0017089
20	Valve, Inlet Needle	★ 0018004	★ 0018004	★ 0018004	★ 0018004	★ 0018004	★ 0018004	★ 0018004
21	Spring, Metering Lever	★ 0019002	★ 0019002	★ 0019002	★ 0019002	★ 0019002	★ 0019002	★ 0019002
22	Lever, Metering	★ 0020012	★ 0020012	★ 0020012	★ 0020012	★ 0020012	★ 0020012	★ 0020012
23	Pin	★ 0021001	★ 0021001	★ 0021001	★ 0021001	★ 0021001	★ 0021001	★ 0021001
24	Cover, Metering Chamber	0028015	0028022	0028022	0028022	0028022	0028022	0028045
25	Spring, Adjust Screw	0029005	0029005	0029005	0029005	0029005	0029005	0029005
26	Spring, Adjust Screw	-----	-----	-----	-----	-----	-----	-----
27	Screw, Main Mixture	0030113	0030113	0030113	0030167	0030144	0030144	0030228
28	Screw, Idle Mixture	0031034	0031034	0031034	0031172	0031167	0031167	0031229
29	Screw, Throttle Adjust	▲ 0035011	▲ 0035011	▲ 0035011	▲ 0035011	▲ 0035011	▲ 0035011	▲ 0035020
30	Piece, Friction	▲ 0036001	▲ 0036001	▲ 0036001	▲ 0036001	▲ 0036001	▲ 0036001	▲ 0036001
31	Spring, Friction	0038001	-----	-----	-----	-----	-----	0038001
32	Shaft Ass'y, Choke	A041050	A041076	A041076	A041076	A041076	A041076	A041111
33	Valve, Choke	0043027	0043027	0043027	0043027	0043027	0043027	0043018
34	Post	-----	-----	-----	-----	-----	-----	-----
35	Collar	-----	-----	-----	-----	-----	-----	-----
36	Plunger	-----	-----	-----	-----	-----	-----	-----
37	Spring (Plunger Return)	-----	-----	-----	-----	-----	-----	-----
38	Base Ass'y, Primer	-----	-----	-----	-----	-----	-----	-----
39	Syringe	-----	-----	-----	-----	-----	-----	-----
40	Screw (Pin)	14803006	14803006	14803006	14803006	14803006	14803006	14803006
41	Screw (Throttle Valve)	156030045	15603004	15603004	15603004	15603004	15603004	15603004
42	Screw (Choke Valve)	156030045	156030045	156030045	156030045	156030045	156030045	156030045
43	Screw (Post)	-----	-----	-----	-----	-----	-----	-----
44	Screw (Metering Cover)	17203006	17203006	17203006	17203006	17203006	17203006	17203006
45	Screw (Pump Cover)	17004010	17004010	17004010	17004010	17004010	17004010	17004010
46	Screw (Throttle Lever)	-----	-----	-----	-----	-----	-----	17103004
47	Ball, Steel	19290030	-----	-----	-----	-----	-----	19290030
48	E-Ring (Throttle Shaft)	19500030	19500030	19500030	19500030	19500030	19500030	-----
49	E-Ring (Post)	-----	-----	-----	-----	-----	-----	-----
50	O-Ring (Plunger)	-----	-----	-----	-----	-----	-----	-----
51	Screw, Retainer	-----	-----	-----	-----	-----	-----	-----
52	E-Ring (Choke Shaft)	-----	19500025	19500025	19500025	19500025	19500025	-----
53	Limiters, Mixture (H)	-----	-----	-----	0061005	-----	-----	0061067
54	Limiters, Mixture (L)	-----	-----	-----	-----	-----	-----	0061067
55	Washer (Limiters)	-----	-----	-----	0026014	0026014	-----	0026014
56	Retainer (Limiters)	-----	-----	-----	-----	-----	-----	-----
57	Spring, Choke	0013039	0013066	0013066	0013066	0013066	0013066	0013102
58	Lever, Choke Control	-----	-----	-----	-----	-----	-----	-----
59	Lever, Choke	-----	-----	-----	-----	-----	-----	0042137
60	Collar, Choke Shaft	-----	-----	-----	-----	-----	-----	-----
61	Screw, Choke Shaft	-----	-----	-----	-----	-----	-----	-----
62	Governor Ass'y	-----	-----	-----	-----	-----	-----	-----
63	Washer (Governor)	-----	-----	-----	-----	-----	-----	-----
64	Washer (Post)	-----	-----	-----	-----	-----	-----	-----
65	Remote Jet	-----	-----	-----	-----	-----	-----	-----
66	Boot, Retainer	-----	-----	-----	-----	-----	-----	-----
67	O-Ring (Metering Cover)	-----	-----	-----	-----	-----	-----	-----
68	Body, Kit Pump	-----	-----	-----	-----	-----	-----	-----
69	Spring, Pump	-----	-----	-----	-----	-----	-----	-----
70	Retainer Spring	-----	-----	-----	-----	-----	-----	-----
71	Diaphragm, Pump	-----	-----	-----	-----	-----	-----	-----
72	Gasket, Pump	-----	-----	-----	-----	-----	-----	-----
73	Plunger Ass'y, Starter	-----	-----	-----	-----	-----	-----	-----
74	Screw (Plunger Ass'y)	-----	-----	-----	-----	-----	-----	-----
75	Lever, Throttle	-----	-----	-----	-----	-----	-----	-----
76	Spring	-----	-----	-----	-----	-----	-----	-----

PARTS LIST

C1Q TYPE

REF	PART NAME	C1Q DM14.A	C1Q DM15.A	C1Q DM16	C1Q E3	C1Q E4	C1Q E5	C1Q E5A
	Venturi	13.5mm	13.5mm	13.5mm	11 mm	11 mm	9.5 mm	9.5 mm
★	Rebuild Kit	RB-119	RB-72	RB-72	RB-47	RB-47	RB-55	RB-54
●	Gasket & Diaphragm Kit	★ GND-27	★ GND-35	★ GND-35	★ GND-18	★ GND-18	★ GND-39	★ GND-27
▲	Cover Kit, Pump	K017081	K017024	K017024			K017025	K017025
■	Base Kit, Primer				K056003	K056003		
	Oil Pump Kit							
1	Strainer	★ 0004011	★ 0004011	★ 0004011	★ 0004004	★ 0004004	★ 0004009	★ 0004009
2	Strainer							
3	Strainer							
4	Plug, Welch	★ 0005005	★ 0005004	★ 0005004	★ 0005010	★ 0005010	★ 0005010	★ 0005010
5	Plug, Welch							
6	Valve, Check							
7	Retainer, Check Valve							
8	Retainer, Syringe				0009015	0009015		
9	Nozzle Ass'y, Check Valve	A007222	A007158	A007204	A007023	A007023	A007058	A007066
10	Shaft Ass'y, Throttle	A011224	A011282	A011282	A011072	A011072	K011093	K011093
11	Lever, Throttle	0012210	0012171	0012171			0012089	0012089
12	Spring, Throttle Return	0013101	0013016	0013016	0013016	0013016	0013016	0013016
13	Valve, Throttle	0014147	0014004	0014004	0014008	0014008	0014004	0014029
14	Diaphragm Ass'y, Metering	★● A015010	★● A015010	★● A015010	★● A015010	★● A015010	★● A015011	★● A015010
15	Diaphragm, Pump	★● 0015038	★● 0015050	★● 0015050	★● 0015051	★● 0015051	★● 0015050	★● 0015050
16	Diaphragm, Surge							
17	Gasket, Metering Chamber	★● 0016019	★● 0016019	★● 0016019	★● 0016019	★● 0016019	★● 0016021	★● 0016019
18	Gasket, Pump	★● 0016033	★● 0016033	★● 0016033	★● 0016046	★● 0016046	★● 0016033	★● 0016033
19	Cover, Pump	▲ 0017089	▲ 0017025	▲ 0017025			▲ 0017025	▲ 0017025
20	Valve, Inlet Needle	★ 0018004	★ 0018004	★ 0018004	★ 0018004	★ 0018004	★ 0018004	★ 0018004
21	Spring, Metering Lever	★ 0019002	★ 0019002	★ 0019002	★ 0019002	★ 0019002	★ 0019014	★ 0019014
22	Lever, Metering	★ 0020012	★ 0020012	★ 0020012	★ 0020012	★ 0020012	★ 0020012	★ 0020012
23	Pin	★ 0021001	★ 0021001	★ 0021001	★ 0021001	★ 0021001	★ 0021001	★ 0021001
24	Cover, Metering Chamber	0028045	0028022	0028022	0028022	0028022	0028023	0028022
25	Spring, Adjust Screw	0029005	0029005	0029005	0029005	0029005	0029005	0029005
26	Spring, Adjust Screw						▲ 0029007	▲ 0029007
27	Screw, Main Mixture	0030158	0030144	0030144	0030032	0030032	0030073	0030073
28	Screw, Idle Mixture	0031156	0031167	0031167	0031052	0031052	0031071	0031071
29	Screw, Throttle Adjust	▲ 0035020	▲ 0035011	▲ 0035011	■ 0035007	■ 0035007	▲ 0035029	▲ 0035029
30	Piece, Friction	▲ 0036001	▲ 0036001	▲ 0036001	■ 0036001	■ 0036001	▲ 0036001	▲ 0036001
31	Spring, Friction	0038001						
32	Shaft Ass'y, Choke	A041111	A041702	A041140				
33	Valve, Choke	0043018	0043027	0043027				
34	Post				0045002	0045002		
35	Collar		0052013	0052013			0052007	
36	Plunger							
37	Spring (Plunger Return)							
38	Base Ass'y, Primer				■ A056015	■ A056015		
39	Syringe				0057003	0057003		
40	Screw (Pin)	14803006	14803006	14803006	14803006	14803006	14803006	14803006
41	Screw (Throttle Valve)	15603004	15603004	15603004	15603004	15603004	15603004	15603004
42	Screw (Choke Valve)	156030045	156030045	156030045				
43	Screw (Post)							
44	Screw (Metering Cover)	17203006	17203006	17203006	17203006	17203006	17203006	17203006
45	Screw (Pump Cover)	17004010	17004010	17004010			17004010	17004010
46	Screw (Throttle Lever)	17103004	17103004	17103004			17103004	17103004
47	Ball, Steel	19290030	19290030					
48	E-Ring (Throttle Shaft)		19510040	19510040	19500030	19500030		19500040
49	E-Ring (Post)				19500040	19500040		
50	O-Ring (Plunger)							
51	Screw, Retainer				17104015	17104015		
52	E-Ring (Choke Shaft)							
53	Limiter, Mixture (H)	0061027						
54	Limiter, Mixture (L)	0061028						
55	Washer (Limiter)	0026014	0026037	0026037				
56	Retainer (Limiter)	0009031						
57	Spring, Choke	0013102	0013090	0013149				
58	Lever, Choke Control		0042137	0042137				
59	Lever, Choke	0042137	0042200	0042200				
60	Collar, Choke Shaft							
61	Screw, Choke Shaft							
62	Governor Ass'y							
63	Washer (Governor)							
64	Washer (Post)							
65	Remote Jet							
66	Boot, Retainer	0051027						
67	O-Ring (Metering Cover)							
68	Body, Kit Pump							
69	Spring, Pump							
70	Retainer Spring							
71	Diaphragm, Pump							
72	Gasket, Pump							
73	Plunger Ass'y, Starter							
74	Screw (Plunger Ass'y)							
75	Lever, Throttle							
76	Spring							

PARTS LIST

C1Q TYPE

REF	PART NAME	C1Q E5B	C1Q E6.A	C1Q E7.A	C1Q E10	C1Q E12	C1Q E11	C1Q E15.A
	Venturi	9.5 mm	11 mm	10 mm	10 mm	10 mm	13.5 mm	13.5 mm
★	Rebuild Kit	RB-74	RB-47	RB-76	RB-76	RB-76	RB-45	RB-45
●	Gasket & Diaphragm Kit	★ GND-27	★ GND-18	★ GND-41	★ GND-41	★ GND-41	★ GND-33	★ GND-33
▲	Cover Kit, Pump	K017025	-----	-----	-----	K017040	K017017	K017017
■	Base Kit, Primer	-----	K056003	K056036	K056036	-----	-----	-----
	Oil Pump Kit	-----	-----	-----	-----	-----	-----	-----
1	Strainer	★ 0004009	★ 0004004	★ 0004004	★ 0004004	★ 0004004	★ 0004009	★ 0004009
2	Strainer	-----	-----	-----	-----	-----	-----	-----
3	Strainer	-----	-----	-----	-----	-----	-----	-----
4	Plug, Welch	★ 0005005	★ 0005010	★ 0005005	★ 0005005	★ 0005005	★ 0005010	★ 0005010
5	Plug, Welch	-----	-----	-----	-----	-----	-----	-----
6	Valve, Check	-----	-----	-----	-----	-----	-----	-----
7	Retainer, Check Valve	-----	-----	-----	-----	-----	-----	-----
8	Retainer, Syringe	-----	0009015	0009015	0009015	-----	-----	-----
9	Nozzle Ass'y, Check Valve	A007066	A007023	A007119	A007223	A007223	A007028	A007075
10	Shaft Ass'y, Throttle	A011140	A011072	A011214	A011214	A011214	A011060	A011060
11	Lever, Throttle	0012089	-----	-----	-----	-----	0012064	0012064
12	Spring, Throttle Return	0013016	0013016	0013016	0013016	0013016	0013042	0013042
13	Valve, Throttle	0014033	0014008	0014020	0014020	0014020	0014029	0014029
14	Diaphragm Ass'y, Metering	★● A015010	★● A015010	★● A015018	★● A015018	★● A015018	★● A015010	★● A015010
15	Diaphragm, Pump	★● 0015050	★● 0015051	★● 0015051	★● 0015051	★● 0015051	★● 0015057	★● 0015057
16	Diaphragm, Surge	-----	-----	-----	-----	-----	-----	-----
17	Gasket, Metering Chamber	★● 0016019	★● 0016019	★● 0016018	★● 0016018	★● 0016018	★● 0016019	★● 0016019
18	Gasket, Pump	★● 0016033	★● 0016046	★● 0016046	★● 0016046	★● 0016046	★● 0016034	★● 0016034
19	Cover, Pump	▲ 0017025	-----	-----	-----	▲ 0017046	▲ 0017029	▲ 0017029
20	Valve, Inlet Needle	★ 0018004	★ 0018004	★ 0018004	★ 0018004	★ 0018004	★ 0018004	★ 0018004
21	Spring, Metering Lever	★ 0019005	★ 0019002	★ 0019006	★ 0019006	★ 0019006	★ 0019002	★ 0019002
22	Lever, Metering	★ 0020012	★ 0020012	★ 0020012	★ 0020012	★ 0020012	★ 0020012	★ 0020012
23	Pin	★ 0021001	★ 0021001	★ 0021001	★ 0021001	★ 0021001	★ 0021001	★ 0021001
24	Cover, Metering Chamber	0028022	0028022	0028022	0028022	0028022	0028022	0028022
25	Spring, Adjust Screw	0029005	0029001	0029005	-----	-----	0029005	0029001
26	Spring, Adjust Screw	▲ 0029007	-----	-----	-----	-----	▲ 0029007	▲ 0029007
27	Screw, Main Mixture	0030032	0030150	0030157	0030229	0030229	0030043	0030153
28	Screw, Idle Mixture	0031040	0031144	0031034	0031230	0031230	0031043	0031105
29	Screw, Throttle Adjust	▲ 0035029	■ 0035007	■ 0035035	■ 0035035	▲ 0035035	▲ 0035020	▲ 0035020
30	Piece, Friction	▲ 0036001	■ 0036001	■ 0036001	■ 0036001	▲ 0036001	▲ 0036001	▲ 0036001
31	Spring, Friction	-----	-----	-----	-----	-----	-----	-----
32	Shaft Ass'y, Choke	-----	-----	-----	-----	-----	A041021	A041021
33	Valve, Choke	-----	-----	-----	-----	-----	0043019	0043019
34	Post	-----	0045002	0045002	0045002	0045002	-----	-----
35	Collar	-----	-----	-----	-----	-----	0052004	0052004
36	Plunger	-----	-----	-----	-----	-----	-----	-----
37	Spring (Plunger Return)	-----	-----	-----	-----	-----	-----	-----
38	Base Ass'y, Primer	-----	■ A056015	■ A056055	■ A056055	-----	-----	-----
39	Syringe	-----	0057003	0057004	0057004	-----	-----	-----
40	Screw (Pin)	14803006	14803006	14803006	14803006	14803006	14803006	14803006
41	Screw (Throttle Valve)	156030045	15603004	156030045	156030045	156030045	15603004	15603004
42	Screw (Choke Valve)	-----	-----	-----	-----	-----	156030045	156030045
43	Screw (Post)	-----	-----	-----	-----	-----	-----	-----
44	Screw (Metering Cover)	17203006	17203006	17203006	17203006	17203006	17203006	17203006
45	Screw (Pump Cover)	17004010	-----	-----	-----	17104009	17004010	17004010
46	Screw (Throttle Lever)	17103004	-----	-----	-----	-----	17103004	17103004
47	Ball, Steel	-----	-----	-----	-----	-----	-----	-----
48	E-Ring (Throttle Shaft)	19500040	19500030	19500030	19500030	19500030	-----	-----
49	E-Ring (Post)	-----	19500040	19500040	19500040	19500040	-----	-----
50	O-Ring (Plunger)	-----	-----	-----	-----	-----	-----	-----
51	Screw, Retainer	-----	17104015	-----	17104015	-----	-----	-----
52	E-Ring (Choke Shaft)	-----	-----	-----	-----	-----	-----	-----
53	Limiters, Mixture (H)	-----	0061025	-----	-----	K061001	-----	0061027
54	Limiters, Mixture (L)	-----	0061026	-----	-----	K061001	-----	0061028
55	Washer (Limiters)	-----	-----	-----	-----	-----	-----	0026014
56	Retainer (Limiters)	-----	-----	-----	-----	-----	-----	0009031
57	Spring, Choke	-----	-----	-----	-----	-----	0013030	0013030
58	Lever, Choke Control	-----	-----	-----	-----	-----	0042022	0042022
59	Lever, Choke	-----	-----	-----	-----	-----	-----	-----
60	Collar, Choke Shaft	-----	-----	-----	-----	-----	0052005	0052005
61	Screw, Choke Shaft	-----	-----	-----	-----	-----	16403006	16403006
62	Governor Ass'y	-----	-----	-----	-----	-----	-----	-----
63	Washer (Governor)	-----	-----	-----	-----	-----	-----	-----
64	Washer (Post)	-----	-----	-----	-----	-----	-----	-----
65	Remote Jet	-----	-----	-----	-----	-----	-----	-----
66	Boot, Retainer	-----	-----	-----	-----	-----	-----	-----
67	O-Ring (Metering Cover)	-----	-----	-----	-----	-----	-----	-----
68	Body, Kit Pump	-----	-----	-----	-----	-----	-----	-----
69	Spring, Pump	-----	-----	-----	-----	-----	-----	-----
70	Retainer Spring	-----	-----	-----	-----	-----	-----	-----
71	Diaphragm, Pump	-----	-----	-----	-----	-----	-----	-----
72	Gasket, Pump	-----	-----	-----	-----	-----	-----	-----
73	Plunger Ass'y, Starter	-----	-----	-----	-----	-----	-----	-----
74	Screw (Plunger Ass'y)	-----	-----	-----	-----	-----	-----	-----
75	Lever, Throttle	-----	-----	-----	-----	-----	-----	-----
76	Spring	-----	-----	-----	-----	-----	-----	-----

PARTS LIST

C1Q TYPE

REF	PART NAME	C1Q EL6	C1Q EL7	C1Q EL10	C1Q EL11.A-B	C1Q EL12	C1Q EL13	C1Q EL14.A
	Venturi	13.5 mm	13.5 mm	13.5 mm	10mm	10 mm	10.0mm	10mm
★	Rebuild Kit	RB-45	RB-45	RB-45	RB-69	RB-69	RB-69	RB-69
●	Gasket & Diaphragm Kit	GND-33	GND-33	GND-33	GND-39	GND-39	GND-39	GND-39
▲	Cover Kit, Pump	K017017	K017017	K017017	K017041	K017041	K017041	K017041
■	Base Kit, Primer	-----	-----	-----	-----	-----	-----	-----
	Oil Pump Kit	-----	-----	-----	-----	-----	-----	-----
1	Strainer	★ 0004009	★ 0004009	★ 0004009	★ 0004011	★ 0004011	★ 0004011	★ 0004011
2	Strainer	-----	-----	-----	-----	-----	-----	-----
3	Strainer	-----	-----	-----	-----	-----	-----	-----
4	Plug, Welch	★ 0005010	★ 0005010	★ 0005010	-----	-----	-----	-----
5	Plug, Welch	-----	-----	-----	★ 0005013	★ 0005013	★ 0005013	★ 0005013
6	Valve, Check	-----	-----	-----	-----	-----	-----	-----
7	Retainer, Check Valve	-----	-----	-----	-----	-----	-----	-----
8	Retainer, Syringe	-----	-----	-----	-----	-----	-----	-----
9	Nozzle Ass'y, Check Valve	A007115	A007115	A007075	A007137	A007137	A007137	A007232
10	Shaft Ass'y, Throttle	A011107	A011107	A011060	A011150	A011195	A011150	A011195
11	Lever, Throttle	0012064	0012064	0012064	0012099	0012099	0012099	0012099
12	Spring, Throttle Return	0013042	0013042	0013042	0013016	0013016	0013016	0013016
13	Valve, Throttle	0014029	0014029	0014029	0014048	0014048	0014048	0014048
14	Diaphragm Ass'y, Metering	★● A015010	★● A015010	★● A015010	★● A015018	★● A015018	★● A015018	★● A015018
15	Diaphragm, Pump	★● 0015057	★● 0015057	★● 0015057	★● 0015050	★● 0015050	★● 0015050	★● 0015050
16	Diaphragm, Surge	-----	-----	-----	-----	-----	-----	-----
17	Gasket, Metering Chamber	★● 0016019	★● 0016019	★● 0016019	★● 0016018	★● 0016018	★● 0016018	★● 0016018
18	Gasket, Pump	★● 0016034	★● 0016034	★● 0016034	★● 0016033	★● 0016033	★● 0016033	★● 0016033
19	Cover, Pump	▲ 0017029	▲ 0017029	▲ 0017029	▲ 0017025	▲ 0017025	▲ 0017025	▲ 0017025
20	Valve, Inlet Needle	★ 0018004	★ 0018004	★ 0018004	★ 0018004	★ 0018004	★ 0018004	★ 0018004
21	Spring, Metering Lever	★ 0019002	★ 0019002	★ 0019002	★ 0019012	★ 0019012	★ 0019012	★ 0019012
22	Lever, Metering	★ 0020012	★ 0020012	★ 0020012	★ 0020012	★ 0020012	★ 0020012	★ 0020012
23	Pin	★ 0021001	★ 0021001	★ 0021001	★ 0021001	★ 0021001	★ 0021001	★ 0021001
24	Cover, Metering Chamber	0028022	0028022	0028022	0028022	0028022	0028022	0028022
25	Spring, Adjust Screw	0029005	0029001	0029001	0029005	0029005	-----	-----
26	Spring, Adjust Screw	▲ 0029007	▲ 0029007	▲ 0029007	-----	-----	0029005	0029005
27	Screw, Main Mixture	0030043	0030165	0030153	0030140	0030140	0030140	0030140
28	Screw, Idle Mixture	0031140	0031105	0031105	K031088	K031151	K031088	K031151
29	Screw, Throttle Adjust	▲ 0035020	▲ 0035020	▲ 0035020	▲ 0035035	▲ 0035035	▲ 0035035	▲ 0035035
30	Piece, Friction	▲ 0036001	▲ 0036001	▲ 0036001	▲ 0036001	▲ 0036001	▲ 0036001	▲ 0036001
31	Spring, Friction	-----	-----	-----	0038001	0038001	0038001	0038001
32	Shaft Ass'y, Choke	A041047	A041047	A041021	A041079	A041079	A041079	A041079
33	Valve, Choke	0043019	0043019	0043019	0043051	0043051	0043051	0043051
34	Post	-----	-----	-----	-----	-----	-----	-----
35	Collar	0052004	0052004	0052004	0052004	0052004	0052004	0052004
36	Plunger	-----	-----	-----	-----	-----	-----	-----
37	Spring (Plunger Return)	-----	-----	-----	-----	-----	-----	-----
38	Base Ass'y, Primer	-----	-----	-----	-----	-----	-----	-----
39	Syringe	-----	-----	-----	-----	-----	-----	-----
40	Screw (Pin)	14803006	14803006	14803006	14803006	14803006	14803006	14803006
41	Screw (Throttle Valve)	15603004	15603004	15603004	15603004	15603004	15603004	15603004
42	Screw (Choke Valve)	156030045	156030045	156030045	156030045	156030045	156030045	156030045
43	Screw (Post)	-----	-----	-----	-----	-----	-----	-----
44	Screw (Metering Cover)	17203006	17203006	17203006	17203006	17203006	17203006	17203006
45	Screw (Pump Cover)	17004010	17004010	17004010	17004010	17004010	17004010	17004010
46	Screw (Throttle Lever)	17103004	17103004	17103004	17103004	17103004	17103004	17103004
47	Ball, Steel	-----	-----	-----	19290030	19290030	19290030	19290030
48	E-Ring (Throttle Shaft)	-----	-----	-----	-----	-----	-----	-----
49	E-Ring (Post)	-----	-----	-----	-----	-----	-----	-----
50	O-Ring (Plunger)	-----	-----	-----	-----	-----	-----	-----
51	Screw, Retainer	-----	-----	-----	-----	-----	-----	-----
52	E-Ring (Choke Shaft)	-----	-----	-----	-----	-----	-----	-----
53	Limiters, Mixture (H)	-----	0061027	0061027	0061005	0061005	0061009	0061005
54	Limiters, Mixture (L)	-----	0061028	0061028	-----	0061010	-----	0061010
55	Washer (Limiters)	-----	0026006	0026014	0026014	0026014	0026014	0026014
56	Retainer (Limiters)	-----	0009031	0009031	-----	-----	-----	-----
57	Spring, Choke	0013071	0013071	0013030	0013068	0013068	0013068	0013068
58	Lever, Choke Control	0042022	0042022	0042022	0042081	0042081	0042087	0042087
59	Lever, Choke	-----	-----	-----	-----	-----	-----	-----
60	Collar, Choke Shaft	-----	-----	0052005	0052005	0052005	0052005	0052005
61	Screw, Choke Shaft	16403006	16403006	16403006	16403006	16403006	16403006	16403006
62	Governor Ass'y	-----	-----	-----	-----	-----	-----	-----
63	Washer (Governor)	-----	-----	-----	-----	-----	-----	-----
64	Washer (Post)	-----	-----	-----	-----	-----	-----	-----
65	Remote Jet	-----	-----	-----	-----	-----	-----	-----
66	Boot, Retainer	-----	-----	-----	-----	-----	-----	-----
67	O-Ring (Metering Cover)	-----	-----	-----	-----	-----	-----	-----
68	Body, Kit Pump	-----	-----	-----	-----	-----	-----	-----
69	Spring, Pump	-----	-----	-----	-----	-----	-----	-----
70	Retainer Spring	-----	-----	-----	-----	-----	-----	-----
71	Diaphragm, Pump	-----	-----	-----	-----	-----	-----	-----
72	Gasket, Pump	-----	-----	-----	-----	-----	-----	-----
73	Plunger Ass'y, Starter	-----	-----	-----	-----	-----	-----	-----
74	Screw (Plunger Ass'y)	-----	-----	-----	-----	-----	-----	-----
75	Lever, Throttle	-----	-----	-----	-----	-----	-----	-----
76	Spring	-----	-----	-----	-----	-----	-----	-----

PARTS LIST

C1Q TYPE

REF	PART NAME	C1Q EL19.A-C	C1Q EL20A-C	C1Q EL21.A	C1Q EL22.A	C1Q EL23.A	C1Q EL24.A	C1Q EL25.A
	Venturi	13.5 mm	13.5 mm	13.5 mm	13.5 mm	13.5 mm	10 mm	8.8 mm
★	Rebuild Kit	RB-108	RB-109	RB-41	RB-41	RB-41	RB-69	RB-69
●	Gasket & Diaphragm Kit	GND-39	GND-59	GND-35	GND-35	GND-35	GND-39	GND-39
▲	Cover Kit, Pump	K017074	K017074	K017041	K017041	K017041	K017041	K017041
■	Base Kit, Primer	-----	-----	-----	-----	-----	-----	-----
	Oil Pump Kit	-----	-----	-----	-----	-----	-----	-----
1	Strainer	★ 0004011	★ 0004011	★ 0004011	★ 0004011	★ 0004011	★ 0004011	★ 0004011
2	Strainer	-----	-----	-----	-----	-----	-----	-----
3	Strainer	-----	-----	-----	-----	-----	-----	-----
4	Plug, Welch	★ 0005004	★ 0005004	★ 0005004	★ 0005004	★ 0005004	-----	-----
5	Plug, Welch	-----	-----	-----	-----	-----	★ 0005013	★ 0005013
6	Valve, Check	-----	-----	-----	-----	-----	-----	-----
7	Retainer, Check Valve	-----	-----	-----	-----	-----	-----	-----
8	Retainer, Syringe	-----	0009065	-----	-----	-----	-----	-----
9	Nozzle Ass'y, Check Valve	A007214	A007214	A007237	A007237	A007237	A007232	A007232
10	Shaft Ass'y, Throttle	A011186	A011186	A011187	A011187	A011187	A011195	A011195
11	Lever, Throttle	0012179	0012179	0012099	0012099	0012099	0012099	0012099
12	Spring, Throttle Return	0013016	0013016	0013078	0013078	0013078	0013016	0013016
13	Valve, Throttle	0014111	0014111	0014004	0014004	0014004	0014048	0014048
14	Diaphragm Ass'y, Metering	★● A015018	★● A015044	★● A015010	★● A015010	★● A015010	★● A015018	★● A015018
15	Diaphragm, Pump	★● 0015050	★● 0015050	★● 0015050	★● 0015050	★● 0015050	★● 0015050	★● 0015050
16	Diaphragm, Surge	-----	-----	-----	-----	-----	-----	-----
17	Gasket, Metering Chamber	★● 0016018	★● 0016033	★● 0016019	★● 0016019	★● 0016019	★● 0016018	★● 0016018
18	Gasket, Pump	★● 0016033	★● 0016078	★● 0016033	★● 0016033	★● 0016033	★● 0016033	★● 0016033
19	Cover, Pump	▲ A017043	▲ A017043	▲ 0017025	▲ 0017025	▲ 0017025	▲ 0017025	▲ 0017025
20	Valve, Inlet Needle	★ 0018004	★ 0018004	★ 0018004	★ 0018004	★ 0018004	★ 0018004	★ 0018004
21	Spring, Metering Lever	★ 0019009	★ 0019009	★ 0019012	★ 0019012	★ 0019012	★ 0019012	★ 0019012
22	Lever, Metering	★ 0020012	★ 0020012	★ 0020012	★ 0020012	★ 0020012	★ 0020012	★ 0020012
23	Pin	★ 0021001	★ 0021001	★ 0021001	★ 0021001	★ 0021001	★ 0021001	★ 0021001
24	Cover, Metering Chamber	0028022	0028022	0028022	0028022	0028022	0028022	0028022
25	Spring, Adjust Screw	-----	-----	-----	-----	0029005	0029005	0029005
26	Spring, Adjust Screw	-----	-----	-----	-----	-----	-----	-----
27	Screw, Main Mixture	0030190	0030190	0030198	0030198	0030201	0030140	0030140
28	Screw, Idle Mixture	0031198	0031198	0031199	0031199	0031204	K031151	K031151
29	Screw, Throttle Adjust	▲ 0035033	▲ 0035033	▲ 0035035	▲ 0035035	▲ 0035035	▲ 0035035	▲ 0035035
30	Piece, Friction	▲ 0036001	▲ 0036001	▲ 0036001	▲ 0036001	▲ 0036001	▲ 0036001	▲ 0036001
31	Spring, Friction	0038001	0038001	0038001	0038001	0038001	0038001	0038001
32	Shaft Ass'y, Choke	A041093	A041093	A041079	A041079	A041079	A041079	A041079
33	Valve, Choke	0043010	0043010	0043051	0043051	0043051	0043057	0043057
34	Post	-----	-----	-----	-----	-----	-----	-----
35	Collar	0052004	0052004	0052004	0052004	0052004	0052005	0052004
36	Plunger	-----	-----	-----	-----	-----	-----	-----
37	Spring (Plunger Return)	-----	-----	-----	-----	-----	-----	-----
38	Base Ass'y, Primer	-----	A056095	-----	-----	-----	-----	-----
39	Syringe	-----	0057004	-----	-----	-----	-----	-----
40	Screw (Pin)	14803006	14803006	14803006	14803006	14803006	14803006	14803006
41	Screw (Throttle Valve)	156030045	156030045	15603004	15603004	15603004	15603004	15603004
42	Screw (Choke Valve)	156030045	156030045	156030045	156030045	156030045	156030045	156030045
43	Screw (Post)	-----	-----	-----	-----	-----	-----	-----
44	Screw (Metering Cover)	17203006	17203012	17203006	17203006	17203006	17203006	17203006
45	Screw (Pump Cover)	17004010	17004010	17004010	17004010	17004010	17004010	17004010
46	Screw (Throttle Lever)	17103004	17103004	17103004	17103004	17103004	17103004	17103004
47	Ball, Steel	19290030	19290030	19290030	19290030	19290030	19290030	19290030
48	E-Ring (Throttle Shaft)	-----	-----	-----	-----	-----	-----	-----
49	E-Ring (Post)	-----	-----	-----	-----	-----	-----	-----
50	O-Ring (Plunger)	-----	-----	-----	-----	-----	-----	-----
51	Screw, Retainer	-----	-----	-----	-----	-----	-----	-----
52	E-Ring (Choke Shaft)	-----	-----	-----	-----	-----	-----	-----
53	Limiters, Mixture (H)	0061027	0061027	0061027	0061027	-----	0061005	0061005
54	Limiters, Mixture (L)	0061028	0061028	0061028	0061028	-----	0061010	0061010
55	Washer (Limiters)	0026014	0026014	0026014	0026014	-----	0026014	0026014
56	Retainer (Limiters)	0009031	0009031	0009031	0009031	-----	-----	-----
57	Spring, Choke	0013071	0013071	0013068	0013068	0013068	0013068	0013068
58	Lever, Choke Control	-----	-----	-----	-----	-----	0042081	0042081
59	Lever, Choke	0042103	0042103	0042081	0042087	0042087	-----	-----
60	Collar, Choke Shaft	0052013	0052013	0052005	0052005	0052005	0052005	0052005
61	Screw, Choke Shaft	-----	-----	16403006	16403006	16403006	16403006	16403006
62	Governor Ass'y	-----	-----	-----	-----	-----	-----	-----
63	Washer (Governor)	-----	-----	-----	-----	-----	-----	-----
64	Washer (Post)	-----	-----	-----	-----	-----	-----	-----
65	Remote Jet	-----	-----	-----	-----	-----	-----	-----
66	Boot, Retainer	0051027	0051027	0051027	0051027	-----	-----	-----
67	O-Ring (Metering Cover)	-----	-----	-----	-----	-----	-----	-----
68	Body, Kit Pump	-----	-----	-----	-----	-----	-----	-----
69	Spring, Pump	-----	-----	-----	-----	-----	-----	-----
70	Retainer Spring	-----	-----	-----	-----	-----	-----	-----
71	Diaphragm, Pump	-----	-----	-----	-----	-----	-----	-----
72	Gasket, Pump	-----	-----	-----	-----	-----	-----	-----
73	Plunger Ass'y, Starter	-----	-----	-----	-----	-----	-----	-----
74	Screw (Plunger Ass'y)	-----	-----	-----	-----	-----	-----	-----
75	Lever, Throttle	-----	-----	-----	-----	-----	-----	-----
76	Spring	-----	-----	-----	-----	-----	-----	-----

PARTS LIST

C1Q TYPE

REF	PART NAME	C1Q EL26.A	C1Q EL27	C1Q EL30.A-B	C1Q EL33.A	C1Q EL34	C1Q EL36.A-B	C1Q EL38
	Venturi	8.8 mm	13.5 mm	10 mm	13.5 mm	13.5 mm	10 mm	10 mm
★	Rebuild Kit	RB-69	RB-41	RB-118	RB-137	RB-138	RB-118	RB-118
●	Gasket & Diaphragm Kit	GND-39	GND-35	GND-39	GND-39	GND-59	GND-39	GND-39
▲	Cover Kit, Pump	K017041	K017041	K017084	K017074	K017074	K017084	K017084
■	Base Kit, Primer	-----	-----	-----	-----	-----	-----	-----
	Oil Pump Kit	-----	-----	-----	-----	-----	-----	-----
1	Strainer	★ 0004011	★ 0004011	★ 0004009	★ 0004011	★ 0004011	★ 0004009	★ 0004009
2	Strainer	-----	-----	-----	0004005	0004005	-----	-----
3	Strainer	-----	-----	-----	★ 0004006	★ 0004006	-----	-----
4	Plug, Welch	-----	★ 0005004	★ 0005004	★ 0005004	★ 0005004	★ 0005004	★ 0005004
5	Plug, Welch	★ 0005013	-----	-----	★ 0005009	★ 0005009	-----	-----
6	Valve, Check	-----	-----	-----	-----	-----	-----	-----
7	Retainer, Check Valve	-----	-----	-----	-----	-----	-----	-----
8	Retainer, Syringe	-----	-----	-----	-----	-----	-----	-----
9	Nozzle Ass'y, Check Valve	A007232	A007237	A007231	A007214	A007214	A007231	A007231
10	Shaft Ass'y, Throttle	A011195	A011212	A011227	A011233	A011233	A011246	A011257
11	Lever, Throttle	0012099	-----	0012225	0012179	0012179	0012225	0012225
12	Spring, Throttle Return	0013016	0013016	0013105	0013016	0013016	0013116	0013116
13	Valve, Throttle	0014048	0014119	0014031	0014111	0014111	0014031	0014031
14	Diaphragm Ass'y, Metering	★● A015018	★● A015010	★● A015018	★● A015018	★● A015044	★● A015018	★● A015018
15	Diaphragm, Pump	★● 0015050	★● 0015050	★● 0015050	★● 0015050	★● 0015050	★● 0015050	★● 0015050
16	Diaphragm, Surge	-----	-----	-----	-----	-----	-----	-----
17	Gasket, Metering Chamber	★● 0016018	★● 0016019	★● 0016018	★● 0016018	★● 0016033	★● 0016018	★● 0016018
18	Gasket, Pump	★● 0016033	★● 0016033	★● 0016033	★● 0016033	★● 0016078	★● 0016033	★● 0016033
19	Cover, Pump	▲ 0017025	▲ 0017025	▲ 0017092	▲ A017043	▲ A017043	▲ 0017092	▲ 0017092
20	Valve, Inlet Needle	★ 0018004	★ 0018004	★ 0018004	★ 0018004	★ 0018004	★ 0018004	★ 0018004
21	Spring, Metering Lever	★ 0019012	★ 0019012	★ 0019012	★ 0019009	★ 0019009	★ 0019012	★ 0019012
22	Lever, Metering	★ 0020012	★ 0020012	★ 0020012	★ 0020012	★ 0020012	★ 0020012	★ 0020012
23	Pin	★ 0021001	★ 0021001	★ 0021001	★ 0021001	★ 0021001	★ 0021001	★ 0021001
24	Cover, Metering Chamber	0028022	0028022	0028022	0028022	-----	0028022	0028022
25	Spring, Adjust Screw	0029005	-----	-----	-----	-----	-----	-----
26	Spring, Adjust Screw	-----	-----	-----	-----	-----	-----	-----
27	Screw, Main Mixture	0030140	0030198	0030234	0030234	0030234	0030234	0030234
28	Screw, Idle Mixture	K031151	0031199	0031233	0031233	0031233	0031233	0031233
29	Spring, Throttle Adjust	▲ 0035035	▲ 0035035	▲ 0035035	▲ 0035033	▲ 0035033	▲ 0035035	▲ 0035035
30	Piece, Friction	▲ 0036001	▲ 0036001	▲ 0036001	▲ 0036001	▲ 0036001	▲ 0036001	▲ 0036001
31	Spring, Friction	0038001	0038001	0038001	0038001	0038001	0038001	0038001
32	Shaft Ass'y, Choke	A041079	A041105	A041113	A041093	A041093	A041123	A041127
33	Valve, Choke	0043051	0043057	0043051	0043010	0043010	0043057	0043057
34	Post	-----	-----	-----	-----	-----	-----	-----
35	Collar	0052004	-----	0052001	0052013	0052013	0052001	0052001
36	Plunger	-----	-----	-----	K053030	0053044	-----	-----
37	Spring (Plunger Return)	-----	-----	-----	0054057	0054057	-----	-----
38	Base Ass'y, Primer	-----	-----	-----	-----	A056095	-----	-----
39	Syringe	-----	-----	-----	-----	0057004	-----	-----
40	Screw (Pin)	14803006	14803006	14803006	14803006	14803006	14803006	14803006
41	Screw (Throttle Valve)	15603004	15603004	15603004	156030045	156030045	15603004	15603004
42	Screw (Choke Valve)	156030045	156030045	156030045	156030045	156030045	156030045	156030045
43	Screw (Post)	-----	-----	-----	-----	-----	-----	-----
44	Screw (Metering Cover)	17203006	17203006	17203006	17203006	17203012	17203006	17203006
45	Screw (Pump Cover)	17004010	17004010	17004010	17004010	17004010	17004010	17004010
46	Screw (Throttle Lever)	17103004	-----	17103004	17103004	17103004	17103004	17103004
47	Ball, Steel	19290030	19290030	19290030	19290030	19290030	19290030	19290030
48	E-Ring (Throttle Shaft)	-----	19500030	19500030	-----	-----	19500030	19500030
49	E-Ring (Post)	-----	-----	-----	-----	-----	-----	-----
50	O-Ring (Plunger)	-----	-----	-----	-----	195602308	-----	-----
51	Screw, Retainer	-----	-----	-----	-----	-----	-----	-----
52	E-Ring (Choke Shaft)	-----	-----	-----	-----	-----	-----	-----
53	Limiters, Mixture (H)	0061005	0061027	K061002	K061002	K061002	K061002	K061002
54	Limiters, Mixture (L)	0061010	0061028	K061002	K061002	K061002	K061002	K061002
55	Washer (Limiters)	0026014	0026014	-----	-----	-----	-----	-----
56	Retainer (Limiters)	-----	0009031	-----	-----	0009065	-----	-----
57	Spring, Choke	0013068	-----	-----	0013071	0013071	0013115	0013115
58	Lever, Choke Control	0042087	-----	-----	-----	-----	0042162	0042162
59	Lever, Choke	-----	-----	0042140	0042103	0042103	0042164	-----
60	Collar, Choke Shaft	0052005	-----	-----	0052004	0052004	0052017	-----
61	Screw, Choke Shaft	16403006	16403006	-----	-----	-----	-----	-----
62	Governor Ass'y	-----	-----	-----	-----	-----	-----	-----
63	Washer (Governor)	-----	-----	-----	-----	-----	-----	-----
64	Washer (Post)	-----	-----	-----	-----	-----	-----	-----
65	Remote Jet	-----	-----	-----	-----	-----	-----	-----
66	Boot, Retainer	-----	0051027	-----	-----	-----	-----	-----
67	O-Ring (Metering Cover)	-----	-----	-----	-----	-----	-----	-----
68	Body, Kit Pump	-----	-----	-----	-----	-----	-----	-----
69	Spring, Pump	-----	-----	-----	-----	-----	-----	-----
70	Retainer Spring	-----	-----	-----	-----	-----	-----	-----
71	Diaphragm, Pump	-----	-----	-----	-----	-----	-----	-----
72	Gasket, Pump	-----	-----	-----	-----	-----	-----	-----
73	Plunger Ass'y, Starter	-----	-----	-----	-----	-----	-----	-----
74	Screw (Plunger Ass'y)	-----	-----	-----	-----	-----	-----	-----
75	Lever, Throttle	-----	-----	0012224	-----	-----	0012264	-----
76	Spring	-----	-----	0013706	-----	-----	0013706	-----

PARTS LIST

C1Q TYPE

REF	PART NAME	C1Q EL39.A	C1Q EL45	C1Q H14-B	C1Q H17A.B	C1Q H17C-D	C1Q H19-C	C1Q H27
	Venturi	10 mm	8.8mm	14 mm	10 mm	11 mm	14 mm	14 mm
★	Rebuild Kit	RB-118	RB-118	RB-39	RB-54	RB-54	RB-39	RB-39
●	Gasket & Diaphragm Kit	GND-39	GND-39	GND-27	GND-27	GND-27	GND-27	GND-27
▲	Cover Kit, Pump	K017084	K017084	K017014	K017014	K017028	-----	-----
■	Base Kit, Primer	-----	-----	-----	-----	-----	-----	-----
	Oil Pump Kit	-----	-----	-----	-----	-----	-----	-----
1	Strainer	★ 0004009	★ 0004009	★ 0004009	★ 0004009	★ 0004009	★ 0004009	★ 0004009
2	Strainer	-----	-----	-----	0004002	0004002	-----	-----
3	Strainer	-----	-----	-----	-----	-----	-----	-----
4	Plug, Welch	★ 0005004	★ 0005004	★ 0005005	★ 0005010	★ 0005010	★ 0005005	★ 0005005
5	Plug, Welch	-----	-----	-----	-----	-----	-----	-----
6	Valve, Check	-----	-----	0008004	-----	0008004	0008004	0008004
7	Retainer, Check Valve	-----	-----	0009008	-----	0009008	0009008	0009008
8	Retainer, Syringe	-----	-----	-----	-----	-----	-----	-----
9	Nozzle Ass'y, Check Valve	A007231	A007231	A007042	A007024	A007024	A007042	A007042
10	Shaft Ass'y, Throttle	A011257	A011257	A011056	A011067	A011067	A011053	A011056
11	Lever, Throttle	0012225	0012704	-----	-----	-----	-----	-----
12	Spring, Throttle Return	0013116	0013116	0013016	0013016	0013016	0013016	0013016
13	Valve, Throttle	0014031	0014031	0014004	0014004	0014004	0014004	0014004
14	Diaphragm Ass'y, Metering	★● A015018	★● A015018	★● A015010	★● A015010	★● A015010	★● A015010	★● A015010
15	Diaphragm, Pump	★● 0015050	★● 0015050	★● 0015050	★● 0015050	★● 0015050	★● 0015050	★● 0015050
16	Diaphragm, Surge	-----	-----	-----	-----	-----	-----	-----
17	Gasket, Metering Chamber	★● 0016018	★● 0016018	★● 0016019	★● 0016019	★● 0016019	★● 0016019	★● 0016019
18	Gasket, Pump	★● 0016033	★● 0016033	★● 0016033	★● 0016033	★● 0016033	★● 0016033	★● 0016033
19	Cover, Pump	▲ 0017092	▲ 0017092	▲ 0017025	▲ 0017025	▲ 0017025	0017026	0017025
20	Valve, Inlet Needle	★ 0018004	★ 0018004	★ 0018004	★ 0018004	★ 0018004	★ 0018004	★ 0018004
21	Spring, Metering Lever	★ 0019012	★ 0019012	★ 0019014	★ 0019014	★ 0019014	★ 0019014	★ 0019014
22	Lever, Metering	★ 0020012	★ 0020012	★ 0020012	★ 0020012	★ 0020012	★ 0020012	★ 0020012
23	Pin	★ 0021001	★ 0021001	★ 0021001	★ 0021001	★ 0021001	★ 0021001	★ 0021001
24	Cover, Metering Chamber	0028022	0028022	0028022	0028022	0028022	0028022	0028022
25	Spring, Adjust Screw	-----	-----	0029005	0029005	0029005	0029005	0029005
26	Spring, Adjust Screw	-----	-----	-----	-----	-----	0029003	0029007
27	Screw, Main Mixture	0030234	0030234	0030042	0030047	0030093	0030057	0030042
28	Screw, Idle Mixture	0031233	0031233	0031042	0031048	0031091	0031051	0031042
29	Screw, Throttle Adjust	▲ 0035035	▲ 0035035	▲ 0035007	▲ 0035007	▲ 0035031	0035018	0035020
30	Piece, Friction	▲ 0036001	▲ 0036001	▲ 0036001	▲ 0036001	▲ 0036001	-----	-----
31	Spring, Friction	0038001	0038001	0038001	0038001	0038001	0038001	0038001
32	Shaft Ass'y, Choke	A041127	A041127	A041018	A041026	A041026	A041028	A041018
33	Valve, Choke	0043057	0043057	0043010	0043007	0043007	0043019	0043010
34	Post	-----	-----	-----	-----	-----	0045011	-----
35	Collar	0052001	0052001	-----	-----	-----	-----	-----
36	Plunger	-----	-----	-----	0053005	0053005	-----	-----
37	Spring (Plunger Return)	-----	-----	-----	0054002	0054025	-----	-----
38	Base Ass'y, Primer	-----	-----	-----	-----	-----	-----	-----
39	Syringe	-----	-----	-----	-----	-----	-----	-----
40	Screw (Pin)	14803006	14803006	14803006	14803006	14803006	14803006	14803006
41	Screw (Throttle Valve)	15603004	15603004	15603004	15603004	15603004	15603004	15603004
42	Screw (Choke Valve)	156030045	156030045	156030045	156030045	156030045	156030045	156030045
43	Screw (Post)	-----	-----	-----	-----	-----	161029055	-----
44	Screw (Metering Cover)	17203006	17203006	17203006	17203006	17203006	17203006	17203006
45	Screw (Pump Cover)	17004010	17004010	17004010	17004010	17004010	17004010	17004010
46	Screw (Throttle Lever)	17103004	17103004	-----	-----	-----	-----	-----
47	Ball, Steel	19290030	19290030	19290030	19290030	19290030	19290030	19290030
48	E-Ring (Throttle Shaft)	19500030	19500030	19500040	19500030	19500030	19500030	19500040
49	E-Ring (Post)	-----	-----	-----	-----	-----	19500019	-----
50	O-Ring (Plunger)	-----	-----	-----	195503010	195503010	-----	-----
51	Screw, Retainer	-----	-----	-----	-----	-----	-----	-----
52	E-Ring (Choke Shaft)	-----	-----	-----	-----	-----	-----	-----
53	Limit, Mixture (H)	K061002	K061002	-----	0061003	0061025	0061001	-----
54	Limit, Mixture (L)	K061002	K061002	-----	0061004	0061026	-----	-----
55	Washer (Limit)	-----	-----	-----	-----	-----	0026014	-----
56	Retainer (Limit)	-----	-----	-----	-----	0009028	-----	-----
57	Spring, Choke	0013115	0013115	-----	-----	-----	-----	-----
58	Lever, Choke Control	0042162	0042162	-----	-----	-----	-----	-----
59	Lever, Choke	-----	-----	-----	-----	-----	-----	-----
60	Collar, Choke Shaft	-----	-----	-----	-----	-----	-----	-----
61	Screw, Choke Shaft	-----	-----	-----	-----	-----	-----	-----
62	Governor Ass'y	-----	-----	-----	-----	-----	-----	-----
63	Washer (Governor)	-----	-----	-----	-----	-----	-----	-----
64	Washer (Post)	-----	-----	-----	-----	-----	-----	-----
65	Remote Jet	-----	-----	-----	-----	-----	-----	-----
66	Boot, Retainer	-----	-----	-----	-----	-----	-----	-----
67	O-Ring (Metering Cover)	-----	-----	-----	-----	-----	-----	-----
68	Body, Kit Pump	-----	-----	-----	-----	-----	-----	-----
69	Spring, Pump	-----	-----	-----	-----	-----	-----	-----
70	Retainer Spring	-----	-----	-----	-----	-----	-----	-----
71	Diaphragm, Pump	-----	-----	-----	-----	-----	-----	-----
72	Gasket, Pump	-----	-----	-----	-----	-----	-----	-----
73	Plunger Ass'y, Starter	-----	-----	-----	-----	-----	-----	-----
74	Screw (Plunger Ass'y)	-----	-----	-----	-----	-----	-----	-----
75	Lever, Throttle	-----	-----	-----	-----	-----	-----	-----
76	Spring	-----	-----	-----	-----	-----	-----	-----

PARTS LIST

C1Q TYPE

REF	PART NAME	C1Q H32.A	C1Q H35	C1Q H42	C1Q H43	C1Q H44	C1Q H45	C1Q H64
	Venturi	14 mm	11 mm	11 mm	11 mm	14mm	14mm	9.5 mm
★	Rebuild Kit	RB-39	RB-54	RB-54	RB-54	RB-54	RB-54	RB-146
●	Gasket & Diaphragm Kit	GND-27	GND-27	GND-27	GND-27	GND-27	GND-27	GND-82
▲	Cover Kit, Pump	K017062	K017039	K017039	K017039	K017039	K017039	K017039
■	Base Kit, Primer	-----	-----	-----	-----	-----	-----	-----
	Oil Pump Kit	-----	-----	-----	-----	-----	-----	-----
1	Strainer	★ 0004009	★ 0004009	★ 0004009	★ 0004009	★ 0004009	★ 0004009	★ 0004011
2	Strainer	-----	-----	-----	-----	-----	-----	-----
3	Strainer	-----	-----	-----	-----	-----	-----	-----
4	Plug, Welch	★ 0005005	★ 0005010	★ 0005010	★ 0005010	★ 0005005	★ 0005005	★ 0005010
5	Plug, Welch	-----	-----	-----	-----	-----	-----	0005009
6	Valve, Check	0008011	-----	-----	-----	-----	-----	-----
7	Retainer, Check Valve	0009016	-----	-----	-----	-----	-----	-----
8	Retainer, Syringe	-----	-----	-----	-----	-----	-----	-----
9	Nozzle Ass'y, Check Valve	A007042	A007024	A007024	A007024	A007163	A007163	A007169
10	Shaft Ass'y, Throttle	A011098	A011098	A011139	A011098	A011098	A011098	A011245
11	Lever, Throttle	-----	-----	0012137	-----	-----	-----	0012259
12	Spring, Throttle Return	0013016	0013016	0013016	0013016	0013016	0013016	0013078
13	Valve, Throttle	0014004	0014004	0014004	0014004	0014004	0014004	0014037
14	Diaphragm Ass'y, Metering	★● A015010	★● A015010	★● A015010	★● A015010	★● A015010	★● A015010	★● A015047
15	Diaphragm, Pump	★● 0015050	★● 0015050	★● 0015050	★● 0015050	★● 0015050	★● 0015050	★● 0015050
16	Diaphragm, Surge	-----	-----	-----	-----	-----	-----	-----
17	Gasket, Metering Chamber	★● 0016019	★● 0016019	★● 0016019	★● 0016019	★● 0016019	★● 0016019	★● 0016019
18	Gasket, Pump	★● 0016033	★● 0016033	★● 0016033	★● 0016033	★● 0016033	★● 0016033	★● 0016033
19	Cover, Pump	▲ 0017025	▲ 0017025	▲ 0017025	▲ 0017025	▲ 0017025	▲ 0017025	▲ 0017025
20	Valve, Inlet Needle	★ 0018004	★ 0018004	★ 0018004	★ 0018004	★ 0018004	★ 0018004	★ 0018004
21	Spring, Metering Lever	★ 0019014	★ 0019014	★ 0019014	★ 0019014	★ 0019014	★ 0019014	★ 0019009
22	Lever, Metering	★ 0020012	★ 0020012	★ 0020012	★ 0020012	★ 0020012	★ 0020012	★ 0020012
23	Pin	★ 0021001	★ 0021001	★ 0021001	★ 0021001	★ 0021001	★ 0021001	★ 0021001
24	Cover, Metering Chamber	0028022	0028022	0028022	0028022	0028022	0028022	0028022
25	Spring, Adjust Screw	0029001	0029001	0029001	0029005	-----	-----	-----
26	Spring, Adjust Screw	▲ 0029007	-----	-----	-----	-----	-----	-----
27	Screw, Main Mixture	0030148	0030112	0030112	0030149	0030174	0030159	0030244
28	Screw, Idle Mixture	0031091	0031107	0031107	0031143	0031154	0031157	0031244
29	Screw, Throttle Adjust	▲ 0035033	▲ 0035033	▲ 0035033	▲ 0035033	▲ 0035033	▲ 0035033	▲ 0035033
30	Piece, Friction	-----	▲ 0036001	▲ 0036001	▲ 0036001	▲ 0036001	▲ 0036001	▲ 0036001
31	Spring, Friction	0038001	0038001	0038001	0038001	0038001	0038001	0038001
32	Shaft Ass'y, Choke	A041045	A041051	A041051	A041051	A041051	A041051	A041122
33	Valve, Choke	0043007	0043007	0043007	0043007	0043007	0043007	0043007
34	Post	-----	-----	-----	-----	-----	-----	-----
35	Collar	-----	-----	-----	-----	-----	-----	0052009
36	Plunger	-----	-----	-----	-----	-----	-----	K053034
37	Spring (Plunger Return)	-----	-----	-----	-----	-----	-----	0054055
38	Base Ass'y, Primer	-----	-----	-----	-----	-----	-----	-----
39	Syringe	-----	-----	-----	-----	-----	-----	-----
40	Screw (Pin)	14803006	14803006	14803006	14803006	14803006	14803006	14803006
41	Screw (Throttle Valve)	15603004	15603004	15603004	15603004	15603004	15603004	156030045
42	Screw (Choke Valve)	156030045	156030045	156030045	156030045	156030045	156030045	-----
43	Screw (Post)	-----	-----	-----	-----	-----	-----	-----
44	Screw (Metering Cover)	17203006	17203006	17203006	17203006	17203006	17203006	17203006
45	Screw (Pump Cover)	17004010	17004010	17004010	17004010	17004010	17004010	17004010
46	Screw (Throttle Lever)	-----	-----	17103004	-----	-----	-----	17103004
47	Ball, Steel	19290030	19290030	19290030	19290030	19290030	19290030	19290030
48	E-Ring (Throttle Shaft)	19500030	19500030	19500040	19500030	19500030	19500030	19500030
49	E-Ring (Post)	-----	-----	-----	-----	-----	-----	-----
50	O-Ring (Plunger)	-----	-----	-----	-----	-----	-----	-----
51	Screw, Retainer	-----	-----	-----	-----	-----	-----	-----
52	E-Ring (Choke Shaft)	-----	-----	-----	-----	-----	-----	-----
53	Limiter, Mixture (H)	0061025	0061025	0061025	-----	0061025	-----	-----
54	Limiter, Mixture (L)	0061026	0061026	0061026	-----	0061026	-----	-----
55	Washer (Limiter)	-----	0026014	0026014	-----	0026014	-----	-----
56	Retainer (Limiter)	-----	0009028	0009028	-----	0009028	-----	-----
57	Spring, Choke	-----	-----	-----	-----	-----	-----	0013114
58	Lever, Choke Control	-----	-----	-----	-----	-----	-----	-----
59	Lever, Choke	-----	-----	-----	-----	-----	-----	0042022
60	Collar, Choke Shaft	-----	-----	-----	-----	-----	-----	0052005
61	Screw, Choke Shaft	-----	-----	-----	-----	-----	-----	-----
62	Governor Ass'y	-----	-----	-----	-----	-----	-----	-----
63	Washer (Governor)	-----	-----	-----	-----	-----	-----	-----
64	Washer (Post)	-----	-----	-----	-----	-----	-----	-----
65	Remote Jet	-----	-----	-----	-----	-----	-----	-----
66	Boot, Retainer	-----	-----	-----	-----	0051027	-----	-----
67	O-Ring (Metering Cover)	-----	-----	-----	-----	-----	-----	-----
68	Body, Kit Pump	-----	-----	-----	-----	-----	-----	-----
69	Spring, Pump	-----	-----	-----	-----	-----	-----	-----
70	Retainer Spring	-----	-----	-----	-----	-----	-----	-----
71	Diaphragm, Pump	-----	-----	-----	-----	-----	-----	-----
72	Gasket, Pump	-----	-----	-----	-----	-----	-----	-----
73	Plunger Ass'y, Starter	-----	-----	-----	-----	-----	-----	-----
74	Screw (Plunger Ass'y)	-----	-----	-----	-----	-----	-----	-----
75	Lever, Throttle	-----	-----	-----	-----	-----	-----	-----
76	Spring	-----	-----	-----	-----	-----	-----	-----

PARTS LIST

C1Q TYPE

REF	PART NAME	C1Q K64A	C1Q K73.A	C1Q K79	C1Q M24	C1Q M25	C1Q M26	C1Q M27-C
	Venturi	13.5mm	13.5 mm	13.5 mm	10 mm	10 mm	12.5 mm	11 mm
★	Rebuild Kit	RB-56	RB-113	RB-56	RB-38	RB-38	RB-38	RB-39
●	Gasket & Diaphragm Kit	GND-57	GND-61	GND-57	GND-27	GND-27	GND-27	GND-35
▲	Cover Kit, Pump	K017096	K017076	K017096	K017014	K017014	K017014	K017014
■	Base Kit, Primer	-----	-----	-----	-----	-----	-----	-----
	Oil Pump Kit	-----	-----	-----	-----	-----	-----	-----
1	Strainer	★ 0004011	★ 0004011	★ 0004011	★ 0004009	★ 0004009	★ 0004009	★ 0004009
2	Strainer	-----	-----	-----	0004002	-----	0004002	-----
3	Strainer	-----	-----	-----	-----	-----	-----	-----
4	Plug, Welch	★ 0005010	★ 0005010	★ 0005010	★ 0005005	★ 0005005	★ 0005010	★ 0005005
5	Plug, Welch	0005009	-----	0005009	-----	-----	-----	-----
6	Valve, Check	-----	-----	-----	-----	-----	-----	0008004
7	Retainer, Check Valve	-----	-----	-----	-----	-----	-----	0009008
8	Retainer, Syringe	-----	0009065	-----	-----	-----	-----	-----
9	Nozzle Ass'y, Check Valve	A007170	A007186	A007170	A007032	A007033	A007037	A007064
10	Shaft Ass'y, Throttle	A011177	A011188	A011177	A011050	A011051	A011059	A011074
11	Lever, Throttle	0012175	0012182	0012175	0012055	0012055	0012055	-----
12	Spring, Throttle Return	0013078	0013078	0013078	0013016	0013016	0013016	0013016
13	Valve, Throttle	0014026	0014026	0014026	0014016	0014016	0014026	0014040
14	Diaphragm Ass'y, Metering	★● A015018	★● A015019	★● A015018	★● A015010	★● A015010	★● A015010	★● A015010
15	Diaphragm, Pump	★● 0015038	★● 0015050	★● 0015038	★● 0015050	★● 0015050	★● 0015050	★● 0015044
16	Diaphragm, Surge	-----	-----	-----	-----	-----	-----	-----
17	Gasket, Metering Chamber	★● 0016019	★● 0016078	★● 0016019	★● 0016019	★● 0016019	★● 0016019	★● 0016019
18	Gasket, Pump	★● 0016033	★● 0016033	★● 0016033	★● 0016033	★● 0016033	★● 0016033	★● 0016033
19	Cover, Pump	▲ A017042	▲	▲ A017042	▲ 0017025	▲ 0017025	▲ 0017025	▲ 0017025
20	Valve, Inlet Needle	★ 0018004	★ 0018004	★ 0018004	★ 0018004	★ 0018004	★ 0018004	★ 0018004
21	Spring, Metering Lever	★ 0019002	★ 0019012	★ 0019002	★ 0019002	★ 0019002	★ 0019002	★ 0019014
22	Lever, Metering	★ 0020012	★ 0020012	★ 0020012	★ 0020012	★ 0020012	★ 0020012	★ 0020012
23	Pin	★ 0021001	★ 0021001	★ 0021001	★ 0021001	★ 0021001	★ 0021001	★ 0021001
24	Cover, Metering Chamber	0028022	-----	0028015	0028022	0028022	0028022	0028022
25	Spring, Adjust Screw	-----	-----	-----	0029005	0029005	0029005	0029005
26	Spring, Adjust Screw	▲ 0029006	▲	▲ 0029006	-----	-----	-----	-----
27	Screw, Main Mixture	0030186	0030205	0030218	0030032	0030032	0030039	0030084
28	Screw, Idle Mixture	0031188	0031207	0031220	0031034	0031034	0031040	0031083
29	Screw, Throttle Adjust	▲ 0035033	▲	▲ 0035033	▲ 0035007	▲ 0035007	▲ 0035007	▲ 0035007
30	Piece, Friction	▲ 0036001	-----	▲ 0036001	▲ 0036001	▲ 0036001	▲ 0036001	▲ 0036001
31	Spring, Friction	-----	-----	-----	-----	-----	-----	0038001
32	Shaft Ass'y, Choke	A041095	-----	A041095	-----	-----	-----	0041042
33	Valve, Choke	0043027	-----	0043027	-----	-----	-----	0043025
34	Post	-----	-----	-----	-----	-----	-----	-----
35	Collar	-----	-----	-----	-----	-----	-----	-----
36	Plunger	-----	-----	-----	0053005	-----	0053005	-----
37	Spring (Plunger Return)	-----	-----	-----	0054025	-----	0054025	-----
38	Base Ass'y, Primer	-----	A056096	-----	-----	-----	-----	-----
39	Syringe	-----	0057004	-----	-----	-----	-----	-----
40	Screw (Pin)	14803006	14803006	14803006	14803006	14803006	14803006	14803006
41	Screw (Throttle Valve)	15603004	15603004	15603004	15603004	15603004	15603004	156030045
42	Screw (Choke Valve)	156030045	-----	156030045	-----	-----	-----	-----
43	Screw (Post)	-----	-----	-----	-----	-----	-----	-----
44	Screw (Metering Cover)	17203006	-----	17203006	17203006	17203006	17203006	17203006
45	Screw (Pump Cover)	17004010	17004010	17004010	17004010	17004010	17004010	17004010
46	Screw (Throttle Lever)	17103004	17103004	17103004	17103004	17103004	17103004	-----
47	Ball, Steel	-----	-----	-----	-----	-----	-----	19290030
48	E-Ring (Throttle Shaft)	19500040	19500040	19500040	19500040	19500040	19500040	19500030
49	E-Ring (Post)	-----	-----	-----	-----	-----	-----	-----
50	O-Ring (Plunger)	-----	-----	-----	195503010	-----	195503010	-----
51	Screw, Retainer	-----	17103012	-----	-----	-----	-----	-----
52	E-Ring (Choke Shaft)	19500030	-----	19500030	-----	-----	-----	-----
53	Limiter, Mixture (H)	0061055	-----	K061001	-----	-----	-----	0061009
54	Limiter, Mixture (L)	-----	-----	K061001	-----	-----	-----	0061010
55	Washer (Limiter)	-----	-----	-----	-----	-----	-----	0026006
56	Retainer (Limiter)	-----	-----	-----	-----	-----	-----	-----
57	Spring, Choke	0013079	-----	0013079	-----	-----	-----	-----
58	Lever, Choke Control	0042116	-----	0042116	-----	-----	-----	-----
59	Lever, Choke	-----	-----	-----	-----	-----	-----	-----
60	Collar, Choke Shaft	-----	-----	-----	-----	-----	-----	-----
61	Screw, Choke Shaft	-----	-----	-----	-----	-----	-----	-----
62	Governor Ass'y	-----	-----	-----	-----	-----	-----	-----
63	Washer (Governor)	-----	-----	-----	-----	-----	-----	-----
64	Washer (Post)	-----	-----	-----	-----	-----	-----	-----
65	Remote Jet	0070066	-----	-----	-----	-----	-----	-----
66	Boot, Retainer	-----	-----	-----	-----	-----	-----	-----
67	O-Ring (Metering Cover)	-----	-----	-----	-----	-----	-----	-----
68	Body, Kit Pump	-----	-----	-----	-----	-----	-----	-----
69	Spring, Pump	-----	-----	-----	-----	-----	-----	-----
70	Retainer Spring	-----	-----	-----	-----	-----	-----	-----
71	Diaphragm, Pump	-----	-----	-----	-----	-----	-----	-----
72	Gasket, Pump	-----	-----	-----	-----	-----	-----	-----
73	Plunger Ass'y, Starter	-----	-----	-----	-----	-----	-----	-----
74	Screw (Plunger Ass'y)	-----	-----	-----	-----	-----	-----	-----
75	Lever, Throttle	-----	-----	-----	-----	-----	-----	-----
76	Spring	-----	-----	-----	-----	-----	-----	-----

PARTS LIST

C1Q TYPE

REF	PART NAME	C1Q M27D	C1Q M28-C	C1Q M28D	C1Q M31	C1Q M33.A-B	C1Q M33C-D	C1Q M36.A
	Venturi	11 mm	11 mm	11 mm	10 mm	12.5 mm	12.5 mm	12.5mm
★	Rebuild Kit	RB-39	RB-39	RB-39	RB-51	RB-39	RB-39	RB-39
●	Gasket & Diaphragm Kit	GND-35	GND-35	GND-35	GND-39	GND-35	GND-35	GND-35
▲	Cover Kit, Pump	K017041	K017014	K017041	K017024	K017014	K017041	K017041
■	Base Kit, Primer	-----	-----	-----	-----	-----	-----	-----
	Oil Pump Kit	-----	-----	-----	-----	-----	-----	-----
1	Strainer	★ 0004009	★ 0004009	★ 0004009	★ 0004009	★ 0004009	★ 0004009	★ 0004009
2	Strainer	-----	-----	-----	-----	-----	-----	-----
3	Strainer	-----	-----	-----	-----	-----	-----	-----
4	Plug, Welch	★ 0005005	★ 0005005	★ 0005005	★ 0005005	★ 0005005	★ 0005005	★ 0005005
5	Plug, Welch	-----	-----	-----	-----	-----	-----	-----
6	Valve, Check	0008012	0008004	0008004	-----	0008004	0008012	-----
7	Retainer, Check Valve	0009016	0009008	0009008	-----	0009008	0009016	-----
8	Retainer, Syringe	-----	-----	-----	0009027	-----	-----	-----
9	Nozzle Ass'y, Check Valve	A007064	A007042	A007042	A007055	A007041	A007042	A007042
10	Shaft Ass'y, Throttle	A011074	A011082	A011082	A011081	A011082	A011082	A011145
11	Lever, Throttle	-----	0012042	0012042	-----	0012042	0012042	0012042
12	Spring, Throttle Return	0013016	0013016	0013016	0013016	0013016	0013016	0013016
13	Valve, Throttle	0014040	0014040	0014040	0014037	0014040	0014040	0014040
14	Diaphragm Ass'y, Metering	★● A015010	★● A015010	★● A015010	★● A015011	★● A015010	★● A015010	★● A015010
15	Diaphragm, Pump	★● 0015050	★● 0015044	★● 0015050	★● 0015050	★● 0015044	★● 0015050	★● 0015050
16	Diaphragm, Surge	-----	-----	-----	-----	-----	-----	-----
17	Gasket, Metering Chamber	★● 0016019	★● 0016019	★● 0016019	★● 0016021	★● 0016019	★● 0016019	★● 0016019
18	Gasket, Pump	★● 0016033	★● 0016033	★● 0016033	★● 0016033	★● 0016033	★● 0016033	★● 0016033
19	Cover, Pump	▲ 0017025	▲ 0017025	▲ 0017025	▲ 0017025	▲ 0017025	▲ 0017025	▲ 0017025
20	Valve, Inlet Needle	★ 0018004	★ 0018004	★ 0018004	★ 0018004	★ 0018004	★ 0018004	★ 0018004
21	Spring, Metering Lever	★ 0019014	★ 0019014	★ 0019014	★ 0019002	★ 0019014	★ 0019014	★ 0019014
22	Lever, Metering	★ 0020012	★ 0020012	★ 0020012	★ 0020012	★ 0020012	★ 0020012	★ 0020012
23	Pin	★ 0021001	★ 0021001	★ 0021001	★ 0021001	★ 0021001	★ 0021001	★ 0021001
24	Cover, Metering Chamber	0028022	0028022	0028022	-----	0028022	0028022	0028022
25	Spring, Adjust Screw	0029001	0029005	0029001	0029005	0029005	0029001	0029001
26	Spring, Adjust Screw	-----	-----	-----	-----	-----	-----	-----
27	Screw, Main Mixture	0030108	0030085	0030109	0030032	0030032	0030109	0030155
28	Screw, Idle Mixture	0031091	0031083	0031091	0031034	0031060	0031091	0031151
29	Screw, Throttle Adjust	▲ 0035035	▲ 0035007	▲ 0035035	▲ 0035011	▲ 0035007	▲ 0035035	▲ 0035035
30	Piece, Friction	▲ 0036001	▲ 0036001	▲ 0036001	▲ 0036001	▲ 0036001	▲ 0036001	▲ 0036001
31	Spring, Friction	0038001	0038001	0038001	0038001	0038001	0038001	0038001
32	Shaft Ass'y, Choke	0041042	0041081	0041081	0041035	0041081	0041081	0041081
33	Valve, Choke	0043025	0043025	0043025	0043010	0043026	0043026	0043026
34	Post	-----	-----	-----	0045002	-----	-----	-----
35	Collar	-----	0052004	0052004	-----	0052004	0052004	0052004
36	Plunger	-----	-----	-----	-----	-----	-----	-----
37	Spring (Plunger Return)	-----	-----	-----	-----	-----	-----	-----
38	Base Ass'y, Primer	-----	-----	-----	A056011	-----	-----	-----
39	Syringe	-----	-----	-----	0057003	-----	-----	-----
40	Screw (Pin)	14803006	14803006	14803006	14803006	14803006	14803006	14803006
41	Screw (Throttle Valve)	156030045	156030045	156030045	156030045	156030045	156030045	156030045
42	Screw (Choke Valve)	-----	-----	-----	156030045	-----	-----	-----
43	Screw (Post)	-----	-----	-----	-----	-----	-----	-----
44	Screw (Metering Cover)	17203006	17203006	17203006	17103008	17203006	17203006	17203006
45	Screw (Pump Cover)	17004010	17004010	17004010	17004010	17004010	17004010	17004010
46	Screw (Throttle Lever)	-----	17103004	17103004	-----	17103004	17103004	17103004
47	Ball, Steel	19290030	19290030	19290030	19290030	19290030	19290030	19290030
48	E-Ring (Throttle Shaft)	19500030	19500030	-----	19500030	-----	-----	-----
49	E-Ring (Post)	-----	-----	-----	19500040	-----	-----	-----
50	O-Ring (Plunger)	-----	-----	-----	-----	-----	-----	-----
51	Screw, Retainer	-----	-----	-----	17203012	-----	-----	-----
52	E-Ring (Choke Shaft)	-----	-----	-----	-----	-----	-----	-----
53	Limiters, Mixture (H)	0061025	0061009	0061025	-----	-----	0061025	0061025
54	Limiters, Mixture (L)	0061026	0061010	0061026	-----	-----	0061026	0061026
55	Washer (Limiters)	0026014	0026006	0026014	-----	-----	0026014	0026014
56	Retainer (Limiters)	0009028	-----	0009028	-----	-----	0009028	-----
57	Spring, Choke	-----	-----	-----	-----	-----	-----	-----
58	Lever, Choke Control	-----	-----	-----	-----	-----	-----	-----
59	Lever, Choke	-----	-----	-----	-----	-----	-----	-----
60	Collar, Choke Shaft	-----	-----	-----	-----	-----	-----	-----
61	Screw, Choke Shaft	-----	-----	-----	-----	-----	-----	-----
62	Governor Ass'y	-----	-----	-----	-----	-----	-----	-----
63	Washer (Governor)	-----	-----	-----	-----	-----	-----	-----
64	Washer (Post)	-----	-----	-----	-----	-----	-----	-----
65	Remote Jet	-----	-----	-----	-----	-----	-----	-----
66	Boot, Retainer	-----	-----	-----	-----	-----	-----	-----
67	O-Ring (Metering Cover)	-----	-----	-----	-----	-----	-----	-----
68	Body, Kit Pump	-----	-----	-----	-----	-----	-----	-----
69	Spring, Pump	-----	-----	-----	-----	-----	-----	-----
70	Retainer Spring	-----	-----	-----	-----	-----	-----	-----
71	Diaphragm, Pump	-----	-----	-----	-----	-----	-----	-----
72	Gasket, Pump	-----	-----	-----	-----	-----	-----	-----
73	Plunger Ass'y, Starter	-----	-----	-----	-----	-----	-----	-----
74	Screw (Plunger Ass'y)	-----	-----	-----	-----	-----	-----	-----
75	Lever, Throttle	-----	-----	-----	-----	-----	-----	-----
76	Spring	-----	-----	-----	-----	-----	-----	-----

PARTS LIST

C1Q TYPE

REF	PART NAME	C1Q M39	C1Q M41	C1Q M43	C1Q M44	C1Q P8	C1Q P18.A	C1Q P22
	Venturi	13.5mm	10 mm	13.5 mm	13.5 mm	6.5mm	8 mm	8 mm
★	Rebuild Kit	RB-38	RB-51	RB-45	RB-110	RB-75	RB-52	RB-52
●	Gasket & Diaphragm Kit	★ GND-27	★ GND-39	★ GND-33	★ GND-33	★ GND-47	★ GND-18	★ GND-18
▲	Cover Kit, Pump	K017041	K017041	K017082	K017082	K017039	K017073	K017073
■	Base Kit, Primer	-----	-----	-----	-----	-----	-----	-----
	Oil Pump Kit	-----	-----	-----	-----	-----	-----	-----
1	Strainer	★ 0004009	★ 0004009	★ 0004009	★ 0004009	★ 0004009	★ 0004004	★ 0004004
2	Strainer	-----	-----	-----	-----	0004002	-----	-----
3	Strainer	-----	-----	-----	-----	-----	-----	-----
4	Plug, Welch	★ 0005010	★ 0005005	★ 0005010	★ 0005004	★ 0005004	★ 0005004	★ 0005004
5	Plug, Welch	-----	-----	-----	-----	-----	-----	-----
6	Valve, Check	-----	-----	-----	-----	-----	-----	-----
7	Retainer, Check Valve	-----	-----	-----	-----	-----	-----	-----
8	Retainer, Syringe	-----	0009065	-----	-----	-----	-----	-----
9	Nozzle Ass'y, Check Valve	A007028	A007211	A007213	A007233	A007117	A007175	A007175
10	Shaft Ass'y, Throttle	A011166	A011081	A011060	A011060	A011097	A011180	A011180
11	Lever, Throttle	0012151	-----	0012064	0012064	0012096	-----	-----
12	Spring, Throttle Return	0013016	0013016	0013042	0013042	0013016	0013081	0013081
13	Valve, Throttle	0014032	0014037	0014029	0014029	0014049	0014080	0014108
14	Diaphragm Ass'y, Metering	★● A015010	★● A015050	★● A015010	★● A015010	★● A015010	★● A015010	★● A015010
15	Diaphragm, Pump	★● 0015050	★● 0015050	★● 0015057	★● 0015057	★● 0015050	★● 0015092	★● 0015092
16	Diaphragm, Surge	-----	-----	-----	-----	★● 0015080	-----	-----
17	Gasket, Metering Chamber	★● 0016019	★● 0016021	★● 0016019	★● 0016019	★● 0016019	★● 0016019	★● 0016019
18	Gasket, Pump	★● 0016033	★● 0016033	★● 0016034	★● 0016034	★● 0016047	★● 0016087	★● 0016087
19	Cover, Pump	▲ 0017025	▲ 0017025	▲ 0017029	▲ 0017029	▲ 0017025	▲ 0017081	▲ 0017081
20	Valve, Inlet Needle	★ 0018004	★ 0018004	★ 0018004	★ 0018004	★ 0018004	★ 0018004	★ 0018004
21	Spring, Metering Lever	★ 0019002	★ 0019002	★ 0019002	★ 0019002	★ 0019005	★ 0019005	★ 0019005
22	Lever, Metering	★ 0020012	★ 0020012	★ 0020012	★ 0020012	★ 0020012	★ 0020012	★ 0020012
23	Pin	★ 0021001	★ 0021001	★ 0021001	★ 0021001	★ 0021001	★ 0021001	★ 0021001
24	Cover, Metering Chamber	0028022	-----	0028022	0028022	0028022	0028022	0028022
25	Spring, Adjust Screw	-----	-----	▲ 0029007	▲ 0029007	-----	-----	-----
26	Spring, Adjust Screw	-----	-----	-----	-----	-----	-----	-----
27	Screw, Main Mixture	0030144	0030221	0030209	0030209	0030154	0030190	0030202
28	Screw, Idle Mixture	0031178	0031224	0031212	0031236	0031152	0031165	0031154
29	Screw, Throttle Adjust	▲ 0035035	▲ 0035035	▲ 0035033	▲ 0035033	▲ 0035033	▲ 0035033	▲ 0035033
30	Piece, Friction	▲ 0036001	▲ 0036001	▲ 0036001	▲ 0036001	▲ 0036001	▲ 0036001	▲ 0036001
31	Spring, Friction	-----	0038001	-----	-----	-----	-----	-----
32	Shaft Ass'y, Choke	A041083	0041035	A041047	A041047	A041044	-----	-----
33	Valve, Choke	0043010	0043010	0043019	0043019	0043015	-----	-----
34	Post	-----	0045044	-----	-----	-----	-----	-----
35	Collar	-----	-----	0052004	0052004	0052008	-----	-----
36	Plunger	-----	-----	-----	-----	0053008	-----	-----
37	Spring (Plunger Return)	-----	-----	-----	-----	0054025	-----	-----
38	Base Ass'y, Primer	-----	A056107	-----	-----	-----	-----	-----
39	Syringe	-----	0057004	-----	-----	-----	-----	-----
40	Screw (Pin)	14803006	14803006	14803006	14803006	14803006	14803006	14803006
41	Screw (Throttle Valve)	15603004	156030045	15603004	15603004	-----	156030045	156030045
42	Screw (Choke Valve)	156030045	156030045	156030045	156030045	156030045	-----	-----
43	Screw (Post)	-----	-----	-----	-----	-----	-----	-----
44	Screw (Metering Cover)	17203006	-----	17203006	17203006	17203006	17203006	17203006
45	Screw (Pump Cover)	17004010	17004010	17004010	17004010	17004010	16104010	16104010
46	Screw (Throttle Lever)	17103004	-----	17103004	17103004	17103004	-----	-----
47	Ball, Steel	19290030	19290030	-----	-----	19290030	-----	-----
48	E-Ring (Throttle Shaft)	19500040	19500030	-----	-----	-----	19500030	19500030
49	E-Ring (Post)	-----	19500040	-----	-----	-----	-----	-----
50	O-Ring (Plunger)	-----	-----	-----	-----	195503510	-----	-----
51	Screw, Retainer	-----	17203012	-----	-----	-----	-----	-----
52	E-Ring (Choke Shaft)	-----	-----	-----	-----	-----	-----	-----
53	Limiter, Mixture (H)	-----	-----	-----	-----	0061025	0061056	0061056
54	Limiter, Mixture (L)	-----	-----	-----	-----	0061026	0061026	0061026
55	Washer (Limiter)	-----	-----	-----	-----	0026014	0026014	0026014
56	Retainer (Limiter)	-----	-----	-----	-----	0009028	0009028	0009028
57	Spring, Choke	-----	-----	0013071	0013071	0038001	-----	-----
58	Lever, Choke Control	-----	-----	-----	-----	-----	-----	-----
59	Lever, Choke	-----	-----	0042022	0042022	-----	-----	-----
60	Collar, Choke Shaft	-----	-----	-----	-----	-----	-----	-----
61	Screw, Choke Shaft	-----	-----	16403006	16403006	-----	-----	-----
62	Governor Ass'y	-----	-----	-----	-----	-----	-----	-----
63	Washer (Governor)	-----	-----	-----	-----	-----	-----	-----
64	Washer (Post)	-----	-----	-----	-----	-----	-----	-----
65	Remote Jet	-----	-----	-----	-----	-----	-----	-----
66	Boot, Retainer	-----	-----	-----	-----	0051027	0051027	0051027
67	O-Ring (Metering Cover)	-----	-----	-----	-----	-----	-----	-----
68	Body, Kit Pump	-----	-----	-----	-----	-----	-----	-----
69	Spring, Pump	-----	-----	-----	-----	-----	-----	-----
70	Retainer Spring	-----	-----	-----	-----	-----	-----	-----
71	Diaphragm, Pump	-----	-----	-----	-----	-----	-----	-----
72	Gasket, Pump	-----	-----	-----	-----	-----	-----	-----
73	Plunger Ass'y, Starter	-----	-----	-----	-----	-----	A053022	A053022
74	Screw (Plunger Ass'y)	-----	-----	-----	-----	-----	16103005	16103005
75	Lever, Throttle	-----	-----	-----	-----	-----	-----	-----
76	Spring	-----	-----	-----	-----	-----	-----	-----

PARTS LIST

C1Q TYPE

REF	PART NAME	C1Q P22A-C	C1Q P24	C1Q P26A-C	C1Q S11C-E	C1Q S11G	C1Q S16A	C1Q S28.A-D
	Venturi	8 mm	8 mm	8 mm	12.5 mm	12.5 mm	12.5 mm	10 mm
★	Rebuild Kit	RB-52	RB-52	RB-52	RB-41	RB-50	RB-41	RB-66
●	Gasket & Diaphragm Kit	GND-18	GND-18	GND-18	GND-35	GND-35	GND-35	GND-28
▲	Cover Kit, Pump	K017073	K017073	K017073	K017016	K017016	K017016	K017016
■	Base Kit, Primer	-----	-----	-----	-----	-----	-----	-----
	Oil Pump Kit	-----	-----	-----	-----	-----	-----	-----
1	Strainer	★ 0004004	★ 0004004	★ 0004004	★ 0004011	★ 0004011	★ 0004011	★ 0004011
2	Strainer	-----	-----	-----	-----	-----	-----	-----
3	Strainer	-----	-----	-----	-----	-----	-----	-----
4	Plug, Welch	★ 0005004	★ 0005004	★ 0005004	★ 0005010	★ 0005010	★ 0005010	★ 0005004
5	Plug, Welch	-----	-----	-----	-----	-----	-----	-----
6	Valve, Check	-----	-----	-----	-----	-----	-----	-----
7	Retainer, Check Valve	-----	-----	-----	-----	-----	-----	-----
8	Retainer, Syringe	-----	-----	-----	-----	-----	-----	0009010
9	Nozzle Ass'y, Check Valve	A007175	A007175	A007175	A007043	A007043	A007051	A007151
10	Shaft Ass'y, Throttle	A011180	A011180	A011180	A011052	A011052	A011080	A011081
11	Lever, Throttle	-----	-----	-----	-----	-----	-----	-----
12	Spring, Throttle Return	0013081	0013081	0013081	0013016	0013016	0013016	0013016
13	Valve, Throttle	0014108	0014080	0014108	0014032	0014032	0014032	0014054
14	Diaphragm Ass'y, Metering	★● A015010	★● A015010	★● A015010	★● A015010	★● A015010	★● A015010	★● A015011
15	Diaphragm, Pump	★● 0015092	★● 0015092	★● 0015092	★● 0015050	★● 0015050	★● 0015050	★● 0015050
16	Diaphragm, Surge	-----	-----	-----	-----	-----	-----	-----
17	Gasket, Metering Chamber	★● 0016019	★● 0016019	★● 0016019	★● 0016019	★● 0016019	★● 0016019	★● 0016035
18	Gasket, Pump	★● 0016087	★● 0016087	★● 0016087	★● 0016033	★● 0016033	★● 0016033	★● 0016033
19	Cover, Pump	▲ 0017081	▲ 0017081	▲ 0017081	▲ 0017032	▲ 0017032	▲ 0017032	▲ 0017032
20	Valve, Inlet Needle	★ 0018004	★ 0018004	★ 0018004	★ 0018004	★ 0018004	★ 0018004	★ 0018004
21	Spring, Metering Lever	★ 0019005	★ 0019005	★ 0019005	★ 0019012	★ 0019009	★ 0019012	★ 0019009
22	Lever, Metering	★ 0020012	★ 0020012	★ 0020012	★ 0020012	★ 0020012	★ 0020012	★ 0020012
23	Pin	★ 0021001	★ 0021001	★ 0021001	★ 0021001	★ 0021001	★ 0021001	★ 0021001
24	Cover, Metering Chamber	0028022	0028022	0028022	0028015	0028015	0028015	-----
25	Spring, Adjust Screw	-----	-----	-----	0029005	0029005	0029005	0029005
26	Spring, Adjust Screw	-----	-----	-----	-----	-----	-----	-----
27	Screw, Main Mixture	0030241	0030190	0030241	0030032	0030032	0030041	-----
28	Screw, Idle Mixture	0031241	0031165	0031241	0031049	0031049	0031034	K031088
29	Screw, Throttle Adjust	▲ 0035033	▲ 0035033	▲ 0035033	▲ 0035011	▲ 0035011	▲ 0035011	▲ 0035011
30	Piece, Friction	▲ 0036001	▲ 0036001	▲ 0036001	▲ 0036001	▲ 0036001	▲ 0036001	▲ 0036001
31	Spring, Friction	-----	-----	-----	-----	-----	-----	-----
32	Shaft Ass'y, Choke	-----	-----	-----	A041016	A041016	A041032	-----
33	Valve, Choke	-----	-----	-----	0043018	0043018	0043027	-----
34	Post	-----	-----	-----	-----	-----	-----	0045036
35	Collar	-----	-----	-----	-----	-----	-----	-----
36	Plunger	-----	-----	-----	-----	-----	-----	-----
37	Spring (Plunger Return)	-----	-----	-----	-----	-----	-----	-----
38	Base Ass'y, Primer	-----	-----	-----	-----	-----	-----	A056070
39	Syringe	-----	-----	-----	-----	-----	-----	0057004
40	Screw (Pin)	14803006	14803006	14803006	14803006	14803006	14803006	14803006
41	Screw (Throttle Valve)	156030045	156030045	156030045	15603004	15603004	15603004	156030045
42	Screw (Choke Valve)	-----	-----	-----	156030045	156030045	156030045	-----
43	Screw (Post)	-----	-----	-----	-----	-----	-----	-----
44	Screw (Metering Cover)	17203006	17203006	17203006	17203006	17203006	17203006	17103008
45	Screw (Pump Cover)	16104010	16104010	16104010	17004010	17004010	17004010	17004010
46	Screw (Throttle Lever)	-----	-----	-----	-----	-----	-----	-----
47	Ball, Steel	-----	-----	-----	-----	-----	-----	-----
48	E-Ring (Throttle Shaft)	19500030	19500030	19500030	19500030	19500030	19500030	19500030
49	E-Ring (Post)	-----	-----	-----	-----	-----	-----	19500040
50	O-Ring (Plunger)	-----	-----	-----	-----	-----	-----	-----
51	Screw, Retainer	-----	-----	-----	-----	-----	-----	17203012
52	E-Ring (Choke Shaft)	-----	-----	-----	19500025	19500025	19500025	-----
53	Limiters, Mixture (H)	-----	0061056	-----	-----	-----	-----	-----
54	Limiters, Mixture (L)	-----	0061026	-----	-----	-----	-----	-----
55	Washer (Limiters)	-----	0026014	-----	-----	-----	-----	-----
56	Retainer (Limiters)	-----	0009028	-----	-----	-----	-----	-----
57	Spring, Choke	-----	-----	-----	-----	-----	0013083	-----
58	Lever, Choke Control	-----	-----	-----	-----	-----	-----	-----
59	Lever, Choke	-----	-----	-----	-----	-----	-----	-----
60	Collar, Choke Shaft	-----	-----	-----	-----	-----	-----	-----
61	Screw, Choke Shaft	-----	-----	-----	-----	-----	-----	-----
62	Governor Ass'y	-----	-----	-----	-----	-----	-----	A059011
63	Washer (Governor)	-----	-----	-----	-----	-----	-----	0026011
64	Washer (Post)	-----	-----	-----	-----	-----	-----	0026013
65	Remote Jet	-----	-----	-----	-----	-----	-----	-----
66	Boot, Retainer	-----	0051027	-----	-----	-----	-----	-----
67	O-Ring (Metering Cover)	-----	-----	-----	-----	-----	-----	-----
68	Body, Kit Pump	-----	-----	-----	-----	-----	-----	-----
69	Spring, Pump	-----	-----	-----	-----	-----	-----	-----
70	Retainer Spring	-----	-----	-----	-----	-----	-----	-----
71	Diaphragm, Pump	-----	-----	-----	-----	-----	-----	-----
72	Gasket, Pump	-----	-----	-----	-----	-----	-----	-----
73	Plunger Ass'y, Starter	A053022	A053022	A053022	-----	-----	-----	-----
74	Screw (Plunger Ass'y)	16103005	16103005	16103005	-----	-----	-----	-----
75	Lever, Throttle	-----	-----	-----	-----	-----	-----	-----
76	Spring	-----	-----	-----	-----	-----	-----	-----

PARTS LIST

C1Q TYPE

REF	PART NAME	C1Q S29A-C	C1Q S30A-C	C1Q S32	C1Q S33A-B	C1Q S34A-H	C1Q S35A-B	C1Q S36A-G
	Venturi	10 mm	8 mm	12.5 mm	13.5 mm	13.5 mm	12.5 mm	12.5 mm
★	Rebuild Kit	RB-66	RB-66	RB-69	RB-40	RB-40	RB-40	RB-40
●	Gasket & Diaphragm Kit	★ GND-28	★ GND-28	★ GND-39	★ GND-28	★ GND-28	★ GND-28	★ GND-28
▲	Cover Kit, Pump	K017016	K017016	K017016	K017016	-----	-----	-----
■	Base Kit, Primer	-----	-----	-----	-----	-----	-----	-----
	Oil Pump Kit	-----	-----	-----	-----	-----	-----	-----
1	Strainer	★ 0004011	★ 0004011	★ 0004011	★ 0004011	★ 0004011	★ 0004011	★ 0004011
2	Strainer	-----	-----	-----	-----	-----	-----	-----
3	Strainer	-----	-----	-----	-----	-----	-----	-----
4	Plug, Welch	★ 0005004	★ 0005004	★ 0005010	★ 0005010	★ 0005006	★ 0005005	★ 0005006
5	Plug, Welch	-----	-----	-----	-----	★ 0005007	-----	★ 0005007
6	Valve, Check	-----	-----	-----	-----	-----	-----	-----
7	Retainer, Check Valve	-----	-----	-----	-----	-----	-----	-----
8	Retainer, Syringe	0009010	0009010	-----	-----	-----	-----	-----
9	Nozzle Ass'y, Check Valve	A007146	A007144	A007051	A007028	A007157	A007048	A007155
10	Shaft Ass'y, Throttle	A011081	A011101	A011080	A011134	A011160	A011135	A011135
11	Lever, Throttle	-----	0012095	-----	0012045	0012103	0012103	0012103
12	Spring, Throttle Return	0013016	0013016	0013016	0013016	0013016	0013016	0013016
13	Valve, Throttle	0014016	0014054	0014032	0014029	0014032	0014077	0014032
14	Diaphragm Ass'y, Metering	★● A015011	★● A015011	★● A015011	★● A015011	★● A015011	★● A015011	★● A015011
15	Diaphragm, Pump	★● 0015050	★● 0015050	★● 0015050	★● 0015050	★● 0015050	★● 0015050	★● 0015050
16	Diaphragm, Surge	-----	-----	-----	-----	-----	-----	-----
17	Gasket, Metering Chamber	★● 0016035	★● 0016035	★● 0016021	★● 0016035	★● 0016035	★● 0016035	★● 0016035
18	Gasket, Pump	★● 0016033	★● 0016033	★● 0016033	★● 0016033	★● 0016033	★● 0016033	★● 0016033
19	Cover, Pump	▲ 0017032	▲ 0017032	▲ 0017032	▲ 0017032	0017074	0017074	0017074
20	Valve, Inlet Needle	★ 0018004	★ 0018004	★ 0018004	★ 0018004	★ 0018004	★ 0018004	★ 0018004
21	Spring, Metering Lever	★ 0019009	★ 0019009	★ 0019012	★ 0019002	★ 0019002	★ 0019002	★ 0019002
22	Lever, Metering	★ 0020012	★ 0020012	★ 0020012	★ 0020012	★ 0020012	★ 0020012	★ 0020012
23	Pin	★ 0021001	★ 0021001	★ 0021001	★ 0021001	★ 0021001	★ 0021001	★ 0021001
24	Cover, Metering Chamber	-----	-----	0028026	A028024	A028024	A028024	A028024
25	Spring, Adjust Screw	0029005	0029005	0029005	0029005	-----	0029005	-----
26	Spring, Adjust Screw	-----	-----	-----	-----	-----	-----	-----
27	Screw, Main Mixture	-----	-----	K030138	K030141	-----	K030141	-----
28	Screw, Idle Mixture	K031103	K031098	K031132	K031148	0035060	K031137	-----
29	Screw, Throttle Adjust	▲ 0035011	▲ 0035011	▲ 0035011	▲ 0035011	-----	0035060	0035060
30	Piece, Friction	▲ 0036001	▲ 0036001	▲ 0036001	▲ 0036001	-----	-----	-----
31	Spring, Friction	-----	-----	-----	-----	0038001	0038001	0038001
32	Shaft Ass'y, Choke	-----	-----	A041049	0041076	0041087	0041076	0041087
33	Valve, Choke	-----	-----	0043027	0043049	0043049	0043049	0043049
34	Post	0045004	-----	-----	0045036	0045037	0045036	0045037
35	Collar	-----	-----	-----	-----	-----	0052009	0052009
36	Plunger	-----	-----	-----	-----	-----	-----	-----
37	Spring (Plunger Return)	-----	-----	-----	-----	-----	-----	-----
38	Base Ass'y, Primer	A056070	A056069	-----	-----	-----	-----	-----
39	Syringe	0057004	0057004	-----	-----	-----	-----	-----
40	Screw (Pin)	14803006	14803006	14803006	14803006	14803006	14803006	14803006
41	Screw (Throttle Valve)	15603004	156030045	15603004	15603004	15603004	156030045	15603004
42	Screw (Choke Valve)	-----	-----	156030045	156030045	156030045	156030045	156030045
43	Screw (Post)	-----	-----	-----	17103007	-----	-----	-----
44	Screw (Metering Cover)	17103008	17103008	17103007	17004010	17103007	17103007	17103007
45	Screw (Pump Cover)	17004010	17004010	17004010	-----	17004010	17004010	17004010
46	Screw (Throttle Lever)	-----	17103004	-----	17103004	17103004	17103004	17103004
47	Ball, Steel	-----	-----	-----	19290030	19290030	19290030	19290030
48	E-Ring (Throttle Shaft)	19500030	19500040	19500030	19500030	19500040	19500040	-----
49	E-Ring (Post)	19500040	-----	-----	19500040	19500040	19500040	19500040
50	O-Ring (Plunger)	-----	-----	-----	-----	-----	-----	-----
51	Screw, Retainer	17203012	17203012	-----	-----	-----	-----	-----
52	E-Ring (Choke Shaft)	-----	-----	19500025	-----	-----	-----	-----
53	Limiters, Mixture (H)	-----	-----	-----	-----	-----	-----	-----
54	Limiters, Mixture (L)	-----	-----	-----	-----	-----	-----	-----
55	Washer (Limiters)	-----	-----	-----	-----	-----	-----	-----
56	Retainer (Limiters)	-----	-----	-----	-----	-----	-----	-----
57	Spring, Choke	-----	-----	0013083	-----	-----	-----	-----
58	Lever, Choke Control	-----	-----	-----	-----	-----	-----	-----
59	Lever, Choke	-----	-----	-----	-----	-----	-----	-----
60	Collar, Choke Shaft	-----	-----	-----	-----	-----	-----	-----
61	Screw, Choke Shaft	-----	-----	-----	-----	-----	-----	-----
62	Governor Ass'y	A059007	-----	-----	-----	-----	-----	-----
63	Washer (Governor)	0026011	-----	-----	-----	-----	-----	-----
64	Washer (Post)	-----	-----	-----	-----	0026013	-----	0026013
65	Remote Jet	-----	-----	-----	-----	-----	-----	-----
66	Boot, Retainer	-----	-----	-----	-----	-----	-----	-----
67	O-Ring (Metering Cover)	-----	-----	-----	-----	-----	-----	-----
68	Body, Kit Pump	-----	-----	-----	-----	-----	-----	-----
69	Spring, Pump	-----	-----	-----	-----	-----	-----	-----
70	Retainer Spring	-----	-----	-----	-----	-----	-----	-----
71	Diaphragm, Pump	-----	-----	-----	-----	-----	-----	-----
72	Gasket, Pump	-----	-----	-----	-----	-----	-----	-----
73	Plunger Ass'y, Starter	-----	-----	-----	-----	-----	-----	-----
74	Screw (Plunger Ass'y)	-----	-----	-----	-----	-----	-----	-----
75	Lever, Throttle	-----	-----	-----	-----	-----	-----	-----
76	Spring	-----	-----	-----	-----	-----	-----	-----

PARTS LIST

C1Q TYPE

REF	PART NAME	C1Q S37.A-B	C1Q S41.A	C1Q S41B	C1Q S42.A-B	C1Q S43.A-B	C1Q S44.A	C1Q S45
	Venturi	12.5 mm	10 mm	10 mm	10 mm	13.5 mm	11 mm	11 mm
★	Rebuild Kit	RB-72	RB-66	RB-85	RB-85	RB-77	RB-66	RB-66
●	Gasket & Diaphragm Kit	★ GND-35	★ GND-28	★ GND-51	★ GND-51	★ GND-33	★ GND-28	★ GND-28
▲	Cover Kit, Pump	K017016	K017016	K017016	K017016	-----	-----	-----
■	Base Kit, Primer	-----	-----	-----	-----	-----	-----	-----
	Oil Pump Kit	-----	-----	-----	-----	-----	-----	-----
1	Strainer	★ 0004011	★ 0004011	★ 0004011	★ 0004011	★ 0004011	★ 0004011	★ 0004011
2	Strainer	0004002	-----	-----	-----	-----	-----	-----
3	Strainer	-----	-----	-----	-----	-----	-----	-----
4	Plug, Welch	★ 0005004	★ 0005004	★ 0005004	★ 0005004	★ 0005004	★ 0005006	★ 0005006
5	Plug, Welch	-----	-----	-----	-----	★ 0005007	★ 0005007	★ 0005007
6	Valve, Check	-----	-----	-----	-----	-----	-----	-----
7	Retainer, Check Valve	-----	-----	-----	-----	-----	-----	-----
8	Retainer, Syringe	-----	0009010	0009065	0009065	-----	0009010	0009010
9	Nozzle Ass'y, Check Valve	A007132	A007151	A007151	A007146	A007122	A007153	A007154
10	Shaft Ass'y, Throttle	A011137	A011081	A011081	A011081	A011142	A011081	A011081
11	Lever, Throttle	-----	-----	-----	-----	-----	-----	-----
12	Spring, Throttle Return	0013016	0013016	0013016	0013016	0013016	0013016	0013016
13	Valve, Throttle	0014076	0014054	0014054	0014016	0014079	0014081	0014081
14	Diaphragm Ass'y, Metering	★● A015010	★● A015011	★● A015042	★● A015042	★● A015041	★● A015011	★● A015011
15	Diaphragm, Pump	★● 0015050	★● 0015050	★● 0015050	★● 0015050	★● 0015057	★● 0015050	★● 0015050
16	Diaphragm, Surge	-----	-----	-----	-----	-----	-----	-----
17	Gasket, Metering Chamber	★● 0016019	★● 0016035	★● 0016078	★● 0016078	★● 0016074	★● 0016035	★● 0016035
18	Gasket, Pump	★● 0016033	★● 0016033	★● 0016033	★● 0016033	★● 0016034	★● 0016033	★● 0016033
19	Cover, Pump	▲ 0017032	▲ 0017032	▲ 0017032	▲ 0017032	▲ 0017074	▲ 0017074	▲ 0017074
20	Valve, Inlet Needle	★ 0018004	★ 0018004	★ 0018004	★ 0018004	★ 0018004	★ 0018004	★ 0018004
21	Spring, Metering Lever	★ 0019002	★ 0019009	★ 0019009	★ 0019009	★ 0019006	★ 0019009	★ 0019009
22	Lever, Metering	★ 0020012	★ 0020012	★ 0020012	★ 0020012	★ 0020012	★ 0020012	★ 0020012
23	Pin	★ 0021001	★ 0021001	★ 0021001	★ 0021001	★ 0021001	★ 0021001	★ 0021001
24	Cover, Metering Chamber	0028015	-----	-----	-----	0028023	-----	-----
25	Spring, Adjust Screw	0029005	0029005	0029005	0029005	-----	-----	-----
26	Spring, Adjust Screw	-----	-----	-----	-----	-----	-----	-----
27	Screw, Main Mixture	-----	-----	-----	-----	-----	-----	-----
28	Screw, Idle Mixture	K031139	K031088	K031088	K031103	-----	-----	-----
29	Screw, Throttle Adjust	▲ 0035011	▲ 0035011	▲ 0035011	▲ 0035011	0035065	0035064	0035066
30	Piece, Friction	▲ 0036001	▲ 0036001	▲ 0036001	▲ 0036001	-----	-----	-----
31	Spring, Friction	-----	-----	-----	-----	-----	-----	-----
32	Shaft Ass'y, Choke	A041075	-----	-----	-----	A041016	-----	-----
33	Valve, Choke	0043050	-----	-----	-----	0043050	-----	-----
34	Post	-----	0045036	0045036	0045004	-----	0045036	0045036
35	Collar	-----	-----	-----	-----	-----	-----	-----
36	Plunger	0053005	-----	-----	-----	-----	-----	-----
37	Spring (Plunger Return)	0054025	-----	-----	-----	-----	-----	-----
38	Base Ass'y, Primer	-----	A056070	A056086	A056086	-----	A056070	A056070
39	Syringe	-----	0057004	0057004	0057004	-----	0057004	0057004
40	Screw (Pin)	14803006	14803006	14803006	14803006	14803006	14803006	14803006
41	Screw (Throttle Valve)	15603004	156030045	156030045	15603004	15603004	156030045	156030045
42	Screw (Choke Valve)	156030045	-----	-----	-----	156030045	-----	-----
43	Screw (Post)	-----	-----	-----	-----	-----	-----	-----
44	Screw (Metering Cover)	17203006	17103008	-----	-----	17203006	17103008	17103008
45	Screw (Pump Cover)	17004010	17004010	17004010	17004010	17004010	17004010	17004010
46	Screw (Throttle Lever)	-----	-----	-----	-----	-----	-----	-----
47	Ball, Steel	-----	-----	-----	-----	-----	-----	-----
48	E-Ring (Throttle Shaft)	19500030	19500030	19500030	19500030	19500030	19500030	19500030
49	E-Ring (Post)	19500025	19500040	19500040	19500040	-----	19500040	19500040
50	O-Ring (Plunger)	195503010	-----	-----	-----	-----	-----	-----
51	Screw, Retainer	-----	17203012	17203012	17203012	-----	17203012	17203012
52	E-Ring (Choke Shaft)	-----	-----	-----	-----	19500025	-----	-----
53	Limiters, Mixture (H)	-----	-----	-----	-----	-----	-----	-----
54	Limiters, Mixture (L)	-----	-----	-----	-----	-----	-----	-----
55	Washer (Limiters)	-----	-----	-----	-----	-----	-----	-----
56	Retainer (Limiters)	-----	-----	-----	-----	-----	-----	-----
57	Spring, Choke	0013083	-----	-----	-----	0013083	-----	-----
58	Lever, Choke Control	-----	-----	-----	-----	-----	-----	-----
59	Lever, Choke	-----	-----	-----	-----	-----	-----	-----
60	Collar, Choke Shaft	-----	-----	-----	-----	-----	-----	-----
61	Screw, Choke Shaft	-----	-----	-----	-----	-----	-----	-----
62	Governor Ass'y	-----	-----	-----	-----	-----	-----	-----
63	Washer (Governor)	-----	-----	-----	-----	-----	-----	-----
64	Washer (Post)	-----	0026013	0026013	-----	-----	0026013	0026013
65	Remote Jet	0070049	-----	-----	-----	0070081	0070077	0070079
66	Boot, Retainer	-----	-----	-----	-----	-----	-----	-----
67	O-Ring (Metering Cover)	-----	-----	-----	-----	-----	-----	-----
68	Body, Kit Pump	-----	-----	-----	-----	-----	-----	-----
69	Spring, Pump	-----	-----	-----	-----	-----	-----	-----
70	Retainer Spring	-----	-----	-----	-----	-----	-----	-----
71	Diaphragm, Pump	-----	-----	-----	-----	-----	-----	-----
72	Gasket, Pump	-----	-----	-----	-----	-----	-----	-----
73	Plunger Ass'y, Starter	-----	-----	-----	-----	-----	-----	-----
74	Screw (Plunger Ass'y)	-----	-----	-----	-----	-----	-----	-----
75	Lever, Throttle	-----	-----	-----	-----	-----	-----	-----
76	Spring	-----	-----	-----	-----	-----	-----	-----

PARTS LIST

C1Q TYPE

REF	PART NAME	C1Q S46.A-B	C1Q S47	C1Q S48.A	C1Q S49.A-B	C1Q S50	C1Q S51.A-C	C1Q S51D
	Venturi	12.5 mm	8mm	8mm	11mm	11mm	12.5mm	12.5mm
★	Rebuild Kit	RB-72	RB-85	RB-89	RB-83	RB-79	RB-40	RB-83
●	Gasket & Diaphragm Kit	GND-35	GND-51	GND-50	GND-39	GND-39	GND-28	GND-39
▲	Cover Kit, Pump	K017016	K017016	-----	-----	-----	-----	-----
■	Base Kit, Primer	-----	-----	-----	-----	-----	-----	-----
	Oil Pump Kit	-----	-----	-----	-----	-----	-----	-----
1	Strainer	★ 0004011	★ 0004011	★ 0004011	★ 0004011	★ 0004011	★ 0004011	★ 0004011
2	Strainer	0004002	-----	-----	-----	-----	-----	-----
3	Strainer	-----	-----	-----	-----	-----	-----	-----
4	Plug, Welch	★ 0005004	★ 0005004	★ 0005006	★ 0005006	★ 0005006	★ 0005006	★ 0005006
5	Plug, Welch	-----	-----	★ 0005007	★ 0005007	★ 0005007	★ 0005007	★ 0005007
6	Valve, Check	-----	-----	-----	-----	-----	-----	-----
7	Retainer, Check Valve	-----	-----	-----	-----	-----	-----	-----
8	Retainer, Syringe	-----	0009065	0009065	0009010	0009010	-----	-----
9	Nozzle Ass'y, Check Valve	A007107	A007149	A007156	A007154	A007156	A007154	A007154
10	Shaft Ass'y, Throttle	A011137	A011101	A011081	A011081	A011081	A011159	A011159
11	Lever, Throttle	-----	0012095	-----	-----	-----	0012103	0012103
12	Spring, Throttle Return	0013016	0013016	0013016	0013016	0013016	0013016	0013016
13	Valve, Throttle	0014076	0014054	0014084	0014083	0014082	0014099	0014099
14	Diaphragm Ass'y, Metering	★● A015010	★● A015042	★● A015042	★● A015011	★● A015011	★● A015011	★● A015011
15	Diaphragm, Pump	★● 0015050	★● 0015050	★● 0015050	★● 0015050	★● 0015050	★● 0015050	★● 0015050
16	Diaphragm, Surge	-----	-----	-----	-----	-----	-----	-----
17	Gasket, Metering Chamber	★● 0016019	★● 0016078	★● 0016077	★● 0016021	★● 0016021	★● 0016035	★● 0016021
18	Gasket, Pump	★● 0016033	★● 0016033	★● 0016033	★● 0016033	★● 0016033	★● 0016033	★● 0016033
19	Cover, Pump	▲ 0017032	▲ 0017032	▲ 0017074	▲ 0017074	▲ 0017074	▲ 0017074	▲ 0017074
20	Valve, Inlet Needle	★ 0018004	★ 0018004	★ 0018004	★ 0018004	★ 0018004	★ 0018004	★ 0018004
21	Spring, Metering Lever	★ 0019002	★ 0019009	★ 0019009	★ 0019002	★ 0019009	★ 0019002	★ 0019002
22	Lever, Metering	★ 0020012	★ 0020012	★ 0020012	★ 0020012	★ 0020012	★ 0020012	★ 0020012
23	Pin	★ 0021001	★ 0021001	★ 0021001	★ 0021001	★ 0021001	★ 0021001	★ 0021001
24	Cover, Metering Chamber	0028015	-----	-----	-----	-----	A028024	A028024
25	Spring, Adjust Screw	0029005	0029005	-----	-----	-----	-----	-----
26	Spring, Adjust Screw	-----	-----	-----	-----	-----	-----	-----
27	Screw, Main Mixture	-----	-----	-----	-----	-----	-----	-----
28	Screw, Idle Mixture	K031139	K031098	-----	-----	-----	-----	-----
29	Screw, Throttle Adjust	▲ 0035011	▲ 0035011	0035068	0035068	0035064	0035069	0035065
30	Piece, Friction	▲ 0036001	▲ 0036001	-----	-----	-----	-----	-----
31	Spring, Friction	-----	-----	-----	-----	-----	0038001	0038001
32	Shaft Ass'y, Choke	A041075	-----	-----	-----	-----	0041087	0041087
33	Valve, Choke	0043050	-----	-----	-----	-----	0043049	0043049
34	Post	-----	-----	0045036	0045037	0045036	0045037	0045037
35	Collar	-----	-----	-----	-----	-----	0052009	0052009
36	Plunger	0053058	-----	-----	-----	-----	-----	-----
37	Spring (Plunger Return)	0054025	-----	-----	-----	-----	-----	-----
38	Base Ass'y, Primer	-----	A056064	A056085	A056070	A056071	-----	-----
39	Syringe	-----	0057004	0057004	0057004	0057004	-----	-----
40	Screw (Pin)	14803006	14803006	14803006	14803006	14803006	14803006	14803006
41	Screw (Throttle Valve)	15603004	15603004	15603004	15603004	15603004	15603004	15603004
42	Screw (Choke Valve)	15603004	-----	-----	-----	-----	15603004	15603004
43	Screw (Post)	-----	-----	-----	-----	-----	-----	-----
44	Screw (Metering Cover)	17203006	-----	-----	17103008	17103008	17103007	17103007
45	Screw (Pump Cover)	17004010	17004010	17004010	17004010	17004010	17004010	17004010
46	Screw (Throttle Lever)	-----	17103004	-----	-----	-----	17103004	17103004
47	Ball, Steel	-----	-----	-----	-----	-----	19290030	19290030
48	E-Ring (Throttle Shaft)	19500030	19500040	19500030	19500030	19500030	-----	-----
49	E-Ring (Post)	19500025	-----	19500040	19500040	19500040	19500040	19500040
50	O-Ring (Plunger)	195703010	-----	-----	-----	-----	-----	-----
51	Screw, Retainer	-----	17203012	17203012	17203012	17203012	-----	-----
52	E-Ring (Choke Shaft)	-----	-----	-----	-----	-----	-----	-----
53	Limiters, Mixture (H)	-----	-----	-----	-----	-----	-----	-----
54	Limiters, Mixture (L)	-----	-----	-----	-----	-----	-----	-----
55	Washer (Limiters)	-----	-----	-----	-----	-----	-----	-----
56	Retainer (Limiters)	-----	-----	-----	-----	-----	-----	-----
57	Spring, Choke	0013083	-----	-----	-----	-----	-----	-----
58	Lever, Choke Control	-----	-----	-----	-----	-----	-----	-----
59	Lever, Choke	-----	-----	-----	-----	-----	-----	-----
60	Collar, Choke Shaft	-----	-----	-----	-----	-----	-----	-----
61	Screw, Choke Shaft	-----	-----	-----	-----	-----	-----	-----
62	Governor Ass'y	-----	-----	-----	-----	-----	-----	-----
63	Washer (Governor)	-----	-----	-----	-----	-----	-----	-----
64	Washer (Post)	-----	-----	0026013	0026013	0026013	0026013	0026013
65	Remote Jet	0070089	-----	0070070	0070080	0070074	0070081	0070081
66	Boot, Retainer	-----	-----	-----	-----	-----	-----	-----
67	O-Ring (Metering Cover)	-----	-----	-----	-----	-----	-----	-----
68	Body, Kit Pump	-----	-----	-----	-----	-----	-----	-----
69	Spring, Pump	-----	-----	-----	-----	-----	-----	-----
70	Retainer Spring	-----	-----	-----	-----	-----	-----	-----
71	Diaphragm, Pump	-----	-----	-----	-----	-----	-----	-----
72	Gasket, Pump	-----	-----	-----	-----	-----	-----	-----
73	Plunger Ass'y, Starter	-----	-----	-----	-----	-----	-----	-----
74	Screw (Plunger Ass'y)	-----	-----	-----	-----	-----	-----	-----
75	Lever, Throttle	-----	-----	-----	-----	-----	-----	-----
76	Spring	-----	-----	-----	-----	-----	-----	-----

PARTS LIST

C1Q TYPE

REF	PART NAME	C1Q S53.A	C1Q S54	C1Q S55	C1Q S56	C1Q S57.A	C1Q S57.B	C1Q S58
	Venturi	11mm	11mm	11mm	11mm	13.5mm	13.5mm	11mm
★	Rebuild Kit	RB-85	RB-84	RB-89	RB-85	RB-77	RB-77	RB-89
●	Gasket & Diaphragm Kit	★ GND-51	★ GND-50	★ GND-50	★ GND-51	★ GND-33	★ GND-33	★ GND-50
▲	Cover Kit, Pump	-----	-----	-----	-----	-----	-----	-----
■	Base Kit, Primer	-----	-----	-----	-----	-----	-----	-----
	Oil Pump Kit	-----	-----	-----	-----	-----	-----	-----
1	Strainer	★ 0004011	★ 0004011	★ 0004011	★ 0004011	★ 0004011	★ 0004011	★ 0004011
2	Strainer	-----	-----	-----	-----	-----	-----	-----
3	Strainer	-----	-----	-----	-----	-----	-----	-----
4	Plug, Welch	★ 0005006	★ 0005006	★ 0005006	★ 0005006	★ 0005004	★ 0005004	★ 0005006
5	Plug, Welch	★ 0005007	★ 0005007	★ 0005007	★ 0005007	★ 0005007	★ 0005007	★ 0005007
6	Valve, Check	-----	-----	-----	-----	-----	-----	-----
7	Retainer, Check Valve	-----	-----	-----	-----	-----	-----	-----
8	Retainer, Syringe	0009065	0009065	0009065	0009065	-----	-----	0009065
9	Nozzle Ass'y, Check Valve	A007153	A007154	A007156	A007154	A007122	A007122	A007154
10	Shaft Ass'y, Throttle	A011081	A011081	A011081	A011081	A011142	A011142	A011081
11	Lever, Throttle	-----	-----	-----	-----	-----	-----	-----
12	Spring, Throttle Return	0013016	0013016	0013016	0013016	0013016	0013016	0013016
13	Valve, Throttle	0014081	0014086	0014087	0014081	0014079	0014079	0014086
14	Diaphragm Ass'y, Metering	★● A015042	★● A015042	★● A015042	★● A015042	★● A015041	★● A015041	★● A015042
15	Diaphragm, Pump	★● 0015050	★● 0015050	★● 0015050	★● 0015050	★● 0015057	★● 0015057	★● 0015050
16	Diaphragm, Surge	-----	-----	-----	-----	-----	-----	-----
17	Gasket, Metering Chamber	★● 0016078	★● 0016077	★● 0016077	★● 0016078	★● 0016035	★● 0016035	★● 0016077
18	Gasket, Pump	★● 0016033	★● 0016033	★● 0016033	★● 0016033	★● 0016034	★● 0016034	★● 0016033
19	Cover, Pump	0017074	0017074	0017074	0017074	0017074	0017101	0017074
20	Valve, Inlet Needle	★ 0018004	★ 0018004	★ 0018004	★ 0018004	★ 0018004	★ 0018004	★ 0018004
21	Spring, Metering Lever	★ 0019009	★ 0019002	★ 0019009	★ 0019009	★ 0019006	★ 0019006	★ 0019009
22	Lever, Metering	★ 0020012	★ 0020012	★ 0020012	★ 0020012	★ 0020012	★ 0020012	★ 0020012
23	Pin	★ 0021001	★ 0021001	★ 0021001	★ 0021001	★ 0021001	★ 0021001	★ 0021001
24	Cover, Metering Chamber	-----	-----	-----	-----	0028036	0028036	-----
25	Spring, Adjust Screw	-----	-----	-----	-----	-----	-----	-----
26	Spring, Adjust Screw	-----	-----	-----	-----	-----	-----	-----
27	Screw, Main Mixture	-----	-----	-----	-----	-----	-----	-----
28	Screw, Idle Mixture	-----	-----	-----	-----	-----	-----	-----
29	Screw, Throttle Adjust	0035064	0035064	0035066	0035066	0035065	0035082	0035064
30	Piece, Friction	-----	-----	-----	-----	-----	-----	-----
31	Spring, Friction	-----	-----	-----	-----	-----	-----	-----
32	Shaft Ass'y, Choke	-----	-----	-----	-----	A041016	A041016	-----
33	Valve, Choke	-----	-----	-----	-----	0043050	0043050	-----
34	Post	0045036	0045037	0045036	0045036	-----	-----	0045036
35	Collar	-----	-----	-----	-----	-----	-----	-----
36	Plunger	-----	-----	-----	-----	-----	-----	-----
37	Spring (Plunger Return)	-----	-----	-----	-----	-----	-----	-----
38	Base Ass'y, Primer	A056073	A056086	A056085	A056086	-----	-----	A056086
39	Syringe	0057004	0057004	0057004	0057004	-----	-----	0057004
40	Screw (Pin)	14803006	14803006	14803006	14803006	14803006	14803006	14803006
41	Screw (Throttle Valve)	156030045	156030045	156030045	156030045	15603004	15603004	156030045
42	Screw (Choke Valve)	-----	-----	-----	-----	156030045	156030045	-----
43	Screw (Post)	-----	-----	-----	-----	-----	-----	-----
44	Screw (Metering Cover)	-----	-----	-----	-----	17103007	17103007	-----
45	Screw (Pump Cover)	17004010	17004010	17004010	17004010	17004010	17004010	17004010
46	Screw (Throttle Lever)	-----	-----	-----	-----	-----	-----	-----
47	Ball, Steel	-----	-----	-----	-----	-----	-----	-----
48	E-Ring (Throttle Shaft)	19500030	19500030	19500030	19500030	19500030	19500030	19500030
49	E-Ring (Post)	19500040	19500040	19500040	19500040	-----	-----	19500040
50	O-Ring (Plunger)	-----	-----	-----	-----	-----	-----	-----
51	Screw, Retainer	17203012	17203012	17203012	17203012	-----	-----	17203012
52	E-Ring (Choke Shaft)	-----	-----	-----	-----	19500025	19500025	-----
53	Limiters, Mixture (H)	-----	-----	-----	-----	-----	-----	-----
54	Limiters, Mixture (L)	-----	-----	-----	-----	-----	-----	-----
55	Washer (Limiters)	-----	-----	-----	-----	-----	-----	-----
56	Retainer (Limiters)	-----	-----	-----	-----	-----	-----	-----
57	Spring, Choke	-----	-----	-----	-----	0013083	0013083	-----
58	Lever, Choke Control	-----	-----	-----	-----	-----	-----	-----
59	Lever, Choke	-----	-----	-----	-----	-----	-----	-----
60	Collar, Choke Shaft	-----	-----	-----	-----	-----	-----	-----
61	Screw, Choke Shaft	-----	-----	-----	-----	-----	-----	-----
62	Governor Ass'y	-----	-----	-----	-----	-----	-----	-----
63	Washer (Governor)	-----	-----	-----	-----	-----	-----	-----
64	Washer (Post)	0026013	0026013	0026013	0026013	-----	-----	0026013
65	Remote Jet	0070078	0070080	0070042	0070079	0070082	0070081	0070080
66	Boot, Retainer	-----	-----	-----	-----	195507015	195507015	-----
67	O-Ring (Metering Cover)	-----	-----	-----	-----	-----	-----	-----
68	Body, Kit Pump	-----	-----	-----	-----	-----	-----	-----
69	Spring, Pump	-----	-----	-----	-----	-----	-----	-----
70	Retainer Spring	-----	-----	-----	-----	-----	-----	-----
71	Diaphragm, Pump	-----	-----	-----	-----	-----	-----	-----
72	Gasket, Pump	-----	-----	-----	-----	-----	-----	-----
73	Plunger Ass'y, Starter	-----	-----	-----	-----	-----	-----	-----
74	Screw (Plunger Ass'y)	-----	-----	-----	-----	-----	-----	-----
75	Lever, Throttle	-----	-----	-----	-----	-----	-----	-----
76	Spring	-----	-----	-----	-----	-----	-----	-----

PARTS LIST

C1Q TYPE

REF	PART NAME	C1Q S59.A	C1Q S60	C1Q S61.A-E	C1Q S62	C1Q S63.A	C1Q S64	C1Q S66
	Venturi	13.5mm	11mm	12.5mm	11 mm	11mm	11mm	11mm
★	Rebuild Kit	RB-91	RB-85	RB-69	RB-93	RB-84	RB-89	RB-84
●	Gasket & Diaphragm Kit	GND-39	GND-51	GND-39	GND-53	GND-50	GND-50	GND-50
▲	Cover Kit, Pump	K017016	-----	K017016	-----	K017069	K017069	K017069
■	Base Kit, Primer	-----	-----	-----	-----	-----	-----	-----
	Oil Pump Kit	-----	-----	-----	-----	-----	-----	-----
1	Strainer	★ 0004011	★ 0004011	★ 0004011	★ 0004011	★ 0004011	★ 0004011	★ 0004011
2	Strainer	-----	-----	0004002	-----	0004005	0004005	0004005
3	Strainer	0004002	-----	-----	-----	-----	-----	-----
4	Plug, Welch	★ 0005013	★ 0005006	★ 0005013	★ 0005006	★ 0005013	★ 0005013	★ 0005013
5	Plug, Welch	-----	★ 0005007	★ 0005013	★ 0005007	-----	-----	-----
6	Valve, Check	-----	-----	-----	-----	-----	-----	-----
7	Retainer, Check Valve	-----	-----	-----	-----	-----	-----	-----
8	Retainer, Syringe	-----	0009065	-----	0009065	0009065	0009065	0009065
9	Nozzle Ass'y, Check Valve	A007142	A007154	A007208	A007154	-----	-----	-----
10	Shaft Ass'y, Throttle	A011137	A011081	A011199	A011081	A011170	A011171	A011170
11	Lever, Throttle	-----	-----	-----	-----	-----	0012157	-----
12	Spring, Throttle Return	0013016	0013016	0013016	0013016	0013016	0013072	0013016
13	Valve, Throttle	0014093	0014081	0014091	0014090	0014095	0014095	0014096
14	Diaphragm Ass'y, Metering	★● A015011	★● A015042	★● A015011	★● A015044	★● A015042	★● A015042	★● A015042
15	Diaphragm, Pump	★● 0015050	★● 0015050	★● 0015050	★● 0015050	★● 0015050	★● 0015050	★● 0015050
16	Diaphragm, Surge	-----	-----	-----	-----	-----	-----	-----
17	Gasket, Metering Chamber	★● 0016021	★● 0016078	★● 0016021	★● 0016077	★● 0016077	★● 0016077	★● 0016077
18	Gasket, Pump	★● 0016033	★● 0016033	★● 0016033	★● 0016033	★● 0016033	★● 0016033	★● 0016033
19	Cover, Pump	▲ 0017032	0017074	▲ 0017032	0017074	▲ 0017032	▲ 0017032	▲ 0017032
20	Valve, Inlet Needle	★ 0018004	★ 0018004	★ 0018004	★ 0018004	★ 0018004	★ 0018004	★ 0018004
21	Spring, Metering Lever	★ 0019002	★ 0019009	★ 0019012	★ 0019009	★ 0019002	★ 0019009	★ 0019002
22	Lever, Metering	★ 0020012	★ 0020012	★ 0020012	★ 0020012	★ 0020012	★ 0020012	★ 0020012
23	Pin	★ 0021001	★ 0021001	★ 0021001	★ 0021001	★ 0021001	★ 0021001	★ 0021001
24	Cover, Metering Chamber	0028023	-----	0028026	-----	-----	-----	-----
25	Spring, Adjust Screw	-----	-----	-----	-----	-----	-----	-----
26	Spring, Adjust Screw	0029005	-----	-----	-----	-----	-----	-----
27	Screw, Main Mixture	0030177	-----	0030177	-----	0030180	0030180	0030180
28	Screw, Idle Mixture	0031179	-----	0031179	-----	A031002	A031002	A031002
29	Screw, Throttle Adjust	▲ 0035011	0035066	▲ 0035011	0035066	▲ A035001	▲ A035001	▲ A035001
30	Piece, Friction	▲ 0036001	-----	▲ 0036001	-----	▲ 0036001	▲ 0036001	▲ 0036001
31	Spring, Friction	-----	-----	-----	-----	-----	-----	-----
32	Shaft Ass'y, Choke	A041075	-----	A041049	-----	-----	-----	-----
33	Valve, Choke	0043050	-----	0043027	-----	-----	-----	-----
34	Post	-----	0045036	-----	0045036	0045036	-----	0045036
35	Collar	-----	-----	-----	-----	-----	0052009	-----
36	Plunger	0053058	-----	0053038	-----	0053004	0053004	0053004
37	Spring (Plunger Return)	0054025	-----	0054025	-----	0054055	0054055	0054055
38	Base Ass'y, Primer	-----	A056086	-----	A056086	A056073	A056072	A056077
39	Syringe	-----	0057004	-----	0057004	0057004	0057004	0057004
40	Screw (Pin)	14803006	14803006	14803006	14803006	14803006	14803006	14803006
41	Screw (Throttle Valve)	15603004	156030045	15603004	156030045	156030045	156030045	156030045
42	Screw (Choke Valve)	156030045	-----	156030045	-----	-----	-----	-----
43	Screw (Post)	-----	-----	-----	-----	-----	-----	-----
44	Screw (Metering Cover)	17203006	-----	17103007	-----	-----	-----	-----
45	Screw (Pump Cover)	17004010	17004010	17004010	17004010	17004010	17004010	17004010
46	Screw (Throttle Lever)	-----	-----	-----	-----	-----	17103004	-----
47	Ball, Steel	-----	-----	-----	-----	-----	-----	-----
48	E-Ring (Throttle Shaft)	19500030	19500030	19500030	19500030	19500030	-----	19500030
49	E-Ring (Post)	-----	19500040	-----	19500040	19500040	-----	19500040
50	O-Ring (Plunger)	195703010	-----	195503010	-----	195502308	195502308	195502308
51	Screw, Retainer	-----	17203012	-----	17203012	17203012	17203012	17203012
52	E-Ring (Choke Shaft)	19500025	-----	19500025	-----	-----	-----	-----
53	Limiters, Mixture (H)	0061051	-----	0061054	-----	0061053	0061053	0061053
54	Limiters, Mixture (L)	-----	-----	-----	-----	-----	-----	-----
55	Washer (Limiters)	-----	-----	-----	-----	-----	-----	-----
56	Retainer (Limiters)	-----	-----	-----	-----	-----	-----	-----
57	Spring, Choke	0013083	-----	0013083	-----	-----	-----	-----
58	Lever, Choke Control	-----	-----	-----	-----	-----	-----	-----
59	Lever, Choke	-----	-----	-----	-----	-----	-----	-----
60	Collar, Choke Shaft	-----	-----	-----	-----	-----	-----	-----
61	Screw, Choke Shaft	-----	-----	-----	-----	-----	-----	-----
62	Governor Ass'y	-----	-----	-----	-----	-----	-----	-----
63	Washer (Governor)	-----	-----	-----	-----	-----	-----	-----
64	Washer (Post)	-----	0026013	-----	0026013	0026013	-----	0026013
65	Remote Jet	0070089	0070081	-----	0070079	0070039	0070042	0070042
66	Boot, Retainer	-----	-----	-----	-----	-----	-----	-----
67	O-Ring (Metering Cover)	-----	-----	-----	-----	-----	-----	-----
68	Body, Kit Pump	-----	-----	-----	-----	-----	-----	-----
69	Spring, Pump	-----	-----	-----	-----	-----	-----	-----
70	Retainer Spring	-----	-----	-----	-----	-----	-----	-----
71	Diaphragm, Pump	-----	-----	-----	-----	-----	-----	-----
72	Gasket, Pump	-----	-----	-----	-----	-----	-----	-----
73	Plunger Ass'y, Starter	-----	-----	-----	-----	-----	-----	-----
74	Screw (Plunger Ass'y)	-----	-----	-----	-----	-----	-----	-----
75	Lever, Throttle	-----	-----	-----	-----	-----	-----	-----
76	Spring	-----	-----	-----	-----	-----	-----	-----

PARTS LIST

C1Q TYPE

REF	PART NAME	C1Q S67	C1Q S68.A-D	C1Q S69A	C1Q S70	C1Q S70A	C1Q S71	C1Q S72
	Venturi	11mm	11 mm	11 mm	11 mm	11 mm	11 mm	10 mm
★	Rebuild Kit	RB-96	RB-99	RB-100	RB-100	RB-161	RB-100	RB-97
●	Gasket & Diaphragm Kit	GND-53	GND-56	GND-56	GND-56	GND-92	GND-56	GND-55
▲	Cover Kit, Pump	K017069	K017069	K017075	K017069	K017069	K017069	-----
■	Base Kit, Primer	-----	-----	-----	-----	-----	-----	-----
	Oil Pump Kit	-----	-----	-----	-----	-----	-----	-----
1	Strainer	★ 0004011	★ 0004011	★ 0004011	★ 0004011	★ 0004011	★ 0004011	★ 0004004
2	Strainer	0004005	0004005	0004005	0004005	0004005	0004005	0004005
3	Strainer	-----	-----	-----	-----	-----	-----	-----
4	Plug, Welch	★ 0005013	★ 0005013	★ 0005013	★ 0005013	★ 0005013	★ 0005013	★ 0005013
5	Plug, Welch	-----	-----	-----	★ 0005042	★ 0005042	-----	-----
6	Valve, Check	-----	-----	-----	-----	-----	-----	-----
7	Retainer, Check Valve	-----	-----	-----	-----	-----	-----	-----
8	Retainer, Syringe	0009065	0009065	0009065	0009065	0009065	0009065	0009065
9	Nozzle Ass'y, Check Valve	-----	-----	-----	-----	-----	-----	A007171
10	Shaft Ass'y, Throttle	A011170	A011237	A011193	A011170	A011170	A011170	A011178
11	Lever, Throttle	-----	0012157	-----	-----	-----	-----	-----
12	Spring, Throttle Return	0013016	0013072	0013016	0013016	0013016	0013016	0013080
13	Valve, Throttle	0014043	0014095	0014095	0014102	0014102	0014096	0014020
14	Diaphragm Ass'y, Metering	★● A015044	★● A015053	★● A015053	★● A015053	★● A015052	★● A015053	★● A015053
15	Diaphragm, Pump	★● 0015050	★● 0015050	★● 0015050	★● 0015050	★● 0015050	★● 0015050	★● 0015051
16	Diaphragm, Surge	-----	-----	-----	-----	-----	-----	-----
17	Gasket, Metering Chamber	★● 0016077	★● 0016085	★● 0016085	★● 0016085	★● 0016085	★● 0016085	★● 0016086
18	Gasket, Pump	★● 0016033	★● 0016033	★● 0016033	★● 0016033	★● 0016033	★● 0016033	★● 0016084
19	Cover, Pump	▲ 0017032	▲ 0017032	▲ 0017032	▲ 0017032	▲ 0017032	▲ 0017032	A017041
20	Valve, Inlet Needle	★ 0018004	★ 0018004	★ 0018004	★ 0018004	★ 0018004	★ 0018004	★ 0018004
21	Spring, Metering Lever	★ 0019002	★ 0019009	★ 0019002	★ 0019002	★ 0019002	★ 0019002	★ 0019002
22	Lever, Metering	★ 0020012	★ 0020012	★ 0020012	★ 0020012	★ 0020012	★ 0020012	★ 0020012
23	Pin	★ 0021001	★ 0021001	★ 0021001	★ 0021001	★ 0021001	★ 0021001	★ 0021001
24	Cover, Metering Chamber	-----	-----	-----	-----	-----	-----	-----
25	Spring, Adjust Screw	-----	-----	-----	-----	-----	-----	-----
26	Spring, Adjust Screw	-----	-----	-----	-----	-----	-----	-----
27	Screw, Main Mixture	0030180	0030185	0030185	0030185	0030185	0030185	0030185
28	Screw, Idle Mixture	A031003	A031002	A031002	A031005	A031005	A031002	A031006
29	Screw, Throttle Adjust	▲ A035001	▲ A035001	▲ A035003	▲ A035001	▲ A035001	▲ A035001	▲ A035002
30	Piece, Friction	▲ 0036001	▲ 0036001	▲ 0036001	▲ 0036001	▲ 0036001	▲ 0036001	-----
31	Spring, Friction	-----	-----	-----	-----	-----	-----	0038001
32	Shaft Ass'y, Choke	-----	-----	-----	-----	-----	-----	0041107
33	Valve, Choke	-----	-----	-----	-----	-----	-----	0043049
34	Post	0045037	-----	0045036	0045037	0045037	0045036	0045037
35	Collar	-----	0052009	-----	-----	-----	-----	-----
36	Plunger	0053004	0053061	0053004	0053004	0053062	0053004	0053030
37	Spring (Plunger Return)	0054055	0054057	0054055	0054055	0054057	0054055	0054057
38	Base Ass'y, Primer	A056073	A056136	A056081	A056081	A056127	A056081	A056083
39	Syringe	0057004	0057004	0057004	0057004	0057004	0057004	0057004
40	Screw (Pin)	14803006	14803006	14803006	14803006	14803006	14803006	14803006
41	Screw (Throttle Valve)	15603004	156030045	156030045	15603004	15603004	156030045	15603004
42	Screw (Choke Valve)	-----	-----	-----	-----	-----	-----	156030045
43	Screw (Post)	-----	-----	-----	-----	-----	-----	-----
44	Screw (Metering Cover)	-----	-----	-----	-----	-----	-----	-----
45	Screw (Pump Cover)	17004010	17004010	17004010	17004010	17004010	17004010	17104015
46	Screw (Throttle Lever)	-----	17103004	-----	-----	-----	-----	-----
47	Ball, Steel	-----	-----	-----	-----	-----	-----	19290030
48	E-Ring (Throttle Shaft)	19500030	-----	19500030	19500030	19500030	19500030	19500030
49	E-Ring (Post)	19500040	-----	19500040	19500040	19500040	19500040	19500040
50	O-Ring (Plunger)	195502308	195702308	195502308	195502308	195702308	195502308	195503010
51	Screw, Retainer	17203012	17203012	17203012	17203012	17203012	17203012	17203012
52	E-Ring (Choke Shaft)	-----	-----	-----	-----	-----	-----	-----
53	Limiters, Mixture (H)	0061053	0061055	0061055	0061055	0061055	0061055	0061055
54	Limiters, Mixture (L)	-----	-----	-----	-----	-----	-----	-----
55	Washer (Limiters)	-----	-----	-----	-----	-----	-----	-----
56	Retainer (Limiters)	-----	-----	-----	-----	-----	-----	-----
57	Spring, Choke	-----	-----	-----	-----	-----	-----	-----
58	Lever, Choke Control	-----	-----	-----	-----	-----	-----	-----
59	Lever, Choke	-----	-----	-----	-----	-----	-----	0042101
60	Collar, Choke Shaft	-----	-----	-----	-----	-----	-----	-----
61	Screw, Choke Shaft	-----	-----	-----	-----	-----	-----	-----
62	Governor Ass'y	-----	-----	-----	-----	-----	-----	-----
63	Washer (Governor)	-----	-----	-----	-----	-----	-----	-----
64	Washer (Post)	0026013	-----	0026013	0026013	0026013	0026013	0026013
65	Remote Jet	0070076	0070042	0070040	0070076	0070076	0070076	0070039
66	Boot, Retainer	-----	-----	-----	-----	-----	-----	-----
67	O-Ring (Metering Cover)	-----	-----	-----	-----	-----	-----	-----
68	Body, Kit Pump	-----	-----	-----	-----	-----	-----	K049003
69	Spring, Pump	-----	-----	-----	-----	-----	-----	0054056
70	Retainer Spring	-----	-----	-----	-----	-----	-----	0009068
71	Diaphragm, Pump	-----	-----	-----	-----	-----	-----	★● 0015091
72	Gasket, Pump	-----	-----	-----	-----	-----	-----	★● 0016083
73	Plunger Ass'y, Starter	-----	-----	-----	-----	-----	-----	-----
74	Screw (Plunger Ass'y)	-----	-----	-----	-----	-----	-----	-----
75	Lever, Throttle	-----	-----	-----	-----	-----	-----	-----
76	Spring	-----	-----	-----	-----	-----	-----	-----

PARTS LIST

C1Q TYPE

REF	PART NAME	C1Q S72B	C1Q S73	C1Q S74.A-D	C1Q S75.A-B	C1Q S76.A-B	C1Q S77.A-B	C1Q S78
	Venturi	10 mm	8 mm	11 mm	13.5 mm	13.5 mm	13.5 mm	11 mm
★	Rebuild Kit	RB-114	RB-100	RB-106	RB-105	RB-105	RB-105	RB-84
●	Gasket & Diaphragm Kit	★ GND-55	★ GND-56	★ GND-58	★ GND-35	★ GND-35	★ GND-35	★ GND-50
▲	Cover Kit, Pump	-----	K017069	K017069	K017016	K017016	K017016	K017069
■	Base Kit, Primer	-----	-----	-----	-----	-----	-----	-----
	Oil Pump Kit	-----	-----	-----	-----	-----	-----	-----
1	Strainer	★ 0004004	★ 0004011	★ 0004011	★ 0004011	★ 0004011	★ 0004011	★ 0004011
2	Strainer	0004005	0004005	0004005	0004002	0004002	0004002	0004005
3	Strainer	-----	-----	-----	-----	-----	-----	-----
4	Plug, Welch	★ 0005013	★ 0005013	★ 0005013	★ 0005013	★ 0005013	★ 0005013	★ 0005013
5	Plug, Welch	-----	-----	★ 0005042	★ 0005009	★ 0005009	★ 0005009	-----
6	Valve, Check	-----	-----	-----	-----	-----	-----	-----
7	Retainer, Check Valve	-----	-----	-----	-----	-----	-----	-----
8	Retainer, Syringe	0009065	0009065	0009065	-----	-----	-----	0009065
9	Nozzle Ass'y, Check Valve	A007171	-----	-----	A007180	A007180	A007180	-----
10	Shaft Ass'y, Throttle	A011178	A011171	A011170	A011182	A011183	A011183	A011170
11	Lever, Throttle	-----	0012157	-----	-----	-----	-----	-----
12	Spring, Throttle Return	0013080	0013072	0013016	0013016	0013016	0013016	0013016
13	Valve, Throttle	0014020	0014082	0014050	0014105	0014105	0014105	0014095
14	Diaphragm Ass'y, Metering	★● A015053	★● A015053	★● A015052	★● A015010	★● A015010	★● A015010	★● A015042
15	Diaphragm, Pump	★● 0015051	★● 0015050	★● 0015050	★● 0015050	★● 0015050	★● 0015050	★● 0015050
16	Diaphragm, Surge	-----	-----	-----	-----	-----	-----	-----
17	Gasket, Metering Chamber	★● 0016086	★● 0016085	★● 0016086	★● 0016019	★● 0016019	★● 0016019	★● 0016077
18	Gasket, Pump	★● 0016084	★● 0016033	★● 0016033	★● 0016033	★● 0016033	★● 0016033	★● 0016033
19	Cover, Pump	A017041	▲ 0017032	▲ 0017032	▲ 0017032	▲ 0017032	▲ 0017032	▲ 0017032
20	Valve, Inlet Needle	★ 0018004	★ 0018004	★ 0018004	★ 0018004	★ 0018004	★ 0018004	★ 0018004
21	Spring, Metering Lever	★ 0019009	★ 0019002	★ 0019012	★ 0019015	★ 0019015	★ 0019015	★ 0019002
22	Lever, Metering	★ 0020012	★ 0020012	★ 0020012	★ 0020012	★ 0020012	★ 0020012	★ 0020012
23	Pin	★ 0021001	★ 0021001	★ 0021001	★ 0021001	★ 0021001	★ 0021001	★ 0021001
24	Cover, Metering Chamber	-----	-----	-----	0028015	0028015	0028015	-----
25	Spring, Adjust Screw	-----	-----	-----	-----	-----	-----	-----
26	Spring, Adjust Screw	-----	-----	-----	-----	-----	-----	-----
27	Screw, Main Mixture	0030185	0030192	0030196	0030193	0030193	0030193	0030180
28	Screw, Idle Mixture	A031006	A031007	A031008	0031179	0031179	0031179	A031002
29	Screw, Throttle Adjust	A035002	▲ A035001	▲ A035001	▲ 0035011	▲ 0035011	▲ 0035011	▲ A035001
30	Piece, Friction	-----	▲ 0036001	▲ 0036001	▲ 0036001	▲ 0036001	▲ 0036001	▲ 0036001
31	Spring, Friction	0038001	-----	-----	-----	-----	-----	-----
32	Shaft Ass'y, Choke	0041107	-----	-----	A041016	A041016	A041016	-----
33	Valve, Choke	0043049	-----	-----	0043058	0043050	0043050	-----
34	Post	0045037	-----	0045036	-----	-----	-----	0045036
35	Collar	-----	0052009	-----	-----	-----	-----	-----
36	Plunger	0053033	0053004	0053062	-----	-----	-----	0053004
37	Spring (Plunger Return)	0054057	0054055	0054057	0054057	0054057	0054057	0054055
38	Base Ass'y, Primer	A056083	A056088	A056127	-----	-----	-----	A056073
39	Syringe	0057004	0057004	0057004	-----	-----	-----	0057004
40	Screw (Pin)	14803006	14803006	14803006	14803006	14803006	14803006	14803006
41	Screw (Throttle Valve)	15603004	156030045	156030045	15603004	15603004	15603004	156030045
42	Screw (Choke Valve)	156030045	-----	-----	156030045	156030045	156030045	-----
43	Screw (Post)	-----	-----	-----	-----	-----	-----	-----
44	Screw (Metering Cover)	-----	-----	-----	17203006	17203006	17203006	-----
45	Screw (Pump Cover)	17104015	17004010	17004010	17004010	17004010	17004010	17004010
46	Screw (Throttle Lever)	-----	17103004	-----	-----	-----	-----	-----
47	Ball, Steel	19290030	-----	-----	-----	-----	-----	-----
48	E-Ring (Throttle Shaft)	19500030	-----	19500030	19500030	19500030	19500030	19500030
49	E-Ring (Post)	19500040	-----	19500040	-----	-----	-----	19500040
50	O-Ring (Plunger)	195503010	195502308	195702308	195703010	195703010	195703010	195502308
51	Screw, Retainer	17203012	17203012	17203012	-----	-----	-----	17203012
52	E-Ring (Choke Shaft)	-----	-----	-----	19500025	19500025	19500025	-----
53	Limit, Mixture (H)	0061055	0061055	0061055	0061054	0061054	0061054	0061053
54	Limit, Mixture (L)	-----	-----	-----	-----	-----	-----	-----
55	Washer (Limit)	-----	-----	-----	-----	-----	-----	-----
56	Retainer (Limit)	-----	-----	-----	-----	-----	-----	-----
57	Spring, Choke	-----	-----	-----	0013082	0013083	0013083	-----
58	Lever, Choke Control	-----	-----	-----	-----	-----	-----	-----
59	Lever, Choke	0042101	-----	-----	-----	-----	-----	-----
60	Collar, Choke Shaft	-----	-----	-----	-----	-----	-----	-----
61	Screw, Choke Shaft	-----	-----	-----	-----	-----	-----	-----
62	Governor Ass'y	-----	-----	-----	-----	-----	-----	-----
63	Washer (Governor)	-----	-----	-----	-----	-----	-----	-----
64	Washer (Post)	0026013	-----	0026013	-----	-----	-----	0026013
65	Remote Jet	0070039	0070066	0070082	0070080	0070080	0070082	0070039
66	Boot, Retainer	-----	-----	-----	-----	-----	-----	-----
67	O-Ring (Metering Cover)	-----	-----	-----	-----	-----	-----	-----
68	Body, Kit Pump	K049003	-----	-----	-----	-----	-----	-----
69	Spring, Pump	0054056	-----	-----	-----	-----	-----	-----
70	Retainer Spring	0009068	-----	-----	-----	-----	-----	-----
71	Diaphragm, Pump	★● 0015091	-----	-----	-----	-----	-----	-----
72	Gasket, Pump	★● 0016083	-----	-----	-----	-----	-----	-----
73	Plunger Ass'y, Starter	-----	-----	-----	-----	-----	-----	-----
74	Screw (Plunger Ass'y)	-----	-----	-----	-----	-----	-----	-----
75	Lever, Throttle	-----	-----	-----	-----	-----	-----	-----
76	Spring	-----	-----	-----	-----	-----	-----	-----

PARTS LIST

C1Q TYPE

REF	PART NAME	C1Q S79	C1Q S80B	C1Q S80C	C1Q S81	C1Q S82	C1Q S83	C1Q S84.A-C
	Venturi	11 mm	11 mm	11 mm	10 mm	12.5 mm	12.5 mm	13.5 mm
★	Rebuild Kit	RB-100	RB-100	RB-100	RB-114	RB-89	RB-89	RB-105
●	Gasket & Diaphragm Kit	GND-56	GND-56	GND-56	GND-55	GND-50	GND-50	GND-35
▲	Cover Kit, Pump	K017069	K017094	K017094	-----	K017087	K017087	K017016
■	Base Kit, Primer	-----	-----	-----	-----	-----	-----	-----
	Oil Pump Kit	-----	-----	-----	-----	-----	-----	-----
1	Strainer	★ 0004011	★ 0004011	★ 0004011	★ 0004004	★ 0004011	★ 0004011	★ 0004011
2	Strainer	0004005	0004005	0004005	0004005	-----	-----	0004002
3	Strainer	0004006	-----	-----	-----	-----	-----	-----
4	Plug, Welch	★ 0005013	★ 0005013	★ 0005013	★ 0005013	★ 0005013	★ 0005013	★ 0005013
5	Plug, Welch	-----	-----	-----	-----	-----	-----	★ 0005009
6	Valve, Check	-----	-----	-----	-----	-----	-----	-----
7	Retainer, Check Valve	-----	-----	-----	-----	-----	-----	-----
8	Retainer, Syringe	0009065	0009065	0009065	0009065	-----	-----	-----
9	Nozzle Ass'y, Check Valve	-----	-----	-----	-----	-----	-----	A007180
10	Shaft Ass'y, Throttle	A011189	A011193	A011193	A011178	A011190	A011190	A011182
11	Lever, Throttle	-----	-----	-----	-----	0012103	0012103	-----
12	Spring, Throttle Return	0013080	0013016	0013016	0013080	0013016	0013016	0013016
13	Valve, Throttle	0014096	0014095	0014095	0014020	0014109	0014109	0014105
14	Diaphragm Ass'y, Metering	★● A015053	★● A015053	★● A015053	★● A015053	★● A015042	★● A015042	★● A015010
15	Diaphragm, Pump	★● 0015050	★● 0015050	★● 0015050	★● 0015051	★● 0015050	★● 0015050	★● 0015050
16	Diaphragm, Surge	-----	-----	-----	-----	-----	-----	-----
17	Gasket, Metering Chamber	★● 0016085	★● 0016085	★● 0016085	★● 0016086	★● 0016077	★● 0016077	★● 0016019
18	Gasket, Pump	★● 0016033	★● 0016033	★● 0016033	★● 0016084	★● 0016033	★● 0016033	★● 0016033
19	Cover, Pump	▲ 0017032	▲ 0017096	▲ 0017096	A017044	▲	▲	▲ 0017032
20	Valve, Inlet Needle	★ 0018004	★ 0018004	★ 0018004	★ 0018004	★ 0018004	★ 0018004	★ 0018004
21	Spring, Metering Lever	★ 0019002	★ 0019002	★ 0019002	★ 0019009	★ 0019009	★ 0019009	★ 0019015
22	Lever, Metering	★ 0020012	★ 0020012	★ 0020012	★ 0020012	★ 0020012	★ 0020012	★ 0020012
23	Pin	★ 0021001	★ 0021001	★ 0021001	★ 0021001	★ 0021001	★ 0021001	★ 0021001
24	Cover, Metering Chamber	-----	-----	-----	-----	A028024	A028024	0028015
25	Spring, Adjust Screw	-----	-----	-----	-----	-----	-----	-----
26	Spring, Adjust Screw	-----	-----	-----	-----	-----	-----	-----
27	Screw, Main Mixture	0030185	0030185	0030185	0030185	0030200	0030200	0030240
28	Screw, Idle Mixture	A031002	A031002	A031002	0031191	A031011	A031012	0031179
29	Screw, Throttle Adjust	▲ A035001	▲ A035004	▲ A035004	A035002	▲	▲	▲ 0035011
30	Piece, Friction	▲ 0036001	▲ 0036001	▲ 0036001	0036001	▲	▲	▲ 0036001
31	Spring, Friction	-----	-----	-----	0038001	0038001	0038001	-----
32	Shaft Ass'y, Choke	-----	-----	-----	0041107	0041087	0041087	A041016
33	Valve, Choke	-----	-----	-----	0043049	0043049	0043049	0043058
34	Post	0045036	0045036	0045036	0045037	0045037	0045037	-----
35	Collar	-----	-----	-----	-----	-----	-----	-----
36	Plunger	0053004	0053061	0053061	0053033	-----	-----	-----
37	Spring (Plunger Return)	0054055	0054057	0054057	0054057	-----	-----	0054057
38	Base Ass'y, Primer	A056081	A056081	A056081	A056083	-----	-----	-----
39	Syringe	0057004	0057004	0057004	0057004	-----	-----	-----
40	Screw (Pin)	14803006	14803006	14803006	14803006	14803006	14803006	14803006
41	Screw (Throttle Valve)	156030045	156030045	156030045	156030045	15603004	15603004	15603004
42	Screw (Choke Valve)	-----	-----	-----	156030045	156030045	156030045	156030045
43	Screw (Post)	-----	-----	-----	-----	-----	-----	-----
44	Screw (Metering Cover)	-----	-----	-----	-----	17103007	17103007	17203006
45	Screw (Pump Cover)	17004010	17004010	17004010	17104015	17004010	17004010	17004010
46	Screw (Throttle Lever)	-----	-----	-----	-----	17103004	17103004	-----
47	Ball, Steel	-----	-----	-----	19290030	19290030	19290030	-----
48	E-Ring (Throttle Shaft)	19500030	19500030	19500030	19500030	19500040	19500040	19500030
49	E-Ring (Post)	19500040	19500040	19500040	19500040	19500040	19500040	-----
50	O-Ring (Plunger)	195502308	195702308	195702308	195503010	-----	-----	195703010
51	Screw, Retainer	17203012	17203012	17203012	17203012	-----	-----	-----
52	E-Ring (Choke Shaft)	-----	-----	-----	-----	-----	-----	19500025
53	Limiter, Mixture (H)	0061055	0061055	0061055	0061055	0061055	0061055	0061057
54	Limiter, Mixture (L)	-----	-----	-----	0061055	-----	-----	-----
55	Washer (Limiter)	-----	-----	-----	-----	-----	-----	-----
56	Retainer (Limiter)	-----	-----	-----	-----	-----	-----	-----
57	Spring, Choke	-----	-----	-----	-----	-----	-----	0013082
58	Lever, Choke Control	-----	-----	-----	-----	-----	-----	-----
59	Lever, Choke	-----	-----	-----	0042101	-----	-----	-----
60	Collar, Choke Shaft	-----	-----	-----	-----	-----	-----	-----
61	Screw, Choke Shaft	-----	-----	-----	-----	-----	-----	-----
62	Governor Ass'y	-----	-----	-----	-----	-----	-----	-----
63	Washer (Governor)	-----	-----	-----	-----	-----	-----	-----
64	Washer (Post)	0026013	0026013	0026013	0026013	0026013	0026013	-----
65	Remote Jet	0070042	0070085	0070083	0070039	0070077	0070077	0070085
66	Boot, Retainer	-----	-----	-----	-----	-----	-----	-----
67	O-Ring (Metering Cover)	-----	-----	-----	-----	-----	-----	-----
68	Body, Kit Pump	-----	-----	-----	K049003	-----	-----	-----
69	Spring, Pump	-----	-----	-----	0054056	-----	-----	-----
70	Retainer Spring	-----	-----	-----	0009068	-----	-----	-----
71	Diaphragm, Pump	-----	-----	-----	★● 0015091	-----	-----	-----
72	Gasket, Pump	-----	-----	-----	★● 0016083	-----	-----	-----
73	Plunger Ass'y, Starter	-----	-----	-----	-----	-----	-----	-----
74	Screw (Plunger Ass'y)	-----	-----	-----	-----	-----	-----	-----
75	Lever, Throttle	-----	-----	-----	-----	-----	-----	-----
76	Spring	-----	-----	-----	-----	-----	-----	-----

PARTS LIST

C1Q TYPE

REF	PART NAME	C1Q S85.A-C	C1Q S86.A-C	C1Q S87.A-C	C1Q S88	C1Q S89.A-C	C1Q S90.A-B	C1Q S91.A
	Venturi	13.5 mm	13.5 mm	13.5 mm	10 mm	13.5 mm	13.5 mm	13.5 mm
★	Rebuild Kit	RB-105	RB-105	RB-105	RB-114	RB-105	RB-105	RB-105
●	Gasket & Diaphragm Kit	GND-35	GND-35	GND-35	GND-55	GND-35	GND-35	GND-35
▲	Cover Kit, Pump	K017016	K017016	K017016	-----	K017016	K017016	K017016
■	Base Kit, Primer	-----	-----	-----	-----	-----	-----	-----
	Oil Pump Kit	-----	-----	-----	-----	-----	-----	-----
1	Strainer	★ 0004011	★ 0004011	★ 0004011	★ 0004004	★ 0004011	★ 0004011	★ 0004011
2	Strainer	0004002	0004002	0004002	0004005	0004002	0004002	0004002
3	Strainer	-----	-----	-----	-----	-----	-----	-----
4	Plug, Welch	★ 0005013	★ 0005013	★ 0005013	★ 0005013	★ 0005013	★ 0005013	★ 0005013
5	Plug, Welch	★ 0005009	★ 0005009	★ 0005009	-----	★ 0005009	★ 0005009	★ 0005009
6	Valve, Check	-----	-----	-----	-----	-----	-----	-----
7	Retainer, Check Valve	-----	-----	-----	-----	-----	-----	-----
8	Retainer, Syringe	-----	-----	-----	0009065	-----	-----	-----
9	Nozzle Ass'y, Check Valve	A007180	A007180	A007180	-----	A007180	A007180	A007180
10	Shaft Ass'y, Throttle	A011183	A011182	A011183	A011178	A011182	A011182	A011182
11	Lever, Throttle	-----	-----	-----	-----	-----	-----	-----
12	Spring, Throttle Return	0013016	0013016	0013016	0013080	0013016	0013016	0013016
13	Valve, Throttle	0014105	0014105	0014105	0014020	0014114	0014114	0014122
14	Diaphragm Ass'y, Metering	★● A015010	★● A015010	★● A015010	★● A015053	★● A015010	★● A015010	★● A015010
15	Diaphragm, Pump	★● 0015050	★● 0015050	★● 0015050	★● 0015051	★● 0015050	★● 0015050	★● 0015050
16	Diaphragm, Surge	-----	-----	-----	-----	-----	-----	-----
17	Gasket, Metering Chamber	★● 0016019	★● 0016019	★● 0016019	★● 0016086	★● 0016019	★● 0016019	★● 0016019
18	Gasket, Pump	★● 0016033	★● 0016033	★● 0016033	★● 0016084	★● 0016033	★● 0016033	★● 0016033
19	Cover, Pump	▲ 0017032	▲ 0017032	▲ 0017032	A017044	▲ 0017032	▲ 0017032	▲ 0017032
20	Valve, Inlet Needle	★ 0018004	★ 0018004	★ 0018004	★ 0018004	★ 0018004	★ 0018004	★ 0018004
21	Spring, Metering Lever	★ 0019015	★ 0019015	★ 0019015	★ 0019009	★ 0019015	★ 0019015	★ 0019015
22	Lever, Metering	★ 0020012	★ 0020012	★ 0020012	★ 0020012	★ 0020012	★ 0020012	★ 0020012
23	Pin	★ 0021001	★ 0021001	★ 0021001	★ 0021001	★ 0021001	★ 0021001	★ 0021001
24	Cover, Metering Chamber	0028015	0028015	0028015	-----	0028015	0028015	0028015
25	Spring, Adjust Screw	-----	-----	-----	-----	-----	-----	-----
26	Spring, Adjust Screw	-----	-----	-----	-----	-----	-----	-----
27	Screw, Main Mixture	0030240	0030240	0030240	0030185	0030240	0030193	0030240
28	Screw, Idle Mixture	0031179	0031179	0031179	0031191	0031209	0031209	0031209
29	Screw, Throttle Adjust	▲ 0035011	▲ 0035011	▲ 0035011	A035005	▲ 0035011	▲ 0035011	▲ 0035011
30	Piece, Friction	▲ 0036001	▲ 0036001	▲ 0036001	0036001	▲ 0036001	▲ 0036001	▲ 0036001
31	Spring, Friction	-----	-----	-----	0038001	-----	-----	-----
32	Shaft Ass'y, Choke	A041016	A041016	A041016	0041107	A041016	A041016	A041016
33	Valve, Choke	0043050	0043058	0043050	0043049	0043058	0043051	0043058
34	Post	-----	-----	-----	0045037	-----	-----	-----
35	Collar	-----	-----	-----	-----	-----	-----	-----
36	Plunger	-----	-----	-----	0053034	-----	-----	-----
37	Spring (Plunger Return)	0054057	0054057	0054057	0054057	0054057	0054057	0054057
38	Base Ass'y, Primer	-----	-----	-----	A056106	-----	-----	-----
39	Syringe	-----	-----	-----	0057004	-----	-----	-----
40	Screw (Pin)	14803006	14803006	14803006	14803006	14803006	14803006	14803006
41	Screw (Throttle Valve)	15603004	15603004	15603004	156030045	15603004	15603004	15603004
42	Screw (Choke Valve)	156030045	156030045	156030045	156030045	156030045	156030045	156030045
43	Screw (Post)	-----	-----	-----	-----	-----	-----	-----
44	Screw (Metering Cover)	17203006	17203006	17203006	-----	17203006	17203006	17203006
45	Screw (Pump Cover)	17004010	17004010	17004010	17104015	17004010	17004010	17004010
46	Screw (Throttle Lever)	-----	-----	-----	-----	-----	-----	-----
47	Ball, Steel	-----	-----	-----	19290030	-----	-----	-----
48	E-Ring (Throttle Shaft)	19500030	19500030	19500030	19500030	19500030	19500030	19500030
49	E-Ring (Post)	-----	-----	-----	19500040	-----	-----	-----
50	O-Ring (Plunger)	195703010	195703010	195703010	195503510	195703010	195703010	195703010
51	Screw, Retainer	-----	-----	-----	17203012	-----	-----	-----
52	E-Ring (Choke Shaft)	19500025	19500025	19500025	-----	19500025	19500025	19500025
53	Limiter, Mixture (H)	0061057	0061057	0061057	0061055	0061057	0061054	0061057
54	Limiter, Mixture (L)	-----	-----	-----	0061055	-----	-----	-----
55	Washer (Limiter)	-----	-----	-----	-----	-----	-----	-----
56	Retainer (Limiter)	-----	-----	-----	-----	-----	-----	-----
57	Spring, Choke	0013083	0013082	0013083	-----	0013082	0013082	0013082
58	Lever, Choke Control	-----	-----	-----	-----	-----	-----	-----
59	Lever, Choke	-----	-----	-----	0042101	-----	-----	-----
60	Collar, Choke Shaft	-----	-----	-----	-----	-----	-----	-----
61	Screw, Choke Shaft	-----	-----	-----	-----	-----	-----	-----
62	Governor Ass'y	-----	-----	-----	-----	-----	-----	-----
63	Washer (Governor)	-----	-----	-----	-----	-----	-----	-----
64	Washer (Post)	-----	-----	-----	0026013	-----	-----	-----
65	Remote Jet	0070085	0070087	0070087	0070072	0070087	0070082	0070085
66	Boot, Retainer	-----	-----	-----	-----	-----	-----	-----
67	O-Ring (Metering Cover)	-----	-----	-----	-----	-----	-----	-----
68	Body, Kit Pump	-----	-----	-----	K049005	-----	-----	-----
69	Spring, Pump	-----	-----	-----	0054056	-----	-----	-----
70	Retainer Spring	-----	-----	-----	0009068	-----	-----	-----
71	Diaphragm, Pump	-----	-----	-----	★● 0015091	-----	-----	-----
72	Gasket, Pump	-----	-----	-----	★● 0016083	-----	-----	-----
73	Plunger Ass'y, Starter	-----	-----	-----	-----	-----	-----	-----
74	Screw (Plunger Ass'y)	-----	-----	-----	-----	-----	-----	-----
75	Lever, Throttle	-----	-----	-----	-----	-----	-----	-----
76	Spring	-----	-----	-----	-----	-----	-----	-----

PARTS LIST

C1Q TYPE

REF	PART NAME	C1Q S92.A	C1Q S93	C1Q S94	C1Q S95	C1Q S96.A-B	C1Q S97.A	C1Q S98
	Venturi	13.5 mm	11 mm	13.5mm	11 mm	12.5mm	11 mm	13.5 mm
★	Rebuild Kit	RB-105	RB-100	RB-84	RB-100	RB-69	RB-100	RB-132
●	Gasket & Diaphragm Kit	GND-35	GND-56	GND-50	GND-56	GND-39	GND-56	GND-72
▲	Cover Kit, Pump	K017016	K017078	K017087	K017069	K017016	K017078	-----
■	Base Kit, Primer	-----	-----	-----	-----	-----	-----	-----
	Oil Pump Kit	-----	-----	-----	-----	-----	-----	-----
1	Strainer	★ 0004011	★ 0004011	★ 0004011	★ 0004011	★ 0004011	★ 0004011	★ 0004004
2	Strainer	0004002	0004005	-----	0004005	0004002	0004005	-----
3	Strainer	-----	0004004	-----	-----	-----	-----	-----
4	Plug, Welch	★ 0005013	★ 0005013	★ 0005013	★ 0005013	★ 0005013	★ 0005013	★ 0005013
5	Plug, Welch	★ 0005009	-----	-----	-----	★ 0005013	-----	-----
6	Valve, Check	-----	-----	-----	-----	-----	-----	-----
7	Retainer, Check Valve	-----	-----	-----	-----	-----	-----	-----
8	Retainer, Syringe	-----	0009065	-----	0009065	-----	0009065	0009065
9	Nozzle Ass'y, Check Valve	A007180	-----	-----	-----	A007227	-----	-----
10	Shaft Ass'y, Throttle	A011182	A011220	A011160	A011170	A011249	A011211	A011215
11	Lever, Throttle	-----	-----	0012103	-----	-----	-----	-----
12	Spring, Throttle Return	0013016	0013080	0013016	0013016	0013016	0013016	0013080
13	Valve, Throttle	0014122	0014095	0014112	0014096	0014091	0014095	0014040
14	Diaphragm Ass'y, Metering	★● A015010	★● A015053	★● A015042	★● A015053	★● A015011	★● A015045	★● A015053
15	Diaphragm, Pump	★● 0015050	★● 0015050	★● 0015050	★● 0015050	★● 0015050	★● 0015050	★● 0015051
16	Diaphragm, Surge	-----	-----	-----	-----	-----	-----	-----
17	Gasket, Metering Chamber	★● 0016019	★● 0016085	★● 0016077	★● 0016085	★● 0016021	★● 0016085	★● 0016085
18	Gasket, Pump	★● 0016033	★● 0016033	★● 0016033	★● 0016033	★● 0016033	★● 0016033	★● 0016084
19	Cover, Pump	▲ 0017032	▲ 0017032	▲	▲ 0017032	▲ 0017032	▲ 0017032	A017044
20	Valve, Inlet Needle	★ 0018004	★ 0018004	★ 0018004	★ 0018004	★ 0018004	★ 0018004	★ 0018004
21	Spring, Metering Lever	★ 0019015	★ 0019002	★ 0019002	★ 0019002	★ 0019012	★ 0019002	★ 0019009
22	Lever, Metering	★ 0020012	★ 0020012	★ 0020012	★ 0020012	★ 0020012	★ 0020012	★ 0020012
23	Pin	★ 0021001	★ 0021001	★ 0021001	★ 0021001	★ 0021001	★ 0021001	★ 0021001
24	Cover, Metering Chamber	0028015	-----	A028024	-----	0028026	-----	-----
25	Spring, Adjust Screw	-----	-----	-----	-----	-----	-----	-----
26	Spring, Adjust Screw	-----	-----	-----	-----	-----	-----	-----
27	Screw, Main Mixture	0030193	0030185	0030200	0030185	0030177	0030185	0030227
28	Screw, Idle Mixture	0031209	A031002	A031017	A031002	0031179	A031018	0031222
29	Screw, Throttle Adjust	▲ 0035011	▲ A035004	▲	▲ A035001	▲ 0035011	▲ A035004	A035005
30	Piece, Friction	▲ 0036001	▲ 0036001	▲	▲ 0036001	▲ 0036001	▲ 0036001	-----
31	Spring, Friction	-----	-----	0038001	-----	-----	-----	0038001
32	Shaft Ass'y, Choke	A041016	-----	0041087	-----	A041049	-----	0041128
33	Valve, Choke	0043058	-----	0043049	-----	0043027	-----	0043049
34	Post	-----	0045036	0045037	0045036	-----	0045036	0045037
35	Collar	-----	-----	-----	-----	-----	-----	-----
36	Plunger	-----	0053033	-----	0053004	0053053	0053030	0053039
37	Spring (Plunger Return)	0054057	0054057	-----	0054055	0054057	0054057	0054065
38	Base Ass'y, Primer	-----	A056103	-----	A056081	-----	A056081	A056106
39	Syringe	-----	0057004	-----	0057004	-----	0057004	0057004
40	Screw (Pin)	14803006	14803006	14803006	14803006	14803006	14803006	14803006
41	Screw (Throttle Valve)	15603004	156030045	156030045	156030045	15603004	156030045	156030045
42	Screw (Choke Valve)	156030045	-----	156030045	-----	156030045	-----	156030045
43	Screw (Post)	-----	-----	-----	-----	-----	-----	-----
44	Screw (Metering Cover)	17203006	-----	17103007	-----	17103007	-----	-----
45	Screw (Pump Cover)	17004010	17004010	17004010	17004010	17004010	17004010	17104015
46	Screw (Throttle Lever)	-----	-----	17103004	-----	-----	-----	-----
47	Ball, Steel	-----	-----	19290030	-----	-----	-----	19290030
48	E-Ring (Throttle Shaft)	19500030	19500030	19500040	19500030	19500030	19500030	19500030
49	E-Ring (Post)	-----	19500040	19500040	19500040	-----	19500040	19500040
50	O-Ring (Plunger)	195703010	195503010	-----	195502308	195703010	195503010	195503010
51	Screw, Retainer	-----	17203015	-----	17203012	-----	17203012	17203012
52	E-Ring (Choke Shaft)	19500025	-----	-----	-----	19500025	-----	-----
53	Limit, Mixture (H)	0061054	0061055	0061055	0061055	0061054	0061055	0061055
54	Limit, Mixture (L)	-----	-----	-----	-----	-----	-----	0061055
55	Washer (Limit)	-----	-----	-----	-----	-----	-----	-----
56	Retainer (Limit)	-----	-----	-----	-----	-----	-----	-----
57	Spring, Choke	0013082	-----	-----	-----	0013083	-----	-----
58	Lever, Choke Control	-----	-----	-----	-----	-----	-----	-----
59	Lever, Choke	-----	-----	-----	-----	-----	-----	0042091
60	Collar, Choke Shaft	-----	-----	-----	-----	-----	-----	-----
61	Screw, Choke Shaft	-----	-----	-----	-----	-----	-----	-----
62	Governor Ass'y	-----	-----	-----	-----	-----	-----	-----
63	Washer (Governor)	-----	-----	-----	-----	-----	-----	-----
64	Washer (Post)	-----	0026013	0026013	0026013	-----	0026013	0026013
65	Remote Jet	0070080	0070076	0070079	0070076	-----	0070076	-----
66	Boot, Retainer	-----	-----	-----	-----	-----	-----	-----
67	O-Ring (Metering Cover)	-----	-----	-----	-----	-----	-----	-----
68	Body, Kit Pump	-----	-----	-----	-----	-----	-----	K049005
69	Spring, Pump	-----	-----	-----	-----	-----	-----	0054056
70	Retainer Spring	-----	-----	-----	-----	-----	-----	0009068
71	Diaphragm, Pump	-----	-----	-----	-----	-----	-----	★● 0015091
72	Gasket, Pump	-----	-----	-----	-----	-----	-----	★● 0016083
73	Plunger Ass'y, Starter	-----	-----	-----	-----	-----	-----	-----
74	Screw (Plunger Ass'y)	-----	-----	-----	-----	-----	-----	-----
75	Lever, Throttle	-----	-----	-----	-----	-----	-----	-----
76	Spring	-----	-----	-----	-----	-----	-----	-----

PARTS LIST

C1Q TYPE

REF	PART NAME	C1Q S98A-B	C1Q S99	C1Q S99A	C1Q S100	C1Q S100A	C1Q S101	C1Q S101A
	Venturi	13.5 mm	13.5 mm	13.5 mm	13.5 mm	13.5 mm	13.5 mm	13.5 mm
★	Rebuild Kit	RB-162	RB-134	RB-166	RB-134	RB-166	RB-134	RB-166
●	Gasket & Diaphragm Kit	★ GND-93	★ GND-72	★ GND-93	★ GND-72	★ GND-93	★ GND-72	★ GND-93
▲	Cover Kit, Pump	-----	-----	-----	-----	-----	-----	-----
■	Base Kit, Primer	-----	-----	-----	-----	-----	-----	-----
	Oil Pump Kit	-----	-----	-----	-----	-----	-----	-----
1	Strainer	★ 0004004	★ 0004004	★ 0004004	★ 0004004	★ 0004004	★ 0004004	★ 0004004
2	Strainer	-----	-----	-----	-----	-----	-----	-----
3	Strainer	-----	-----	-----	-----	-----	-----	-----
4	Plug, Welch	★ 0005013	★ 0005013	★ 0005013	★ 0005013	★ 0005013	★ 0005013	★ 0005013
5	Plug, Welch	-----	-----	-----	-----	-----	-----	-----
6	Valve, Check	-----	-----	-----	-----	-----	-----	-----
7	Retainer, Check Valve	-----	-----	-----	-----	-----	-----	-----
8	Retainer, Syringe	0009065	-----	-----	-----	-----	-----	-----
9	Nozzle Ass'y, Check Valve	-----	-----	-----	-----	-----	-----	-----
10	Shaft Ass'y, Throttle	A011215	A011225	A011225	A011225	A011225	A011225	A011225
11	Lever, Throttle	-----	0012200	0012200	0012200	0012200	0012200	0012200
12	Spring, Throttle Return	0013080	0013080	0013142	0013080	0013142	0013080	0013142
13	Valve, Throttle	0014040	0014116	0014116	0014116	0014116	0014116	0014116
14	Diaphragm Ass'y, Metering	★● A015052	★● A015053	★● A015052	★● A015053	★● A015052	★● A015053	★● A015052
15	Diaphragm, Pump	★● 0015051	★● 0015051	★● 0015051	★● 0015051	★● 0015051	★● 0015051	★● 0015051
16	Diaphragm, Surge	-----	-----	-----	-----	-----	-----	-----
17	Gasket, Metering Chamber	★● 0016085	★● 0016085	★● 0016085	★● 0016085	★● 0016085	★● 0016085	★● 0016085
18	Gasket, Pump	★● 0016084	★● 0016084	★● 0016084	★● 0016084	★● 0016084	★● 0016084	★● 0016084
19	Cover, Pump	A017044	A017044	A017044	A017044	A017044	A017044	A017044
20	Valve, Inlet Needle	★ 0018004	★ 0018004	★ 0018004	★ 0018004	★ 0018004	★ 0018004	★ 0018004
21	Spring, Metering Lever	★ 0019009	★ 0019002	★ 0019002	★ 0019002	★ 0019002	★ 0019002	★ 0019002
22	Lever, Metering	★ 0020012	★ 0020012	★ 0020012	★ 0020012	★ 0020012	★ 0020012	★ 0020012
23	Pin	★ 0021001	★ 0021001	★ 0021001	★ 0021001	★ 0021001	★ 0021001	★ 0021001
24	Cover, Metering Chamber	-----	A028027	A028027	A028027	A028027	A028027	A028027
25	Spring, Adjust Screw	-----	-----	-----	-----	-----	-----	-----
26	Spring, Adjust Screw	-----	-----	-----	-----	-----	-----	-----
27	Screw, Main Mixture	0030227	0030230	0030230	0030231	0030231	0030232	0030232
28	Screw, Idle Mixture	0031222	0031231	0031231	0031231	0031231	0031231	0031231
29	Screw, Throttle Adjust	A035005	A035005	A035005	A035005	A035005	A035005	A035005
30	Piece, Friction	-----	0036001	0036001	0036001	0036001	0036001	0036001
31	Spring, Friction	0038001	-----	-----	-----	-----	-----	-----
32	Shaft Ass'y, Choke	0041128	A041112	A041112	A041112	A041112	A041112	A041112
33	Valve, Choke	0043049	0043060	0043060	0043060	0043060	0043060	0043060
34	Post	0045037	0045037	0045037	0045037	0045037	0045037	0045037
35	Collar	-----	0052009	0052021	0052009	0052021	0052009	0052021
36	Plunger	0053039	0053041	0053065	0053042	0053042	0053042	0053059
37	Spring (Plunger Return)	0054065	0054065	0054057	0054065	0054065	0054065	0054057
38	Base Ass'y, Primer	A056106	-----	-----	-----	-----	-----	-----
39	Syringe	0057004	-----	-----	-----	-----	-----	-----
40	Screw (Pin)	14803006	14803006	14803006	14803006	14803006	14803006	14803006
41	Screw (Throttle Valve)	156030045	156030045	156030045	156030045	156030045	156030045	156030045
42	Screw (Choke Valve)	156030045	156030045	156030045	156030045	156030045	156030045	156030045
43	Screw (Post)	-----	-----	-----	-----	-----	-----	-----
44	Screw (Metering Cover)	-----	17103007	17103007	17103007	17103007	17103007	17103007
45	Screw (Pump Cover)	17104015	17104015	17104015	17104015	17104015	17104015	17104015
46	Screw (Throttle Lever)	-----	17103004	17103004	17103004	17103004	17103004	17103004
47	Ball, Steel	19290030	-----	-----	-----	-----	-----	-----
48	E-Ring (Throttle Shaft)	19500030	-----	-----	-----	-----	-----	-----
49	E-Ring (Post)	19500040	19500040	19500040	19500040	19500040	19500040	19500040
50	O-Ring (Plunger)	195503010	195503510	195703510	195503010	195503010	195503010	195703010
51	Screw, Retainer	17203012	-----	-----	-----	-----	-----	-----
52	E-Ring (Choke Shaft)	-----	19510040	19510040	19510040	19510040	19510040	19510040
53	Limiters, Mixture (H)	0061055	0061055	0061055	0061055	0061055	0061055	0061055
54	Limiters, Mixture (L)	0061055	0061055	0061055	0061055	0061055	0061055	0061055
55	Washer (Limiters)	-----	-----	-----	-----	-----	-----	-----
56	Retainer (Limiters)	-----	-----	-----	-----	-----	-----	-----
57	Spring, Choke	-----	0013103	0013141	0013103	0013141	0013103	0013141
58	Lever, Choke Control	-----	-----	-----	-----	-----	-----	-----
59	Lever, Choke	0042091	0042117	0042117	0042117	0042117	0042117	0042117
60	Collar, Choke Shaft	-----	-----	-----	-----	-----	-----	-----
61	Screw, Choke Shaft	-----	-----	-----	-----	-----	-----	-----
62	Governor Ass'y	-----	-----	-----	-----	-----	-----	-----
63	Washer (Governor)	-----	-----	-----	-----	-----	-----	-----
64	Washer (Post)	0026013	0026013	0026013	0026013	0026013	0026013	0026013
65	Remote Jet	-----	-----	-----	-----	-----	-----	-----
66	Boot, Retainer	-----	-----	-----	-----	-----	-----	-----
67	O-Ring (Metering Cover)	-----	-----	-----	-----	-----	-----	-----
68	Body, Kit Pump	K049007	K049005	K049007	K049005	K049007	K049005	K049007
69	Spring, Pump	0054056	0054056	0054056	0054056	0054056	0054056	0054056
70	Retainer Spring	0009068	0009068	0009068	0009068	0009068	0009068	0009068
71	Diaphragm, Pump	★● 0015091	★● 0015091	★● 0015091	★● 0015091	★● 0015091	★● 0015091	★● 0015091
72	Gasket, Pump	★● 0016083	★● 0016083	★● 0016083	★● 0016083	★● 0016083	★● 0016083	★● 0016083
73	Plunger Ass'y, Starter	-----	-----	-----	-----	-----	-----	-----
74	Screw (Plunger Ass'y)	-----	-----	-----	-----	-----	-----	-----
75	Lever, Throttle	-----	-----	-----	-----	-----	-----	-----
76	Spring	-----	-----	-----	-----	-----	-----	-----

PARTS LIST

C1Q TYPE

REF	PART NAME	C1Q S102.A	C1Q S103	C1Q S104	C1Q S105	C1Q S106.A	C1Q S107.A	C1Q S108.A
	Venturi	13.5 mm	11 mm	11 mm	10 mm	13.5 mm	13.5 mm	12.5mm
★	Rebuild Kit	RB-105	RB-69	RB-69	RB-99	RB-105	RB-105	RB-69
●	Gasket & Diaphragm Kit	★ GND-35	★ GND-39	★ GND-39	★ GND-56	★ GND-35	★ GND-35	★ GND-39
▲	Cover Kit, Pump	K017016	K017083	K017083	K017078	K017016	K017016	K017016
■	Base Kit, Primer	-----	-----	-----	-----	-----	-----	-----
	Oil Pump Kit	-----	-----	-----	-----	-----	-----	-----
1	Strainer	★ 0004011	★ 0004011	★ 0004011	★ 0004011	★ 0004011	★ 0004011	★ 0004011
2	Strainer	0004002	-----	-----	-----	0004002	0004002	0004002
3	Strainer	-----	-----	-----	-----	-----	-----	-----
4	Plug, Welch	★ 0005013	★ 0005013	★ 0005013	★ 0005013	★ 0005013	★ 0005013	★ 0005013
5	Plug, Welch	★ 0005009	-----	-----	-----	★ 0005009	★ 0005009	★ 0005013
6	Valve, Check	-----	-----	-----	-----	-----	-----	-----
7	Retainer, Check Valve	-----	-----	-----	-----	-----	-----	-----
8	Retainer, Syringe	-----	-----	-----	0009065	-----	-----	-----
9	Nozzle Ass'y, Check Valve	A007180	A007230	A007230	-----	A007180	A007180	A007228
10	Shaft Ass'y, Throttle	A011182	A011226	A011226	A011232	A011182	A011182	A011249
11	Lever, Throttle	-----	-----	-----	-----	-----	-----	-----
12	Spring, Throttle Return	0013016	0013016	0013016	0013016	0013016	0013016	0013016
13	Valve, Throttle	0014114	0014115	0014126	0014128	0014114	0014122	0014129
14	Diaphragm Ass'y, Metering	★● A015010	★● A015011	★● A015011	★● A015053	★● A015010	★● A015010	★● A015011
15	Diaphragm, Pump	★● 0015050	★● 0015050	★● 0015050	★● 0015050	★● 0015050	★● 0015050	★● 0015050
16	Diaphragm, Surge	-----	-----	-----	-----	-----	-----	-----
17	Gasket, Metering Chamber	★● 0016019	★● 0016021	★● 0016021	★● 0016085	★● 0016019	★● 0016019	★● 0016021
18	Gasket, Pump	★● 0016033	★● 0016033	★● 0016033	★● 0016033	★● 0016033	★● 0016033	★● 0016033
19	Cover, Pump	▲ 0017032	▲ 0017088	▲ 0017088	▲ 0017032	▲ 0017032	▲ 0017032	▲ 0017032
20	Valve, Inlet Needle	★ 0018004	★ 0018004	★ 0018004	★ 0018004	★ 0018004	★ 0018004	★ 0018004
21	Spring, Metering Lever	★ 0019015	★ 0019012	★ 0019012	★ 0019009	★ 0019015	★ 0019015	★ 0019012
22	Lever, Metering	★ 0020012	★ 0020012	★ 0020012	★ 0020012	★ 0020012	★ 0020012	★ 0020012
23	Pin	★ 0021001	★ 0021001	★ 0021001	★ 0021001	★ 0021001	★ 0021001	★ 0021001
24	Cover, Metering Chamber	0028015	0028036	0028036	-----	0028015	0028015	0028026
25	Spring, Adjust Screw	-----	-----	-----	-----	-----	-----	-----
26	Spring, Adjust Screw	-----	-----	-----	-----	-----	-----	-----
27	Screw, Main Mixture	0030240	0030233	0030233	0030185	0030240	0030240	0030177
28	Screw, Idle Mixture	0031209	A031020	A031008	A031007	0031239	0031240	0031179
29	Screw, Throttle Adjust	▲ 0035011	▲ A035001	▲ A035001	▲ A035004	▲ 0035011	▲ 0035011	▲ 0035011
30	Piece, Friction	▲ 0036001	▲ 0036001	▲ 0036001	▲ 0036001	▲ 0036001	▲ 0036001	▲ 0036001
31	Spring, Friction	-----	0038001	0038001	0038001	-----	-----	-----
32	Shaft Ass'y, Choke	A041016	0041134	0041134	0041140	A041016	A041016	A041049
33	Valve, Choke	0043058	0043027	0043027	0043049	0043058	0043058	0043027
34	Post	-----	-----	-----	0045037	-----	-----	-----
35	Collar	-----	-----	-----	-----	-----	-----	-----
36	Plunger	-----	0053005	0053005	-----	-----	-----	0053053
37	Spring (Plunger Return)	0054057	0054025	0054025	-----	0054057	0054057	0054057
38	Base Ass'y, Primer	-----	-----	-----	A056113	-----	-----	-----
39	Syringe	-----	-----	-----	0057004	-----	-----	-----
40	Screw (Pin)	14803006	14803006	14803006	14803006	14803006	14803006	14803006
41	Screw (Throttle Valve)	15603004	156030045	156030045	156030045	15603004	15603004	15603004
42	Screw (Choke Valve)	156030045	156030045	156030045	-----	156030045	156030045	156030045
43	Screw (Post)	-----	-----	-----	-----	-----	-----	-----
44	Screw (Metering Cover)	17203006	17103007	17103007	-----	17203006	17203006	17103007
45	Screw (Pump Cover)	17004010	17104010	17004010	17004010	17004010	17004010	17004010
46	Screw (Throttle Lever)	-----	-----	-----	-----	-----	-----	-----
47	Ball, Steel	-----	19290030	19290030	19290030	-----	-----	-----
48	E-Ring (Throttle Shaft)	19500030	-----	-----	19500030	19500030	19500030	19500030
49	E-Ring (Post)	-----	19500030	19500030	-----	-----	-----	-----
50	O-Ring (Plunger)	195703010	195503010	195503010	-----	195703010	195703010	195703010
51	Screw, Retainer	-----	-----	-----	17203012	-----	-----	-----
52	E-Ring (Choke Shaft)	19500025	-----	-----	19500040	19500025	19500025	19500025
53	Limit, Mixture (H)	0061054	0061055	0061055	0061055	0061057	0061057	0061054
54	Limit, Mixture (L)	-----	0061055	0061055	-----	-----	-----	-----
55	Washer (Limit)	-----	-----	-----	-----	-----	-----	-----
56	Retainer (Limit)	-----	-----	-----	-----	-----	-----	-----
57	Spring, Choke	0013082	-----	-----	-----	0013082	0013082	0013083
58	Lever, Choke Control	-----	-----	-----	-----	-----	-----	-----
59	Lever, Choke	-----	-----	-----	0042135	-----	-----	-----
60	Collar, Choke Shaft	-----	-----	-----	-----	-----	-----	-----
61	Screw, Choke Shaft	-----	-----	-----	-----	-----	-----	-----
62	Governor Ass'y	-----	-----	-----	-----	-----	-----	-----
63	Washer (Governor)	-----	-----	-----	-----	-----	-----	-----
64	Washer (Post)	-----	-----	-----	0026013	-----	-----	-----
65	Remote Jet	0070082	0070076	0070076	0070075	0070087	0070085	-----
66	Boot, Retainer	-----	-----	-----	-----	-----	-----	-----
67	O-Ring (Metering Cover)	-----	195507015	195507015	-----	-----	-----	-----
68	Body, Kit Pump	-----	-----	-----	-----	-----	-----	-----
69	Spring, Pump	-----	-----	-----	-----	-----	-----	-----
70	Retainer Spring	-----	-----	-----	-----	-----	-----	-----
71	Diaphragm, Pump	-----	-----	-----	-----	-----	-----	-----
72	Gasket, Pump	-----	-----	-----	-----	-----	-----	-----
73	Plunger Ass'y, Starter	-----	-----	-----	-----	-----	-----	-----
74	Screw (Plunger Ass'y)	-----	-----	-----	-----	-----	-----	-----
75	Lever, Throttle	-----	-----	-----	-----	-----	-----	-----
76	Spring	-----	-----	-----	-----	-----	-----	-----

PARTS LIST

C1Q TYPE

REF	PART NAME	C1Q S109.A	C1Q S110.A-C	C1Q S111	C1Q S112.A	C1Q S113	C1Q S114	C1Q S115.A-B
	Venturi	12.5mm	10 mm	10 mm	8 mm	13.5mm	13.5 mm	10 mm
★	Rebuild Kit	RB-69	RB-160	RB-99	RB-148	RB-147	RB-132	RB-99
●	Gasket & Diaphragm Kit	GND-39	GND-91	GND-56	GND-56	GND-50	GND-72	GND-56
▲	Cover Kit, Pump	K017016	-----	K017078	K017069	-----	-----	K017078
■	Base Kit, Primer	-----	-----	-----	-----	-----	-----	-----
	Oil Pump Kit	-----	-----	-----	-----	-----	-----	-----
1	Strainer	★ 0004011	★ 0004004	★ 0004011	★ 0004011	★ 0004011	★ 0004004	★ 0004011
2	Strainer	0004002	-----	-----	-----	-----	-----	-----
3	Strainer	-----	-----	-----	-----	-----	-----	-----
4	Plug, Welch	★ 0005013	★ 0005013	★ 0005013	★ 0005013	★ 0005013	★ 0005013	★ 0005013
5	Plug, Welch	★ 0005013	-----	-----	-----	-----	-----	-----
6	Valve, Check	-----	-----	-----	-----	-----	-----	-----
7	Retainer, Check Valve	-----	-----	-----	-----	-----	-----	-----
8	Retainer, Syringe	-----	0009065	0009065	0009065	-----	0009065	0009065
9	Nozzle Ass'y, Check Valve	A007227	-----	-----	-----	-----	-----	-----
10	Shaft Ass'y, Throttle	A011249	A011236	A011232	A011248	A011160	A011215	A011232
11	Lever, Throttle	-----	-----	-----	0012157	0012103	-----	-----
12	Spring, Throttle Return	0013016	0013080	0013016	0013072	0013016	0013080	0013016
13	Valve, Throttle	0014129	0014020	0014128	0014082	0014112	0014040	0014128
14	Diaphragm Ass'y, Metering	★● A015011	★● A015046	★● A015053	★● A015053	★● A015042	★● A015053	★● A015053
15	Diaphragm, Pump	★● 0015050	★● 0015051	★● 0015050	★● 0015050	★● 0015050	★● 0015051	★● 0015050
16	Diaphragm, Surge	-----	-----	-----	-----	-----	-----	-----
17	Gasket, Metering Chamber	★● 0016021	★● 0016086	★● 0016085	★● 0016085	★● 0016077	★● 0016085	★● 0016085
18	Gasket, Pump	★● 0016033	★● 0016084	★● 0016033	★● 0016033	★● 0016033	★● 0016084	★● 0016033
19	Cover, Pump	▲ 0017032	A017044	▲ 0017032	▲ 0017032	0017096	A017044	▲ 0017032
20	Valve, Inlet Needle	★ 0018004	★ 0018004	★ 0018004	★ 0018004	★ 0018004	★ 0018004	★ 0018004
21	Spring, Metering Lever	★ 0019012	★ 0019002	★ 0019009	★ 0019012	★ 0019036	★ 0019009	★ 0019009
22	Lever, Metering	★ 0020012	★ 0020012	★ 0020012	★ 0020012	★ 0020012	★ 0020012	★ 0020012
23	Pin	★ 0021001	★ 0021001	★ 0021001	★ 0021001	★ 0021001	★ 0021001	★ 0021001
24	Cover, Metering Chamber	0028026	-----	-----	-----	A028024	-----	-----
25	Spring, Adjust Screw	-----	-----	-----	-----	-----	-----	-----
26	Spring, Adjust Screw	-----	-----	-----	-----	-----	-----	-----
27	Screw, Main Mixture	0030177	0030242	0030185	0030245	0030200	0030227	0030185
28	Screw, Idle Mixture	0031179	0031242	A031007	A031007	A031017	0031222	A031007
29	Screw, Throttle Adjust	▲ 0035011	A035004	▲ 0035004	▲ 0035001	A035005	A035005	▲ 0035004
30	Piece, Friction	▲ 0036001	-----	▲ 0036001	▲ 0036001	0036001	-----	▲ 0036001
31	Spring, Friction	-----	0038001	0038001	-----	0038001	0038001	0038001
32	Shaft Ass'y, Choke	A041049	0041141	0041140	-----	0041087	0041128	0041140
33	Valve, Choke	0043027	0043049	0043049	-----	0043049	0043049	0043049
34	Post	-----	0045037	0045037	-----	0045037	0045037	0045037
35	Collar	-----	-----	-----	0052019	-----	-----	-----
36	Plunger	0053053	0053049	-----	0053059	-----	0053039	-----
37	Spring (Plunger Return)	0054057	0054057	-----	0054057	-----	0054065	-----
38	Base Ass'y, Primer	-----	A056116	A056113	A056134	-----	A056106	A056131
39	Syringe	-----	0057004	0057004	0057004	-----	0057004	0057004
40	Screw (Pin)	14803006	14803006	14803006	14803006	14803006	14803006	14803006
41	Screw (Throttle Valve)	15603004	-----	156030045	156030045	156030045	156030045	156030045
42	Screw (Choke Valve)	156030045	156030045	-----	-----	156030045	156030045	-----
43	Screw (Post)	-----	-----	-----	-----	-----	-----	-----
44	Screw (Metering Cover)	17103007	-----	-----	-----	17103007	-----	-----
45	Screw (Pump Cover)	17004010	17104015	17004010	17004010	17004010	17104015	17004010
46	Screw (Throttle Lever)	-----	-----	-----	17103004	17103004	-----	-----
47	Ball, Steel	-----	19290030	19290030	-----	19290030	19290030	19290030
48	E-Ring (Throttle Shaft)	19500030	19500030	19500030	-----	19500040	19500030	19500030
49	E-Ring (Post)	-----	19500040	-----	-----	19500040	19500040	-----
50	O-Ring (Plunger)	195703010	195503510	-----	195703010	-----	195503010	-----
51	Screw, Retainer	-----	17203012	17203012	17203012	-----	17203012	17203012
52	E-Ring (Choke Shaft)	19500025	-----	19500040	-----	-----	-----	19500040
53	Limiter, Mixture (H)	0061054	0061055	0061055	0061055	0061055	0061055	0061055
54	Limiter, Mixture (L)	-----	0061055	-----	-----	-----	0061055	-----
55	Washer (Limiter)	-----	-----	-----	-----	-----	-----	-----
56	Retainer (Limiter)	-----	-----	-----	-----	-----	-----	-----
57	Spring, Choke	0013083	-----	-----	-----	-----	-----	-----
58	Lever, Choke Control	-----	-----	-----	-----	-----	-----	-----
59	Lever, Choke	-----	0042101	0042135	-----	-----	0042091	0042135
60	Collar, Choke Shaft	-----	-----	-----	-----	-----	-----	-----
61	Screw, Choke Shaft	-----	-----	-----	-----	-----	-----	-----
62	Governor Ass'y	-----	-----	-----	-----	-----	-----	-----
63	Washer (Governor)	-----	-----	-----	-----	-----	-----	-----
64	Washer (Post)	-----	0026013	0026013	-----	0026013	0026013	0026013
65	Remote Jet	-----	-----	0070077	-----	0070079	-----	0070075
66	Boot, Retainer	-----	-----	-----	-----	-----	-----	-----
67	O-Ring (Metering Cover)	-----	-----	-----	-----	-----	-----	-----
68	Body, Kit Pump	-----	K049008	-----	-----	-----	K049007	-----
69	Spring, Pump	-----	0054056	-----	-----	-----	0054056	-----
70	Retainer Spring	-----	0009068	-----	-----	-----	0009068	-----
71	Diaphragm, Pump	-----	★● 0015091	-----	-----	-----	★● 0015091	-----
72	Gasket, Pump	-----	★● 0016083	-----	-----	-----	★● 0016083	-----
73	Plunger Ass'y, Starter	-----	-----	-----	-----	-----	-----	-----
74	Screw (Plunger Ass'y)	-----	-----	-----	-----	-----	-----	-----
75	Lever, Throttle	-----	-----	-----	-----	-----	-----	-----
76	Spring	-----	-----	-----	-----	-----	-----	-----

PARTS LIST

C1Q TYPE

REF	PART NAME	C1Q S116.A	C1Q S117	C1Q S124.A	C1Q S125	C1Q S126.A	C1Q S127.A	C1Q S128.A
	Venturi	10 mm	13.5mm	11 mm	11 mm	12.5mm	12.5mm	12.5mm
★	Rebuild Kit	RB-99	RB-152	RB-69	RB-69	RB-69	RB-69	RB-69
●	Gasket & Diaphragm Kit	★ GND-56	★ GND-50	★ GND-39	★ GND-39	★ GND-39	★ GND-39	★ GND-39
▲	Cover Kit, Pump	K017078	-----	-----	K017083	K017016	K017016	K017016
■	Base Kit, Primer	-----	-----	-----	-----	-----	-----	-----
	Oil Pump Kit	-----	-----	-----	-----	-----	-----	-----
1	Strainer	★ 0004011	★ 0004011	★ 0004011	★ 0004011	★ 0004011	★ 0004011	★ 0004011
2	Strainer	-----	-----	-----	-----	0004002	0004002	0004002
3	Strainer	-----	-----	-----	-----	-----	-----	-----
4	Plug, Welch	★ 0005013	★ 0005013	★ 0005013	★ 0005013	★ 0005013	★ 0005013	★ 0005013
5	Plug, Welch	-----	-----	-----	-----	★ 0005013	★ 0005013	★ 0005013
6	Valve, Check	-----	-----	-----	-----	-----	-----	-----
7	Retainer, Check Valve	-----	-----	-----	-----	-----	-----	-----
8	Retainer, Syringe	0009065	-----	-----	-----	-----	-----	-----
9	Nozzle Ass'y, Check Valve	-----	-----	A007230	A007230	A007228	A007227	A007228
10	Shaft Ass'y, Throttle	A011232	A011160	A011252	A011260	A011249	A011249	A011249
11	Lever, Throttle	-----	0012103	-----	-----	-----	-----	-----
12	Spring, Throttle Return	0013016	0013016	0013016	0013016	0013016	0013016	0013016
13	Valve, Throttle	0014128	0014135	0014132	0014115	0014091	0014091	0014129
14	Diaphragm Ass'y, Metering	★● A015053	★● A015042	★● A015011	★● A015011	★● A015011	★● A015011	★● A015011
15	Diaphragm, Pump	★● 0015050	★● 0015050	★● 0015050	★● 0015050	★● 0015050	★● 0015050	★● 0015050
16	Diaphragm, Surge	-----	-----	-----	-----	-----	-----	-----
17	Gasket, Metering Chamber	★● 0016085	★● 0016077	★● 0016021	★● 0016021	★● 0016021	★● 0016021	★● 0016021
18	Gasket, Pump	★● 0016033	★● 0016033	★● 0016033	★● 0016033	★● 0016033	★● 0016033	★● 0016033
19	Cover, Pump	▲ 0017032	0017096	0017088	▲ 0017088	▲ 0017032	▲ 0017032	▲ 0017032
20	Valve, Inlet Needle	★ 0018004	★ 0018004	★ 0018004	★ 0018004	★ 0018004	★ 0018004	★ 0018004
21	Spring, Metering Lever	★ 0019009	★ 0019012	★ 0019012	★ 0019012	★ 0019012	★ 0019012	★ 0019012
22	Lever, Metering	★ 0020012	★ 0020012	★ 0020012	★ 0020012	★ 0020012	★ 0020012	★ 0020012
23	Pin	★ 0021001	★ 0021001	★ 0021001	★ 0021001	★ 0021001	★ 0021001	★ 0021001
24	Cover, Metering Chamber	-----	A028024	0028036	0028036	0028026	0028026	0028026
25	Spring, Adjust Screw	-----	-----	-----	-----	-----	-----	-----
26	Spring, Adjust Screw	-----	-----	-----	-----	-----	-----	-----
27	Screw, Main Mixture	0030185	0030200	0030185	0030233	0030233	0030233	0030233
28	Screw, Idle Mixture	A031007	A031026	A031005	A031020	0031258	0031258	0031258
29	Screw, Throttle Adjust	▲ A035004	A035005	A035001	▲ A035001	▲ 0035011	▲ 0035011	▲ 0035011
30	Piece, Friction	▲ 0036001	0036001	0036001	▲ 0036001	▲ 0036001	▲ 0036001	▲ 0036001
31	Spring, Friction	0038001	0038001	0038001	0038001	-----	-----	-----
32	Shaft Ass'y, Choke	0041140	0041087	0041134	0041134	A041049	A041049	-----
33	Valve, Choke	0043049	0043049	0043027	0043027	0043027	0043027	0043027
34	Post	0045037	0045037	-----	-----	-----	-----	-----
35	Collar	-----	-----	-----	-----	-----	-----	-----
36	Plunger	-----	-----	K053052	-----	0053067	0053067	0053067
37	Spring (Plunger Return)	-----	-----	0054057	0054057	0054057	0054057	0054057
38	Base Ass'y, Primer	A056131	-----	-----	-----	-----	-----	-----
39	Syringe	0057004	-----	-----	-----	-----	-----	-----
40	Screw (Pin)	14803006	14803006	14803006	14803006	14803006	14803006	14803006
41	Screw (Throttle Valve)	156030045	156030045	156030045	156030045	15603004	15603004	15603004
42	Screw (Choke Valve)	-----	156030045	156030045	156030045	156030045	156030045	156030045
43	Screw (Post)	-----	-----	-----	-----	-----	-----	-----
44	Screw (Metering Cover)	-----	17103007	17103007	17103007	17103007	17103007	17103007
45	Screw (Pump Cover)	17004010	17004010	17004010	17004010	17004010	17004010	17004010
46	Screw (Throttle Lever)	-----	17103004	-----	-----	-----	-----	-----
47	Ball, Steel	19290030	19290030	19290030	19290030	-----	-----	-----
48	E-Ring (Throttle Shaft)	19500030	19500040	19500030	-----	19500030	19500030	19500030
49	E-Ring (Post)	-----	19500040	-----	19500030	-----	-----	-----
50	O-Ring (Plunger)	-----	-----	195703010	195703010	195703010	195703010	195703010
51	Screw, Retainer	17203012	-----	-----	-----	-----	-----	-----
52	E-Ring (Choke Shaft)	19500040	-----	-----	-----	19500025	19500025	19500025
53	Limit, Mixture (H)	0061055	0061055	0061055	0061055	0061055	0061055	0061055
54	Limit, Mixture (L)	-----	-----	-----	0061055	-----	-----	-----
55	Washer (Limit)	-----	-----	-----	-----	-----	-----	-----
56	Retainer (Limit)	-----	-----	-----	-----	-----	-----	-----
57	Spring, Choke	-----	-----	-----	-----	0013083	0013083	0013083
58	Lever, Choke Control	-----	-----	-----	-----	-----	-----	-----
59	Lever, Choke	0042135	-----	-----	-----	-----	-----	-----
60	Collar, Choke Shaft	-----	-----	-----	-----	-----	-----	-----
61	Screw, Choke Shaft	-----	-----	-----	-----	-----	-----	-----
62	Governor Ass'y	-----	-----	-----	-----	-----	-----	-----
63	Washer (Governor)	-----	-----	-----	-----	-----	-----	-----
64	Washer (Post)	0026013	0026013	-----	-----	-----	-----	-----
65	Remote Jet	0070077	0070080	0070076	0070076	-----	-----	-----
66	Boot, Retainer	-----	-----	-----	-----	-----	-----	-----
67	O-Ring (Metering Cover)	-----	-----	195507015	195507015	-----	-----	-----
68	Body, Kit Pump	-----	-----	-----	-----	-----	-----	-----
69	Spring, Pump	-----	-----	-----	-----	-----	-----	-----
70	Retainer Spring	-----	-----	-----	-----	-----	-----	-----
71	Diaphragm, Pump	-----	-----	-----	-----	-----	-----	-----
72	Gasket, Pump	-----	-----	-----	-----	-----	-----	-----
73	Plunger Ass'y, Starter	-----	-----	-----	-----	-----	-----	-----
74	Screw (Plunger Ass'y)	-----	-----	-----	-----	-----	-----	-----
75	Lever, Throttle	-----	-----	-----	-----	-----	-----	-----
76	Spring	-----	-----	-----	-----	-----	-----	-----

PARTS LIST

C1Q TYPE

REF	PART NAME	C1Q S129A	C1Q S130.A-B	C1Q S131.A-B	C1Q S132A-B	C1Q S133.A	C1Q S134	C1Q S135
	Venturi	12.5mm	13.5 mm	13.5 mm	13.5 mm	13.5 mm	11 mm	11 mm
★	Rebuild Kit	RB-69	RB-162	RB-165	RB-162	RB-162	RB-69	RB-69
●	Gasket & Diaphragm Kit	★ GND-39	★ GND-93	★ GND-95	★ GND-93	★ GND-93	★ GND-39	★ GND-39
▲	Cover Kit, Pump	K017016	-----	-----	-----	-----	K017083	K017083
■	Base Kit, Primer	-----	-----	-----	-----	-----	-----	-----
	Oil Pump Kit	-----	-----	-----	-----	-----	-----	-----
1	Strainer	★ 0004011	★ 0004004	★ 0004004	★ 0004004	★ 0004004	★ 0004011	★ 0004011
2	Strainer	0004002	-----	-----	-----	-----	-----	-----
3	Strainer	-----	-----	-----	-----	-----	-----	-----
4	Plug, Welch	★ 0005013	★ 0005013	★ 0005013	★ 0005013	★ 0005013	★ 0005013	★ 0005013
5	Plug, Welch	★ 0005013	-----	-----	-----	-----	-----	-----
6	Valve, Check	-----	-----	-----	-----	-----	-----	-----
7	Retainer, Check Valve	-----	-----	-----	-----	-----	-----	-----
8	Retainer, Syringe	-----	0009065	0009065	0009065	0009065	-----	-----
9	Nozzle Ass'y, Check Valve	A007227	-----	-----	-----	-----	A007230	A007230
10	Shaft Ass'y, Throttle	A011249	A011272	A011273	A011272	A011272	A011260	A011260
11	Lever, Throttle	-----	-----	-----	-----	-----	-----	-----
12	Spring, Throttle Return	0013016	0013142	0013140	0013142	0013142	0013016	0013016
13	Valve, Throttle	0014129	0014040	0014020	0014040	0014040	0014115	0014126
14	Diaphragm Ass'y, Metering	★● A015011	★● A015052	★● A015052	★● A015052	★● A015052	★● A015011	★● A015011
15	Diaphragm, Pump	★● 0015050	★● 0015051	★● 0015051	★● 0015051	★● 0015051	★● 0015050	★● 0015050
16	Diaphragm, Surge	-----	-----	-----	-----	-----	-----	-----
17	Gasket, Metering Chamber	★● 0016021	★● 0016085	★● 0016086	★● 0016085	★● 0016085	★● 0016021	★● 0016021
18	Gasket, Pump	★● 0016033	★● 0016084	★● 0016084	★● 0016084	★● 0016084	★● 0016033	★● 0016033
19	Cover, Pump	▲ 0017032	A017044	A017044	A017044	A017044	▲ 0017088	▲ 0017088
20	Valve, Inlet Needle	★ 0018004	★ 0018004	★ 0018004	★ 0018004	★ 0018004	★ 0018004	★ 0018004
21	Spring, Metering Lever	★ 0019012	★ 0019009	★ 0019002	★ 0019009	★ 0019009	★ 0019012	★ 0019012
22	Lever, Metering	★ 0020012	★ 0020012	★ 0020012	★ 0020012	★ 0020012	★ 0020012	★ 0020012
23	Pin	★ 0021001	★ 0021001	★ 0021001	★ 0021001	★ 0021001	★ 0021001	★ 0021001
24	Cover, Metering Chamber	0028026	-----	-----	-----	-----	0028036	0028036
25	Spring, Adjust Screw	-----	-----	-----	-----	-----	-----	-----
26	Spring, Adjust Screw	-----	-----	-----	-----	-----	-----	-----
27	Screw, Main Mixture	0030233	0030227	0030242	0030227	0030264	0030233	0030233
28	Screw, Idle Mixture	0031258	0031222	0031242	0031222	0031222	A031020	A031008
29	Screw, Throttle Adjust	▲ 0035011	A035005	A035004	A035005	A035005	▲ A035001	▲ A035001
30	Piece, Friction	▲ 0036001	-----	-----	-----	-----	▲ 0036001	▲ 0036001
31	Spring, Friction	-----	0038001	0038001	0038001	0038001	0038001	0038001
32	Shaft Ass'y, Choke	-----	0041162	0041163	0041162	0041162	0041134	0041134
33	Valve, Choke	0043027	0043049	0043049	0043049	0043049	0043027	0043027
34	Post	-----	0045050	0045050	0045050	0045050	-----	-----
35	Collar	-----	-----	-----	-----	-----	-----	-----
36	Plunger	0053067	-----	-----	-----	-----	-----	-----
37	Spring (Plunger Return)	0054057	0054057	0054057	0054057	0054057	0054057	0054057
38	Base Ass'y, Primer	-----	A056106	A056116	A056106	A056140	-----	-----
39	Syringe	-----	0057004	0057004	0057004	0057004	-----	-----
40	Screw (Pin)	14803006	14803006	14803006	14803006	14803006	14803006	14803006
41	Screw (Throttle Valve)	15603004	156030045	156030045	156030045	156030045	156030045	156030045
42	Screw (Choke Valve)	156030045	156030045	156030045	156030045	156030045	156030045	156030045
43	Screw (Post)	-----	-----	-----	-----	-----	-----	-----
44	Screw (Metering Cover)	17103007	-----	-----	-----	-----	17103007	17103007
45	Screw (Pump Cover)	17004010	17124015	17124015	17124015	17124015	17004010	17004010
46	Screw (Throttle Lever)	-----	-----	-----	-----	-----	-----	-----
47	Ball, Steel	-----	19290030	19290030	19290030	19290030	19290030	19290030
48	E-Ring (Throttle Shaft)	19500030	19500030	19500030	19500030	19500030	-----	-----
49	E-Ring (Post)	-----	19500040	19500040	19500040	19500040	19500030	19500030
50	O-Ring (Plunger)	195703010	195703010	195703510	195703010	195703010	195703010	195703010
51	Screw, Retainer	-----	17203012	17203012	17203012	17203012	-----	-----
52	E-Ring (Choke Shaft)	19500025	-----	-----	-----	-----	-----	-----
53	Limiter, Mixture (H)	0061055	0061055	0061055	0061055	0061055	0061055	0061055
54	Limiter, Mixture (L)	-----	0061055	0061055	0061055	0061055	0061055	0061055
55	Washer (Limiter)	-----	-----	-----	-----	-----	-----	-----
56	Retainer (Limiter)	-----	-----	-----	-----	-----	-----	-----
57	Spring, Choke	0013083	-----	-----	-----	-----	-----	-----
58	Lever, Choke Control	-----	-----	-----	-----	-----	-----	-----
59	Lever, Choke	-----	0042179	0042179	0042179	0042177	-----	-----
60	Collar, Choke Shaft	-----	-----	-----	-----	-----	-----	-----
61	Screw, Choke Shaft	-----	-----	-----	-----	-----	-----	-----
62	Governor Ass'y	-----	-----	-----	-----	-----	-----	-----
63	Washer (Governor)	-----	-----	-----	-----	-----	-----	-----
64	Washer (Post)	-----	0026013	0026013	0026013	0026013	-----	-----
65	Remote Jet	-----	-----	-----	-----	-----	0070076	0070076
66	Boot, Retainer	-----	-----	-----	-----	-----	-----	-----
67	O-Ring (Metering Cover)	-----	-----	-----	-----	-----	195507015	195507015
68	Body, Kit Pump	-----	K049007	K049008	K049007	K049007	-----	-----
69	Spring, Pump	-----	0054056	0054056	0054056	0054056	-----	-----
70	Retainer Spring	-----	0009068	0009068	0009068	0009068	-----	-----
71	Diaphragm, Pump	-----	★● 0015091	★● 0015091	★● 0015091	★● 0015091	-----	-----
72	Gasket, Pump	-----	★● 0016083	★● 0016083	★● 0016083	★● 0016083	-----	-----
73	Plunger Ass'y, Starter	-----	-----	-----	-----	-----	-----	-----
74	Screw (Plunger Ass'y)	-----	-----	-----	-----	-----	-----	-----
75	Lever, Throttle	-----	-----	-----	-----	-----	-----	-----
76	Spring	-----	-----	-----	-----	-----	-----	-----

PARTS LIST

C1Q TYPE

REF	PART NAME	C1Q S136	C1Q S137.A	C1Q S138	C1Q S139	C1Q S140.A	C1Q S143	C1Q S150
	Venturi	11 mm	13.5mm	12.5 mm	12.5 mm	10 mm	11 mm	11 mm
★	Rebuild Kit	RB-69	RB-77	RB-89	RB-89	RB-158	RB-157	RB-161
●	Gasket & Diaphragm Kit	GND-39	GND-33	GND-50	GND-50	GND-89	GND-89	GND-92
▲	Cover Kit, Pump	K017083	-----	K017087	K017087	K017078	K017078	K017069
■	Base Kit, Primer	-----	-----	-----	-----	-----	-----	-----
	Oil Pump Kit	-----	-----	-----	-----	-----	-----	-----
1	Strainer	★ 0004011	★ 0004011	★ 0004011	★ 0004011	★ 0004011	★ 0004011	★ 0004011
2	Strainer	-----	-----	-----	-----	-----	0004005	0004005
3	Strainer	-----	-----	-----	-----	-----	-----	-----
4	Plug, Welch	★ 0005013	★ 0005004	★ 0005013	★ 0005013	★ 0005013	★ 0005013	★ 0005013
5	Plug, Welch	-----	★ 0005007	-----	-----	-----	-----	★ 0005042
6	Valve, Check	-----	-----	-----	-----	-----	-----	-----
7	Retainer, Check Valve	-----	-----	-----	-----	-----	-----	-----
8	Retainer, Syringe	-----	-----	-----	-----	0009065	0009065	0009065
9	Nozzle Ass'y, Check Valve	A007230	A007122	-----	-----	-----	-----	-----
10	Shaft Ass'y, Throttle	A011261	A011142	A011190	A011190	A011232	A011211	A011170
11	Lever, Throttle	-----	-----	0012103	0012103	-----	-----	-----
12	Spring, Throttle Return	0013016	0013016	0013016	0013016	0013016	0013016	0013016
13	Valve, Throttle	0014132	0014079	0014109	0014109	0014128	0014095	0014102
14	Diaphragm Ass'y, Metering	★● A015011	★● A015041	★● A015042	★● A015042	★● A015048	★● A015048	★● A015052
15	Diaphragm, Pump	★● 0015050	★● 0015057	★● 0015050	★● 0015050	★● 0015050	★● 0015050	★● 0015050
16	Diaphragm, Surge	-----	-----	-----	-----	-----	-----	-----
17	Gasket, Metering Chamber	★● 0016021	★● 0016035	★● 0016077	★● 0016077	★● 0016085	★● 0016085	★● 0016085
18	Gasket, Pump	★● 0016033	★● 0016034	★● 0016033	★● 0016033	★● 0016033	★● 0016033	★● 0016033
19	Cover, Pump	▲ 0017088	0017101	▲	▲	▲ 0017032	▲ 0017032	▲ 0017032
20	Valve, Inlet Needle	★ 0018004	★ 0018004	★ 0018004	★ 0018004	★ 0018004	★ 0018004	★ 0018004
21	Spring, Metering Lever	★ 0019012	★ 0019006	★ 0019009	★ 0019009	★ 0019009	★ 0019002	★ 0019002
22	Lever, Metering	★ 0020012	★ 0020012	★ 0020012	★ 0020012	★ 0020012	★ 0020012	★ 0020012
23	Pin	★ 0021001	★ 0021001	★ 0021001	★ 0021001	★ 0021001	★ 0021001	★ 0021001
24	Cover, Metering Chamber	0028036	0028036	A028024	A028024	-----	-----	-----
25	Spring, Adjust Screw	-----	-----	-----	-----	-----	-----	-----
26	Spring, Adjust Screw	-----	-----	-----	-----	-----	-----	-----
27	Screw, Main Mixture	0030185	-----	0030200	0030200	0030192	0030185	0030185
28	Screw, Idle Mixture	A031005	-----	A031011	A031012	A031029	A031018	A031005
29	Screw, Throttle Adjust	▲ A035001	0035082	▲	▲	▲ A035004	▲ A035004	▲ A035001
30	Piece, Friction	▲ 0036001	-----	▲	▲	▲ 0036001	▲ 0036001	▲ 0036001
31	Spring, Friction	0038001	-----	0038001	0038001	0038001	-----	-----
32	Shaft Ass'y, Choke	0041134	A041016	0041087	0041087	0041140	-----	-----
33	Valve, Choke	0043027	0043050	0043049	0043049	0043049	-----	-----
34	Post	-----	-----	0045037	0045037	0045037	0045036	0045037
35	Collar	-----	-----	-----	-----	-----	-----	-----
36	Plunger	-----	-----	-----	-----	-----	-----	0053062
37	Spring (Plunger Return)	0054057	-----	-----	-----	-----	0054057	0054057
38	Base Ass'y, Primer	-----	-----	-----	-----	A056130	A056081	A056127
39	Syringe	-----	-----	-----	-----	0057004	0057004	0057004
40	Screw (Pin)	14803006	14803006	14803006	14803006	14803006	14803006	14803006
41	Screw (Throttle Valve)	156030045	15603004	15603004	15603004	156030045	156030045	15603004
42	Screw (Choke Valve)	156030045	156030045	156030045	156030045	-----	-----	-----
43	Screw (Post)	-----	-----	-----	-----	-----	-----	-----
44	Screw (Metering Cover)	17103007	17103007	17103007	17103007	-----	-----	-----
45	Screw (Pump Cover)	17004010	17004010	17004010	17004010	17004010	17004010	17004010
46	Screw (Throttle Lever)	-----	-----	17103004	17103004	-----	-----	-----
47	Ball, Steel	19290030	-----	19290030	19290030	19290030	-----	-----
48	E-Ring (Throttle Shaft)	-----	19500030	19500040	19500040	19500030	19500030	19500030
49	E-Ring (Post)	19500030	-----	19500040	19500040	19500040	19500040	19500040
50	O-Ring (Plunger)	195703010	-----	-----	-----	-----	195703010	195702308
51	Screw, Retainer	-----	-----	-----	-----	17203015	17203012	17203012
52	E-Ring (Choke Shaft)	-----	19500025	-----	-----	-----	-----	-----
53	Limiters, Mixture (H)	0061055	-----	0061055	0061055	0061055	0061055	0061055
54	Limiters, Mixture (L)	0061055	-----	-----	-----	-----	-----	-----
55	Washer (Limiters)	-----	-----	-----	-----	-----	-----	-----
56	Retainer (Limiters)	-----	-----	-----	-----	-----	-----	-----
57	Spring, Choke	-----	0013083	-----	-----	-----	-----	-----
58	Lever, Choke Control	-----	-----	-----	-----	-----	-----	-----
59	Lever, Choke	-----	-----	-----	-----	0042135	-----	-----
60	Collar, Choke Shaft	-----	-----	-----	-----	-----	-----	-----
61	Screw, Choke Shaft	-----	-----	-----	-----	-----	-----	-----
62	Governor Ass'y	-----	-----	-----	-----	-----	-----	-----
63	Washer (Governor)	-----	-----	-----	-----	-----	-----	-----
64	Washer (Post)	-----	-----	0026013	0026013	0026013	0026013	0026013
65	Remote Jet	0070076	0070086	0070077	0070077	0070042	0070076	0070076
66	Boot, Retainer	-----	195507015	-----	-----	-----	-----	-----
67	O-Ring (Metering Cover)	195507015	-----	-----	-----	-----	-----	-----
68	Body, Kit Pump	-----	-----	-----	-----	-----	-----	-----
69	Spring, Pump	-----	-----	-----	-----	-----	-----	-----
70	Retainer Spring	-----	-----	-----	-----	-----	-----	-----
71	Diaphragm, Pump	-----	-----	-----	-----	-----	-----	-----
72	Gasket, Pump	-----	-----	-----	-----	-----	-----	-----
73	Plunger Ass'y, Starter	-----	-----	-----	-----	-----	-----	-----
74	Screw (Plunger Ass'y)	-----	-----	-----	-----	-----	-----	-----
75	Lever, Throttle	-----	-----	-----	-----	-----	-----	-----
76	Spring	-----	-----	-----	-----	-----	-----	-----

PARTS LIST

C1Q TYPE

REF	PART NAME	C1Q S152	C1Q S153	C1Q S154	C1Q S155	C1Q S156	C1Q S157	C1Q S159
	Venturi	13.5mm	11 mm	13.5 mm	13.5mm	13.5mm	11 mm	13.5mm
★	Rebuild Kit	RB-77	RB-161	RB-169	RB-170	RB-171	RB-100	RB-173
●	Gasket & Diaphragm Kit	★ GND-33	★ GND-92	★ GND-98	★ GND-98	★ GND-98	★ GND-56	★ GND-99
▲	Cover Kit, Pump	-----	K017078	K017087	K017087	K017087	K017094	K017087
■	Base Kit, Primer	-----	-----	-----	-----	-----	-----	-----
	Oil Pump Kit	-----	-----	-----	-----	-----	-----	-----
1	Strainer	★ 0004011	★ 0004011	★ 0004011	★ 0004011	★ 0004011	★ 0004011	★ 0004011
2	Strainer	-----	0004005	-----	-----	-----	0004005	-----
3	Strainer	-----	-----	-----	-----	-----	-----	-----
4	Plug, Welch	★ 0005004	★ 0005013	★ 0005013	★ 0005013	★ 0005013	★ 0005013	★ 0005013
5	Plug, Welch	★ 0005007	-----	-----	-----	-----	-----	-----
6	Valve, Check	-----	-----	-----	-----	-----	-----	-----
7	Retainer, Check Valve	-----	-----	-----	-----	-----	-----	-----
8	Retainer, Syringe	-----	0009065	-----	-----	-----	0009065	-----
9	Nozzle Ass'y, Check Valve	A007122	-----	-----	-----	-----	-----	-----
10	Shaft Ass'y, Throttle	A011142	A011211	A011160	A011160	A011160	A011193	A011160
11	Lever, Throttle	-----	-----	0012103	0012103	0012103	-----	0012103
12	Spring, Throttle Return	0013016	0013016	0013016	0013016	0013016	0013016	0013016
13	Valve, Throttle	0014079	0014095	0014112	0014112	0014135	0014095	0014135
14	Diaphragm Ass'y, Metering	★● A015041	★● A015052	★● A015061	★● A015061	★● A015061	★● A015053	★● A015067
15	Diaphragm, Pump	★● 0015057	★● 0015050	★● 0015050	★● 0015050	★● 0015050	★● 0015050	★● 0015050
16	Diaphragm, Surge	-----	-----	-----	-----	-----	-----	-----
17	Gasket, Metering Chamber	★● 0016035	★● 0016085	★● 0016100	★● 0016100	★● 0016100	★● 0016085	★● 0016102
18	Gasket, Pump	★● 0016034	★● 0016033	★● 0016033	★● 0016033	★● 0016033	★● 0016033	★● 0016033
19	Cover, Pump	0017101	▲ 0017032	▲	▲	▲	▲ 0017096	▲
20	Valve, Inlet Needle	★ 0018004	★ 0018004	★ 0018004	★ 0018004	★ 0018004	★ 0018004	★ 0018004
21	Spring, Metering Lever	★ 0019006	★ 0019002	★ 0019002	★ 0019036	★ 0019012	★ 0019002	★ 0019012
22	Lever, Metering	★ 0020012	★ 0020012	★ 0020012	★ 0020012	★ 0020012	★ 0020012	★ 0020012
23	Pin	★ 0021001	★ 0021001	★ 0021001	★ 0021001	★ 0021001	★ 0021001	★ 0021001
24	Cover, Metering Chamber	0028036	-----	A028030	A028030	A028030	-----	A028029
25	Spring, Adjust Screw	-----	-----	-----	-----	-----	-----	-----
26	Spring, Adjust Screw	-----	-----	-----	-----	-----	-----	-----
27	Screw, Main Mixture	-----	0030185	0030200	0030200	0030200	0030185	0030200
28	Screw, Idle Mixture	-----	A031018	A031017	A031017	A031026	A031002	A031026
29	Screw, Throttle Adjust	0035082	▲ A035004	▲	▲	▲	▲ A035004	▲
30	Piece, Friction	-----	▲ 0036001	▲	▲	▲	▲ 0036001	▲
31	Spring, Friction	-----	-----	0038001	0038001	0038001	-----	0038001
32	Shaft Ass'y, Choke	A041016	-----	0041087	0041087	0041087	-----	0041087
33	Valve, Choke	0043050	-----	0043049	0043049	0043049	-----	0043049
34	Post	-----	0045036	0045037	0045037	0045037	0045036	0045037
35	Collar	-----	-----	-----	-----	-----	-----	-----
36	Plunger	-----	0053059	-----	-----	-----	-----	-----
37	Spring (Plunger Return)	-----	0054057	-----	-----	-----	-----	-----
38	Base Ass'y, Primer	-----	A056127	-----	-----	-----	A056081	-----
39	Syringe	-----	0057004	-----	-----	-----	0057004	-----
40	Screw (Pin)	14803006	14803006	14803006	14803006	14803006	14803006	14803006
41	Screw (Throttle Valve)	15603004	156030045	156030045	156030045	156030045	156030045	156030045
42	Screw (Choke Valve)	156030045	-----	156030045	156030045	156030045	-----	156030045
43	Screw (Post)	-----	-----	-----	-----	-----	-----	-----
44	Screw (Metering Cover)	17103007	-----	17103007	17103007	17103007	-----	17103007
45	Screw (Pump Cover)	17004010	17004010	17004010	17004010	17004010	17004010	17004010
46	Screw (Throttle Lever)	-----	-----	17103004	17103004	17103004	-----	17103004
47	Ball, Steel	-----	-----	19290030	19290030	19290030	-----	19290030
48	E-Ring (Throttle Shaft)	19500030	19500030	19500040	19500040	19500040	19500030	19500040
49	E-Ring (Post)	-----	19500040	19500040	19500040	19500040	19500040	19500040
50	O-Ring (Plunger)	-----	195703010	-----	-----	-----	-----	-----
51	Screw, Retainer	-----	17203012	-----	-----	-----	17203012	-----
52	E-Ring (Choke Shaft)	19500025	-----	-----	-----	-----	-----	-----
53	Limiters, Mixture (H)	-----	0061055	0061055	0061055	0061055	0061055	0061055
54	Limiters, Mixture (L)	-----	-----	-----	-----	-----	-----	-----
55	Washer (Limiters)	-----	-----	-----	-----	-----	-----	-----
56	Retainer (Limiters)	-----	-----	-----	-----	-----	-----	-----
57	Spring, Choke	0013083	-----	-----	-----	-----	-----	-----
58	Lever, Choke Control	-----	-----	-----	-----	-----	-----	-----
59	Lever, Choke	-----	-----	-----	-----	-----	-----	-----
60	Collar, Choke Shaft	-----	-----	-----	-----	-----	-----	-----
61	Screw, Choke Shaft	-----	-----	-----	-----	-----	-----	-----
62	Governor Ass'y	-----	-----	-----	-----	-----	-----	-----
63	Washer (Governor)	-----	-----	-----	-----	-----	-----	-----
64	Washer (Post)	-----	0026013	0026013	0026013	0026013	0026013	0026013
65	Remote Jet	0070083	0070076	0070079	0070079	0070080	0070040	0070080
66	Boot, Retainer	195507015	-----	-----	-----	-----	-----	-----
67	O-Ring (Metering Cover)	-----	-----	-----	-----	-----	-----	-----
68	Body, Kit Pump	-----	-----	-----	-----	-----	-----	-----
69	Spring, Pump	-----	-----	-----	-----	-----	-----	-----
70	Retainer Spring	-----	-----	-----	-----	-----	-----	-----
71	Diaphragm, Pump	-----	-----	-----	-----	-----	-----	-----
72	Gasket, Pump	-----	-----	-----	-----	-----	-----	-----
73	Plunger Ass'y, Starter	-----	-----	-----	-----	-----	-----	-----
74	Screw (Plunger Ass'y)	-----	-----	-----	-----	-----	-----	-----
75	Lever, Throttle	-----	-----	-----	-----	-----	-----	-----
76	Spring	-----	-----	-----	-----	-----	-----	-----

PARTS LIST

C1Q TYPE

REF	PART NAME	C1Q S160	C1Q S161	C1Q S162	C1Q S165	C1Q S166	C1Q S169	C1Q S170
	Venturi	11 mm	12.5 mm	12.5 mm	16 mm	16 mm	11 mm	11 mm
★	Rebuild Kit	RB-161	RB-172	RB-172	RB-161	RB-161	RB-161	RB-161
●	Gasket & Diaphragm Kit	★ GND-92	★ GND-98	★ GND-98	★ GND-92	★ GND-92	★ GND-92	★ GND-92
▲	Cover Kit, Pump	K017078	K017087	K017087	K017095	K017095	K017069	K017069
■	Base Kit, Primer	-----	-----	-----	-----	-----	-----	-----
	Oil Pump Kit	-----	-----	-----	-----	-----	-----	-----
1	Strainer	★ 0004011	★ 0004011	★ 0004011	★ 0004011	★ 0004011	★ 0004011	★ 0004011
2	Strainer	0004005	-----	-----	-----	-----	-----	-----
3	Strainer	-----	-----	-----	-----	-----	0004005	0004005
4	Plug, Welch	★ 0005013	★ 0005013	★ 0005013	-----	-----	★ 0005013	★ 0005013
5	Plug, Welch	-----	-----	-----	-----	-----	★ 0005042	★ 0005042
6	Valve, Check	-----	-----	-----	-----	-----	-----	-----
7	Retainer, Check Valve	-----	-----	-----	-----	-----	-----	-----
8	Retainer, Syringe	0009065	-----	-----	-----	-----	0009065	0009065
9	Nozzle Ass'y, Check Valve	-----	-----	-----	-----	-----	-----	-----
10	Shaft Ass'y, Throttle	A011211	A011190	A011190	-----	-----	A011170	A011170
11	Lever, Throttle	-----	0012103	0012103	0012304	0012304	-----	-----
12	Spring, Throttle Return	0013016	0013016	0013016	-----	-----	0013016	0013016
13	Valve, Throttle	0014095	0014109	0014109	-----	-----	0014102	0014102
14	Diaphragm Ass'y, Metering	★● A015052	★● A015061	★● A015061	★● A015052	★● A015052	★● A015052	★● A015052
15	Diaphragm, Pump	★● 0015050	★● 0015050	★● 0015050	★● 0015050	★● 0015050	★● 0015050	★● 0015050
16	Diaphragm, Surge	-----	-----	-----	-----	-----	-----	-----
17	Gasket, Metering Chamber	★● 0016085	★● 0016100	★● 0016100	★● 0016085	★● 0016085	★● 0016085	★● 0016085
18	Gasket, Pump	★● 0016033	★● 0016033	★● 0016033	★● 0016033	★● 0016033	★● 0016033	★● 0016033
19	Cover, Pump	▲ 0017032	▲	▲	▲ 0017105	▲ 0017105	▲ 0017032	▲ 0017032
20	Valve, Inlet Needle	★ 0018004	★ 0018004	★ 0018004	★ 0018004	★ 0018004	★ 0018004	★ 0018004
21	Spring, Metering Lever	★ 0019002	★ 0019009	★ 0019009	★ 0019002	★ 0019002	★ 0019002	★ 0019002
22	Lever, Metering	★ 0020012	★ 0020012	★ 0020012	★ 0020012	★ 0020012	★ 0020012	★ 0020012
23	Pin	★ 0021001	★ 0021001	★ 0021001	★ 0021001	★ 0021001	★ 0021001	★ 0021001
24	Cover, Metering Chamber	-----	A028030	A028030	A028033	A028032	-----	-----
25	Spring, Adjust Screw	-----	-----	-----	-----	-----	-----	-----
26	Spring, Adjust Screw	-----	-----	-----	-----	-----	-----	-----
27	Screw, Main Mixture	0030185	0030200	0030200	0030262	A030002	0030185	0030185
28	Screw, Idle Mixture	A031018	A031011	A031012	A031030	A031030	A031005	A031005
29	Screw, Throttle Adjust	▲ A035004	▲	▲	▲ A035001	▲ A035001	▲ A035001	▲ A035001
30	Piece, Friction	▲ 0036001	▲	▲	▲ 0036001	▲ 0036001	▲ 0036001	▲ 0036001
31	Spring, Friction	-----	0038001	0038001	-----	-----	-----	-----
32	Shaft Ass'y, Choke	-----	0041087	0041087	-----	-----	-----	-----
33	Valve, Choke	-----	0043049	0043049	-----	-----	-----	-----
34	Post	0045036	0045037	0045037	0045037	0045037	0045037	0045037
35	Collar	-----	-----	-----	-----	-----	-----	-----
36	Plunger	-----	-----	-----	-----	-----	0053062	0053062
37	Spring (Plunger Return)	0054057	-----	-----	-----	-----	0054057	0054057
38	Base Ass'y, Primer	A056127	-----	-----	-----	-----	A056127	A056127
39	Syringe	0057004	-----	-----	-----	-----	0057004	0057004
40	Screw (Pin)	14803006	14803006	14803006	161025003	161025003	14803006	14803006
41	Screw (Throttle Valve)	156030045	15603004	15603004	156030045	156030045	15603004	15603004
42	Screw (Choke Valve)	-----	156030045	156030045	156030045	156030045	-----	-----
43	Screw (Post)	-----	-----	-----	-----	-----	-----	-----
44	Screw (Metering Cover)	-----	17103007	17103007	17103007	17103007	-----	-----
45	Screw (Pump Cover)	17004010	17004010	17004010	17014010	17014010	17004010	17004010
46	Screw (Throttle Lever)	-----	17103004	17103004	17103004	17103004	-----	-----
47	Ball, Steel	-----	19290030	19290030	-----	-----	-----	-----
48	E-Ring (Throttle Shaft)	19500030	19500040	19500040	19510040	19510040	19500040	19500040
49	E-Ring (Post)	19500040	19500040	19500040	19500040	19500040	19500030	19500030
50	O-Ring (Plunger)	195703010	-----	-----	-----	-----	195702308	195702308
51	Screw, Retainer	17203012	-----	-----	-----	-----	17203012	17203012
52	E-Ring (Choke Shaft)	-----	-----	-----	-----	-----	-----	-----
53	Limiter, Mixture (H)	0061055	0061055	0061055	0061055	0061055	0061055	0061055
54	Limiter, Mixture (L)	-----	-----	-----	-----	-----	-----	-----
55	Washer (Limiter)	-----	-----	-----	-----	-----	-----	-----
56	Retainer (Limiter)	-----	-----	-----	-----	-----	-----	-----
57	Spring, Choke	-----	-----	-----	-----	-----	-----	-----
58	Lever, Choke Control	-----	-----	-----	-----	-----	-----	-----
59	Lever, Choke	-----	-----	-----	-----	-----	-----	-----
60	Collar, Choke Shaft	-----	-----	-----	-----	-----	-----	-----
61	Screw, Choke Shaft	-----	-----	-----	-----	-----	-----	-----
62	Governor Ass'y	-----	-----	-----	-----	-----	-----	-----
63	Washer (Governor)	-----	-----	-----	-----	-----	-----	-----
64	Washer (Post)	0026013	0026013	0026013	0026013	0026013	0026013	0026013
65	Remote Jet	0070080	0070077	0070077	0070074	0070077	0070076	0070076
66	Boot, Retainer	-----	-----	-----	-----	-----	-----	-----
67	O-Ring (Metering Cover)	-----	-----	-----	-----	-----	-----	-----
68	Body, Kit Pump	-----	-----	-----	-----	-----	-----	-----
69	Spring, Pump	-----	-----	-----	-----	-----	-----	-----
70	Retainer Spring	-----	-----	-----	-----	-----	-----	-----
71	Diaphragm, Pump	-----	-----	-----	-----	-----	-----	-----
72	Gasket, Pump	-----	-----	-----	-----	-----	-----	-----
73	Plunger Ass'y, Starter	-----	-----	-----	-----	-----	-----	-----
74	Screw (Plunger Ass'y)	-----	-----	-----	-----	-----	-----	-----
75	Lever, Throttle	-----	-----	-----	-----	-----	-----	-----
76	Spring	-----	-----	-----	-----	-----	-----	-----

PARTS LIST

C1Q TYPE

REF	PART NAME	C1Q S171.A	C1Q S178.A-C	C1Q S17A-9C	C1Q S180A-C	C1Q S183	C1Q S184	C1Q S185
	Venturi	10 mm	10.1 mm	10.1 mm	10.1 mm	13.5 mm	13.5 mm	13.5 mm
★	Rebuild Kit	RB-165	RB-176	RB-176	RB-176	RB-166	RB-166	RB-166
●	Gasket & Diaphragm Kit	★ GND-95	★ GND-101	★ GND-101	★ GND-101	★ GND-93	★ GND-93	★ GND-93
▲	Cover Kit, Pump	-----	-----	-----	-----	-----	-----	-----
■	Base Kit, Primer	-----	-----	-----	-----	-----	-----	-----
	Oil Pump Kit	-----	-----	-----	-----	-----	-----	-----
1	Strainer	★ 0004004	★ 0004011	★ 0004011	★ 0004011	★ 0004004	★ 0004004	★ 0004004
2	Strainer	-----	-----	-----	-----	-----	-----	-----
3	Strainer	-----	-----	-----	-----	-----	-----	-----
4	Plug, Welch	★ 0005013	-----	-----	-----	★ 0005013	★ 0005013	★ 0005013
5	Plug, Welch	-----	-----	-----	-----	-----	-----	-----
6	Valve, Check	-----	-----	-----	-----	-----	-----	-----
7	Retainer, Check Valve	-----	-----	-----	-----	-----	-----	-----
8	Retainer, Syringe	0009065	-----	-----	-----	-----	-----	-----
9	Nozzle Ass'y, Check Valve	-----	-----	-----	-----	-----	-----	-----
10	Shaft Ass'y, Throttle	A011273	-----	-----	-----	A011225	A011225	A011225
11	Lever, Throttle	-----	0012314	0012314	0012314	0012200	0012200	0012200
12	Spring, Throttle Return	0013140	-----	-----	-----	0013142	0013142	0013142
13	Valve, Throttle	0014020	-----	-----	-----	0014116	0014116	0014116
14	Diaphragm Ass'y, Metering	★● A015052	★● A015070	★● A015070	★● A015070	★● A015052	★● A015052	★● A015052
15	Diaphragm, Pump	★● 0015051	★● 0015050	★● 0015050	★● 0015050	★● 0015051	★● 0015051	★● 0015051
16	Diaphragm, Surge	-----	-----	-----	-----	-----	-----	-----
17	Gasket, Metering Chamber	★● 0016086	★● 0016105	★● 0016105	★● 0016105	★● 0016085	★● 0016085	★● 0016085
18	Gasket, Pump	★● 0016084	★● 0016033	★● 0016033	★● 0016033	★● 0016084	★● 0016084	★● 0016084
19	Cover, Pump	A017044	▲ 0017093	▲ 0017093	▲ 0017108	A017044	A017044	A017044
20	Valve, Inlet Needle	★ 0018004	★ 0018004	★ 0018004	★ 0018004	★ 0018004	★ 0018004	★ 0018004
21	Spring, Metering Lever	★ 0019002	★ 0019012	★ 0019012	★ 0019012	★ 0019002	★ 0019002	★ 0019002
22	Lever, Metering	★ 0020012	★ 0020012	★ 0020012	★ 0020012	★ 0020012	★ 0020012	★ 0020012
23	Pin	★ 0021001	★ 0021001	★ 0021001	★ 0021001	★ 0021001	★ 0021001	★ 0021001
24	Cover, Metering Chamber	-----	0028057	A028034	0028057	A028027	A028027	A028027
25	Spring, Adjust Screw	-----	-----	-----	-----	-----	-----	-----
26	Spring, Adjust Screw	-----	-----	-----	-----	-----	-----	-----
27	Screw, Main Mixture	0030242	0030268	0030268	0030268	0030271	0030272	0030273
28	Screw, Idle Mixture	0031242	A031028	A031028	A031028	0031265	0031265	0031265
29	Screw, Throttle Adjust	A035004	▲ A035006	▲ A035006	▲ A035006	A035005	A035005	A035005
30	Piece, Friction	-----	▲ 0036001	▲ 0036001	▲ 0036001	0036001	0036001	0036001
31	Spring, Friction	0038001	-----	-----	-----	-----	-----	-----
32	Shaft Ass'y, Choke	0041163	-----	-----	-----	A041112	A041112	A041112
33	Valve, Choke	0043049	-----	-----	-----	0043060	0043060	0043060
34	Post	0045050	-----	-----	-----	0045037	0045037	0045037
35	Collar	-----	-----	-----	-----	0052021	0052021	0052021
36	Plunger	-----	-----	-----	-----	-----	-----	-----
37	Spring (Plunger Return)	0054057	-----	-----	-----	0054057	0054057	0054057
38	Base Ass'y, Primer	A056116	-----	-----	-----	-----	-----	-----
39	Syringe	0057004	-----	-----	-----	-----	-----	-----
40	Screw (Pin)	14803006	161025003	161025003	161025003	14803006	14803006	14803006
41	Screw (Throttle Valve)	156030045	156030055	156030055	156030055	156030045	156030045	156030045
42	Screw (Choke Valve)	156030045	156030045	156030045	156030045	156030045	156030045	156030045
43	Screw (Post)	-----	-----	-----	-----	-----	-----	-----
44	Screw (Metering Cover)	-----	17103007	17103007	17103007	17103007	17103007	17103007
45	Screw (Pump Cover)	17124015	17004010	17004010	17404012	17104015	17104015	17104015
46	Screw (Throttle Lever)	-----	17103004	17103004	17103004	17103004	17103004	17103004
47	Ball, Steel	19290030	-----	-----	-----	-----	-----	-----
48	E-Ring (Throttle Shaft)	19500030	19510040	19510040	19510040	-----	-----	-----
49	E-Ring (Post)	19500040	-----	-----	-----	19500040	19500040	19500040
50	O-Ring (Plunger)	195703510	-----	-----	-----	195703510	195703510	195703510
51	Screw, Retainer	17203012	-----	-----	-----	-----	-----	-----
52	E-Ring (Choke Shaft)	-----	-----	-----	-----	19510040	19510040	19510040
53	Limiter, Mixture (H)	0061055	A061003	A061003	A061003	-----	-----	-----
54	Limiter, Mixture (L)	0061055	-----	-----	-----	-----	-----	-----
55	Washer (Limiter)	-----	-----	-----	-----	-----	-----	-----
56	Retainer (Limiter)	-----	-----	-----	-----	-----	-----	-----
57	Spring, Choke	-----	-----	-----	-----	0013141	0013141	0013141
58	Lever, Choke Control	-----	-----	-----	-----	-----	-----	-----
59	Lever, Choke	0042177	-----	-----	-----	0042117	0042117	0042117
60	Collar, Choke Shaft	-----	-----	-----	-----	-----	-----	-----
61	Screw, Choke Shaft	-----	-----	-----	-----	-----	-----	-----
62	Governor Ass'y	-----	-----	-----	-----	-----	-----	-----
63	Washer (Governor)	-----	-----	-----	-----	-----	-----	-----
64	Washer (Post)	0026013	-----	-----	-----	0026013	0026013	0026013
65	Remote Jet	-----	-----	-----	-----	-----	-----	-----
66	Boot, Retainer	-----	-----	-----	-----	-----	-----	-----
67	O-Ring (Metering Cover)	-----	195507015	195507015	195507015	-----	-----	-----
68	Body, Kit Pump	K049008	-----	-----	-----	K049007	K049007	K049007
69	Spring, Pump	0054056	-----	-----	-----	0054056	0054056	0054056
70	Retainer Spring	0009068	-----	-----	-----	0009068	0009068	0009068
71	Diaphragm, Pump	★● 0015091	-----	-----	-----	★● 0015091	★● 0015091	★● 0015091
72	Gasket, Pump	★● 0016083	-----	-----	-----	★● 0016083	★● 0016083	★● 0016083
73	Plunger Ass'y, Starter	-----	-----	-----	-----	-----	-----	-----
74	Screw (Plunger Ass'y)	-----	-----	-----	-----	-----	-----	-----
75	Lever, Throttle	-----	-----	-----	-----	-----	-----	-----
76	Spring	-----	-----	-----	-----	-----	-----	-----

PARTS LIST

C1Q TYPE

REF	PART NAME	C1Q S186	C1Q S187	C1Q S190	C1Q SK4	C1Q SK5	C1Q SK6.A	C1Q SK7
	Venturi	11 mm	11 mm	9 mm	12.5 mm	12.5 mm	12.5 mm	12.5 mm
★	Rebuild Kit	RB-161	RB-161	RB-180	RB-40	RB-40	RB-40	RB-40
●	Gasket & Diaphragm Kit	GND-92	GND-92	GND-104	GND-28	GND-28	GND-28	GND-28
▲	Cover Kit, Pump	K017078	K017078	K017094	-----	-----	-----	-----
■	Base Kit, Primer	-----	-----	-----	-----	-----	-----	-----
	Oil Pump Kit	-----	-----	-----	-----	-----	-----	-----
1	Strainer	★ 0004011	★ 0004011	★ 0004011	★ 0004011	★ 0004011	★ 0004011	★ 0004011
2	Strainer	0004005	0004005	-----	-----	-----	-----	-----
3	Strainer	-----	-----	-----	-----	-----	-----	-----
4	Plug, Welch	★ 0005013	★ 0005013	-----	★ 0005005	★ 0005005	★ 0005005	★ 0005005
5	Plug, Welch	-----	-----	-----	-----	-----	-----	-----
6	Valve, Check	-----	-----	-----	-----	-----	-----	-----
7	Retainer, Check Valve	-----	-----	-----	-----	-----	-----	-----
8	Retainer, Syringe	0009065	0009065	0009065	-----	-----	-----	-----
9	Nozzle Ass'y, Check Valve	-----	-----	-----	A007048	A007235	A007235	A007048
10	Shaft Ass'y, Throttle	A011211	A011211	-----	A011043	A011063	A011075	A011063
11	Lever, Throttle	-----	-----	-----	0012046	0012067	0012071	-----
12	Spring, Throttle Return	0013154	0013154	0013154	0013016	0013016	0013016	0013016
13	Valve, Throttle	0014095	0014095	0014139	0014036	0014036	0014038	0014036
14	Diaphragm Ass'y, Metering	★● A015052	★● A015052	★● A015060	★● A015011	★● A015011	★● A015011	★● A015011
15	Diaphragm, Pump	★● 0015050	★● 0015050	★● 0015050	★● 0015038	★● 0015050	★● 0015050	★● 0015050
16	Diaphragm, Surge	-----	-----	-----	-----	-----	-----	-----
17	Gasket, Metering Chamber	★● 0016085	★● 0016085	★● 0016099	★● 0016035	★● 0016035	★● 0016035	★● 0016035
18	Gasket, Pump	★● 0016033	★● 0016033	★● 0016033	★● 0016033	★● 0016033	★● 0016033	★● 0016033
19	Cover, Pump	▲ 0017032	▲ 0017032	▲ 0017096	0017033	0017033	0017033	0017033
20	Valve, Inlet Needle	★ 0018004	★ 0018004	★ 0018004	★ 0018004	★ 0018004	★ 0018004	★ 0018004
21	Spring, Metering Lever	★ 0019002	★ 0019002	★ 0019036	★ 0019002	★ 0019002	★ 0019002	★ 0019002
22	Lever, Metering	★ 0020012	★ 0020012	★ 0020012	★ 0020012	★ 0020012	★ 0020012	★ 0020012
23	Pin	★ 0021001	★ 0021001	★ 0021001	★ 0021001	★ 0021001	★ 0021001	★ 0021001
24	Cover, Metering Chamber	-----	-----	-----	0028005	0028023	0028023	0028023
25	Spring, Adjust Screw	-----	-----	-----	0029005	0029005	0029005	0029005
26	Spring, Adjust Screw	-----	-----	-----	-----	-----	0029005	0029005
27	Screw, Main Mixture	0030185	0030185	0030258	0030052	0030052	0030032	0030081
28	Screw, Idle Mixture	A031018	A031018	0031266	0031052	0031052	0031056	0031081
29	Screw, Throttle Adjust	▲ A035004	▲ A035004	▲ A035004	-----	-----	0035024	0035024
30	Piece, Friction	▲ 0036001	▲ 0036001	▲ 0036001	-----	-----	-----	-----
31	Spring, Friction	-----	-----	-----	0038001	0038001	0038001	0038001
32	Shaft Ass'y, Choke	-----	-----	-----	0041024	0041024	0041028	0041024
33	Valve, Choke	-----	-----	-----	0043010	0043010	0043010	0043010
34	Post	0045036	0045036	0045036	0045004	0045004	0045004	0045004
35	Collar	-----	-----	-----	-----	-----	-----	-----
36	Plunger	0053059	0053059	-----	-----	-----	-----	-----
37	Spring (Plunger Return)	0054057	0054057	-----	-----	-----	-----	-----
38	Base Ass'y, Primer	A056127	A056127	A056148	-----	-----	-----	-----
39	Syringe	0057004	0057004	0057004	-----	-----	-----	-----
40	Screw (Pin)	14803006	14803006	161025003	14803006	14803006	14803006	14803006
41	Screw (Throttle Valve)	156030045	156030045	156030055	156030045	156030045	156030045	156030045
42	Screw (Choke Valve)	-----	-----	-----	156030045	156030045	156030045	156030045
43	Screw (Post)	-----	-----	-----	-----	-----	-----	-----
44	Screw (Metering Cover)	-----	-----	-----	17103007	17203006	17203006	17203006
45	Screw (Pump Cover)	17004010	17004010	17004010	17004010	17004010	17004010	17004010
46	Screw (Throttle Lever)	-----	-----	-----	-----	-----	17103004	-----
47	Ball, Steel	-----	-----	-----	19290030	19290030	19290030	19290030
48	E-Ring (Throttle Shaft)	19500030	19500030	19500030	19500030	19500030	19500040	19500040
49	E-Ring (Post)	19500040	19500040	19500040	19500040	19500040	19500040	19500040
50	O-Ring (Plunger)	195703010	195703010	-----	-----	-----	-----	-----
51	Screw, Retainer	17203012	17203012	172030135	-----	-----	-----	-----
52	E-Ring (Choke Shaft)	-----	-----	-----	-----	-----	-----	-----
53	Limiters, Mixture (H)	0061055	0061055	0061055	-----	-----	-----	0061009
54	Limiters, Mixture (L)	-----	-----	0061074	-----	-----	-----	0061010
55	Washer (Limiters)	-----	-----	-----	-----	-----	-----	0026014
56	Retainer (Limiters)	-----	-----	-----	-----	-----	-----	-----
57	Spring, Choke	-----	-----	-----	-----	-----	-----	-----
58	Lever, Choke Control	-----	-----	-----	-----	-----	-----	-----
59	Lever, Choke	-----	-----	-----	-----	-----	-----	-----
60	Collar, Choke Shaft	-----	-----	-----	-----	-----	-----	-----
61	Screw, Choke Shaft	-----	-----	-----	-----	-----	-----	-----
62	Governor Ass'y	-----	-----	-----	-----	-----	-----	-----
63	Washer (Governor)	-----	-----	-----	-----	-----	-----	-----
64	Washer (Post)	0026013	0026013	0026013	-----	-----	-----	-----
65	Remote Jet	0070076	0070076	-----	-----	-----	-----	-----
66	Boot, Retainer	-----	-----	-----	-----	-----	-----	-----
67	O-Ring (Metering Cover)	-----	-----	-----	-----	-----	-----	-----
68	Body, Kit Pump	-----	-----	-----	-----	-----	-----	-----
69	Spring, Pump	-----	-----	-----	-----	-----	-----	-----
70	Retainer Spring	-----	-----	-----	-----	-----	-----	-----
71	Diaphragm, Pump	-----	-----	-----	-----	-----	-----	-----
72	Gasket, Pump	-----	-----	-----	-----	-----	-----	-----
73	Plunger Ass'y, Starter	-----	-----	-----	-----	-----	-----	-----
74	Screw (Plunger Ass'y)	-----	-----	-----	-----	-----	-----	-----
75	Lever, Throttle	-----	-----	-----	-----	-----	-----	-----
76	Spring	-----	-----	-----	-----	-----	-----	-----

PARTS LIST

C1Q TYPE

REF	PART NAME	C1Q SK8	C1Q SK9	C1Q SK10	C1Q SK15	C1Q SK16	C1Q W2A	C1Q W5.A-C
	Venturi	11 mm	11 mm	13.5 mm	14 mm	14 mm	11 mm	12.5 mm
★	Rebuild Kit	RB-68	RB-68	RB-68	RB-68	RB-68	RB-39	RB-38
●	Gasket & Diaphragm Kit	GND-17	GND-17	GND-17	GND-17	GND-17	GND-27	GND-27
▲	Cover Kit, Pump	-----	-----	-----	-----	-----	K017015	K017036
■	Base Kit, Primer	K056039	K056039	K056039	K056039	K056039	-----	-----
	Oil Pump Kit	-----	-----	-----	-----	-----	-----	-----
1	Strainer	★ 0004004	★ 0004004	★ 0004004	★ 0004004	★ 0004004	★ 0004009	★ 0004009
2	Strainer	-----	-----	-----	-----	-----	-----	0004002
3	Strainer	-----	-----	-----	-----	-----	-----	-----
4	Plug, Welch	★ 0005010	★ 0005010	★ 0005010	★ 0005010	★ 0005010	★ 0005005	★ 0005005
5	Plug, Welch	-----	-----	-----	-----	-----	-----	-----
6	Valve, Check	-----	-----	-----	-----	-----	-----	-----
7	Retainer, Check Valve	-----	-----	-----	-----	-----	-----	-----
8	Retainer, Syringe	0009015	0009015	0009021	0009015	0009015	-----	-----
9	Nozzle Ass'y, Check Valve	A007065	A007065	A007138	A007133	A007133	A007022	A007028
10	Shaft Ass'y, Throttle	A011072	A011072	A011072	A011072	A011072	A011053	A011239
11	Lever, Throttle	-----	-----	-----	-----	-----	-----	0012106
12	Spring, Throttle Return	0013016	0013016	0013016	0013016	0013016	0013016	0013016
13	Valve, Throttle	0014004	0014004	0014004	0014004	0014038	0014004	0014029
14	Diaphragm Ass'y, Metering	★● A015010	★● A015010	★● A015010	★● A015010	★● A015010	★● A015010	★● A015010
15	Diaphragm, Pump	★● 0015051	★● 0015051	★● 0015051	★● 0015051	★● 0015051	★● 0015050	★● 0015038
16	Diaphragm, Surge	-----	-----	-----	-----	-----	-----	-----
17	Gasket, Metering Chamber	★● 0016018	★● 0016018	★● 0016018	★● 0016018	★● 0016018	★● 0016019	★● 0016019
18	Gasket, Pump	★● 0016046	★● 0016046	★● 0016046	★● 0016046	★● 0016046	★● 0016033	★● 0016033
19	Cover, Pump	-----	-----	-----	-----	-----	▲	▲ 0017025
20	Valve, Inlet Needle	★ 0018004	★ 0018004	★ 0018004	★ 0018004	★ 0018004	★ 0018004	★ 0018004
21	Spring, Metering Lever	★ 0019002	★ 0019002	★ 0019002	★ 0019002	★ 0019002	★ 0019014	★ 0019002
22	Lever, Metering	★ 0020012	★ 0020012	★ 0020012	★ 0020012	★ 0020012	★ 0020012	★ 0020012
23	Pin	★ 0021001	★ 0021001	★ 0021001	★ 0021001	★ 0021001	★ 0021001	★ 0021001
24	Cover, Metering Chamber	0028015	0028022	0028015	0028022	0028022	0028022	0028022
25	Spring, Adjust Screw	0029005	0029005	0029005	0029005	0029005	0029003	0029005
26	Spring, Adjust Screw	-----	-----	-----	-----	-----	-----	▲ 0029007
27	Screw, Main Mixture	0030039	0030081	0030054	0030163	0030163	0030034	0030032
28	Screw, Idle Mixture	0031040	0031095	0031054	0031163	0031162	K031007	0031104
29	Screw, Throttle Adjust	■ 0035007	■ 0035007	■ 0035007	■ 0035007	■ 0035007	▲	▲ 0035033
30	Piece, Friction	■ 0036001	■ 0036001	■ 0036001	■ 0036001	■ 0036001	▲	▲ 0036001
31	Spring, Friction	-----	-----	-----	-----	-----	-----	-----
32	Shaft Ass'y, Choke	-----	-----	-----	-----	-----	-----	A041048
33	Valve, Choke	-----	-----	-----	-----	-----	-----	0043019
34	Post	0045002	0045002	0045002	0045002	0045002	-----	-----
35	Collar	-----	-----	-----	-----	-----	-----	-----
36	Plunger	-----	-----	-----	-----	-----	-----	0053005
37	Spring (Plunger Return)	-----	-----	-----	-----	-----	-----	0054025
38	Base Ass'y, Primer	■ A056089	■ A056089	■ A056089	■ A056089	■ A056089	-----	-----
39	Syringe	0057003	0057003	0057004	0057004	0057004	-----	-----
40	Screw (Pin)	14803006	14803006	14803006	14803006	14803006	14803006	14803006
41	Screw (Throttle Valve)	15603004	15603004	15603004	15603004	15603004	15603004	15603004
42	Screw (Choke Valve)	-----	-----	-----	-----	-----	-----	15603004
43	Screw (Post)	-----	-----	-----	-----	-----	-----	15603004
44	Screw (Metering Cover)	17203006	17203006	17203006	17203006	17203006	17203006	17203006
45	Screw (Pump Cover)	17104015	17104015	17104015	17104015	17104015	17004010	17004010
46	Screw (Throttle Lever)	-----	-----	-----	-----	-----	-----	17103004
47	Ball, Steel	-----	-----	-----	-----	-----	-----	-----
48	E-Ring (Throttle Shaft)	19500030	19500030	19500030	19500030	19500030	19500030	19500040
49	E-Ring (Post)	19500040	19500040	19500040	19500040	19500040	-----	-----
50	O-Ring (Plunger)	-----	-----	-----	-----	-----	-----	195503010
51	Screw, Retainer	-----	-----	-----	-----	-----	-----	-----
52	E-Ring (Choke Shaft)	-----	-----	-----	-----	-----	-----	-----
53	Limiter, Mixture (H)	-----	0061009	-----	0061005	0061009	-----	-----
54	Limiter, Mixture (L)	-----	0061010	-----	-----	0061010	-----	-----
55	Washer (Limiter)	-----	-----	-----	0026014	0026014	-----	-----
56	Retainer (Limiter)	-----	-----	-----	-----	-----	-----	-----
57	Spring, Choke	-----	-----	-----	-----	-----	-----	0013030
58	Lever, Choke Control	-----	-----	-----	-----	-----	-----	0042078
59	Lever, Choke	-----	-----	-----	-----	-----	-----	-----
60	Collar, Choke Shaft	-----	-----	-----	-----	-----	-----	-----
61	Screw, Choke Shaft	-----	-----	-----	-----	-----	-----	16403006
62	Governor Ass'y	-----	-----	-----	A059036	-----	-----	-----
63	Washer (Governor)	-----	0026014	-----	0026011	-----	-----	-----
64	Washer (Post)	-----	-----	-----	-----	-----	-----	-----
65	Remote Jet	-----	-----	-----	-----	-----	-----	-----
66	Boot, Retainer	-----	-----	-----	-----	-----	-----	-----
67	O-Ring (Metering Cover)	-----	-----	-----	-----	-----	-----	-----
68	Body, Kit Pump	-----	-----	-----	-----	-----	-----	-----
69	Spring, Pump	-----	-----	-----	-----	-----	-----	-----
70	Retainer Spring	-----	-----	-----	-----	-----	-----	-----
71	Diaphragm, Pump	-----	-----	-----	-----	-----	-----	-----
72	Gasket, Pump	-----	-----	-----	-----	-----	-----	-----
73	Plunger Ass'y, Starter	-----	-----	-----	-----	-----	-----	-----
74	Screw (Plunger Ass'y)	-----	-----	-----	-----	-----	-----	-----
75	Lever, Throttle	-----	-----	-----	-----	-----	-----	-----
76	Spring	-----	-----	-----	-----	-----	-----	-----

PARTS LIST

C1Q TYPE

REF	PART NAME	C1Q W6.A-C	C1Q W8	C1Q W9.A-E	C1Q W11.A-G	C1Q W14.A	C1Q W15	C1Q W20.A-B
	Venturi	12.5 mm	11mm	11mm	10mm	11 mm	14 mm	11 mm
★	Rebuild Kit	RB-38	RB-72	RB-72	RB-47	RB-41	RB-38	RB-41
●	Gasket & Diaphragm Kit	GND-27	GND-27	GND-27	GND-18	GND-27	GND-27	GND-27
▲	Cover Kit, Pump	K017036	K017068	K017068	-----	K017068	K017068	K017068
■	Base Kit, Primer	-----	-----	-----	-----	-----	-----	-----
	Oil Pump Kit	-----	-----	-----	-----	-----	-----	-----
1	Strainer	★ 0004009	★ 0004011	★ 0004011	★ 0004032	★ 0004011	★ 0004009	★ 0004011
2	Strainer	0004002	-----	0004002	-----	0004002	0004002	0004002
3	Strainer	-----	-----	-----	-----	-----	-----	-----
4	Plug, Welch	★ 0005005	★ 0005010	★ 0005010	★ 0005004	★ 0005010	★ 0005004	★ 0005010
5	Plug, Welch	-----	-----	-----	-----	-----	-----	-----
6	Valve, Check	-----	-----	-----	-----	-----	-----	-----
7	Retainer, Check Valve	-----	-----	-----	-----	-----	-----	-----
8	Retainer, Syringe	-----	-----	-----	0009015	-----	-----	-----
9	Nozzle Ass'y, Check Valve	A007028	A007167	A007200	A007164	A007200	A007167	A007200
10	Shaft Ass'y, Throttle	A011239	A011162	A011239	A011121	A011185	A011108	A011196
11	Lever, Throttle	0012106	-----	0012149	0012161	-----	0012149	0012193
12	Spring, Throttle Return	0013016	0013016	0013016	0013073	0013016	0013016	0013016
13	Valve, Throttle	0014029	0014040	0014089	0014020	0014089	0014040	0014089
14	Diaphragm Ass'y, Metering	★● A015010	★● A015010	★● A015010	★● A015010	★● A015010	★● A015010	★● A015010
15	Diaphragm, Pump	★● 0015038	★● 0015050	★● 0015050	★● 0015051	★● 0015050	★● 0015050	★● 0015050
16	Diaphragm, Surge	-----	-----	-----	-----	-----	-----	-----
17	Gasket, Metering Chamber	★● 0016019	★● 0016019	★● 0016019	★● 0016019	★● 0016019	★● 0016019	★● 0016019
18	Gasket, Pump	★● 0016033	★● 0016033	★● 0016033	★● 0016046	★● 0016033	★● 0016033	★● 0016033
19	Cover, Pump	▲ 0017025	▲ 0017025	▲ 0017025	-----	▲ 0017025	▲ 0017025	▲ 0017025
20	Valve, Inlet Needle	★ 0018004	★ 0018004	★ 0018004	★ 0018004	★ 0018004	★ 0018004	★ 0018004
21	Spring, Metering Lever	★ 0019002	★ 0019002	★ 0019002	★ 0019002	★ 0019012	★ 0019002	★ 0019012
22	Lever, Metering	★ 0020012	★ 0020012	★ 0020012	★ 0020012	★ 0020012	★ 0020012	★ 0020012
23	Pin	★ 0021001	★ 0021001	★ 0021001	★ 0021001	★ 0021001	★ 0021001	★ 0021001
24	Cover, Metering Chamber	0028022	0028022	0028038	0028022	0028038	0028022	0028038
25	Spring, Adjust Screw	0029005	-----	-----	-----	-----	-----	-----
26	Spring, Adjust Screw	▲ 0029007	▲ 0029033	▲ 0029033	-----	▲ 0029033	▲ 0029033	▲ 0029033
27	Screw, Main Mixture	0031133	0030172	0030197	0030209	0030197	0030172	0030197
28	Screw, Idle Mixture	0030139	0031173	0031197	0031212	0031197	0031173	0031197
29	Screw, Throttle Adjust	▲ 0035033	▲ 0035033	▲ 0035033	-----	▲ 0035033	▲ 0035033	▲ 0035033
30	Piece, Friction	▲ 0036001	▲ 0036001	▲ 0036001	-----	▲ 0036001	▲ 0036001	▲ 0036001
31	Spring, Friction	-----	0038001	0038001	0038001	0038001	0038001	0038001
32	Shaft Ass'y, Choke	A041048	A041082	A041084	0041148	A041082	A041084	A041097
33	Valve, Choke	0043019	0043007	0043007	0043053	0043007	0043019	0043007
34	Post	-----	-----	-----	-----	-----	-----	-----
35	Collar	-----	-----	-----	-----	-----	-----	0052004
36	Plunger	0053005	-----	0053005	-----	0053005	0053005	0053005
37	Spring (Plunger Return)	0054025	-----	0054025	-----	0054025	0054025	0054025
38	Base Ass'y, Primer	-----	-----	-----	A056082	-----	-----	-----
39	Syringe	-----	-----	-----	★ 0057025	-----	-----	-----
40	Screw (Pin)	14803006	14803006	14803006	14803006	14803006	14803006	14803006
41	Screw (Throttle Valve)	15603004	156030045	156030045	156030045	156030045	156030045	156030045
42	Screw (Choke Valve)	156030045	156030045	156030045	-----	156030045	156030045	156030045
43	Screw (Post)	-----	-----	-----	-----	-----	-----	-----
44	Screw (Metering Cover)	17203006	17203006	17203006	17203006	17203006	17203006	17203006
45	Screw (Pump Cover)	17004010	17004010	17004010	-----	17004010	17004010	17004010
46	Screw (Throttle Lever)	17103004	-----	17103004	-----	-----	17103004	17103004
47	Ball, Steel	-----	19290030	19290030	19290030	19290030	19290030	19290030
48	E-Ring (Throttle Shaft)	19500040	19500030	19500040	19500030	19500030	19500040	19500040
49	E-Ring (Post)	-----	-----	-----	-----	-----	-----	-----
50	O-Ring (Plunger)	195503010	-----	195503010	-----	195503010	195503010	195503010
51	Screw, Retainer	-----	-----	-----	17104015	-----	-----	-----
52	E-Ring (Choke Shaft)	-----	-----	-----	-----	-----	-----	-----
53	Limit, Mixture (H)	-----	-----	-----	-----	-----	-----	-----
54	Limit, Mixture (L)	-----	-----	-----	-----	-----	-----	-----
55	Washer (Limit)	-----	-----	-----	-----	-----	-----	-----
56	Retainer (Limit)	-----	-----	-----	-----	-----	-----	-----
57	Spring, Choke	0013030	-----	0013071	-----	-----	0013071	0013087
58	Lever, Choke Control	0042078	-----	0042088	-----	-----	-----	-----
59	Lever, Choke	-----	-----	-----	-----	-----	0042088	0042131
60	Collar, Choke Shaft	-----	-----	-----	-----	-----	-----	-----
61	Screw, Choke Shaft	16403006	-----	16503006	-----	-----	16403006	-----
62	Governor Ass'y	-----	-----	-----	-----	-----	-----	-----
63	Washer (Governor)	-----	-----	-----	-----	-----	-----	-----
64	Washer (Post)	-----	-----	-----	-----	-----	-----	-----
65	Remote Jet	-----	-----	-----	-----	-----	-----	-----
66	Boot, Retainer	-----	-----	-----	-----	-----	-----	-----
67	O-Ring (Metering Cover)	-----	-----	-----	-----	-----	-----	-----
68	Body, Kit Pump	-----	-----	-----	-----	-----	-----	-----
69	Spring, Pump	-----	-----	-----	-----	-----	-----	-----
70	Retainer Spring	-----	-----	-----	-----	-----	-----	-----
71	Diaphragm, Pump	-----	-----	-----	-----	-----	-----	-----
72	Gasket, Pump	-----	-----	-----	-----	-----	-----	-----
73	Plunger Ass'y, Starter	-----	-----	-----	-----	-----	-----	-----
74	Screw (Plunger Ass'y)	-----	-----	-----	-----	-----	-----	-----
75	Lever, Throttle	-----	-----	-----	-----	-----	-----	-----
76	Spring	-----	-----	-----	-----	-----	-----	-----

PARTS LIST

C1Q TYPE

REF	PART NAME	C1Q W29.A-E	C1Q W31.A-B	C1Q W34.A	C1Q W35.A	C1Q W36.A	C1Q W37	C1Q W38
	Venturi	14 mm	10mm	10mm	10mm	10mm	10mm	10mm
★	Rebuild Kit	RB-38	RB-47	RB-47	RB-47	RB-47	RB-47	RB-47
●	Gasket & Diaphragm Kit	GND-27	GND-18	GND-18	GND-18	GND-18	GND-18	GND-18
▲	Cover Kit, Pump	K017036	-----	-----	-----	-----	-----	-----
■	Base Kit, Primer	-----	-----	-----	-----	-----	-----	-----
	Oil Pump Kit	-----	-----	-----	-----	-----	-----	-----
1	Strainer	★ 0004011	★ 0004032	★ 0004032	★ 0004032	★ 0004032	★ 0004032	★ 0004032
2	Strainer	0004002	0004005	0004005	0004005	0004005	-----	0004005
3	Strainer	-----	-----	-----	-----	-----	-----	-----
4	Plug, Welch	★ 0005004	★ 0005004	★ 0005004	★ 0005004	★ 0005004	★ 0005004	★ 0005004
5	Plug, Welch	-----	-----	-----	-----	-----	-----	-----
6	Valve, Check	-----	-----	-----	-----	-----	-----	-----
7	Retainer, Check Valve	-----	-----	-----	-----	-----	-----	-----
8	Retainer, Syringe	-----	0009015	0009015	0009015	0009015	-----	0009015
9	Nozzle Ass'y, Check Valve	A007200	A007197	A007197	A007197	A007197	A007197	A007197
10	Shaft Ass'y, Throttle	A011239	A011230	A011230	A011242	A011242	A011259	A011230
11	Lever, Throttle	0012238	0012256	0012098	0012256	0012256	0012295	0012096
12	Spring, Throttle Return	0013016	0013078	0013078	0013016	0013016	0013016	0013703
13	Valve, Throttle	0014121	0014033	0014033	0014033	0014033	0014033	0014033
14	Diaphragm Ass'y, Metering	★● A015010	★● A015010	★● A015010	★● A015010	★● A015010	★● A015010	★● A015010
15	Diaphragm, Pump	★● 0015050	★● 0015051	★● 0015051	★● 0015051	★● 0015051	★● 0015051	★● 0015051
16	Diaphragm, Surge	-----	-----	-----	-----	-----	-----	-----
17	Gasket, Metering Chamber	★● 0016019	★● 0016019	★● 0016019	★● 0016019	★● 0016019	★● 0016019	★● 0016019
18	Gasket, Pump	★● 0016033	★● 0016046	★● 0016046	★● 0016046	★● 0016046	★● 0016046	★● 0016046
19	Cover, Pump	▲ 0017025	-----	-----	-----	-----	K017040	-----
20	Valve, Inlet Needle	★ 0018004	★ 0018004	★ 0018004	★ 0018004	★ 0018004	★ 0018004	★ 0018004
21	Spring, Metering Lever	★ 0019002	★ 0019002	★ 0019002	★ 0019002	★ 0019002	★ 0019002	★ 0019002
22	Lever, Metering	★ 0020012	★ 0020012	★ 0020012	★ 0020012	★ 0020012	★ 0020012	★ 0020012
23	Pin	★ 0021001	★ 0021001	★ 0021001	★ 0021001	★ 0021001	★ 0021001	★ 0021001
24	Cover, Metering Chamber	0028038	0028022	0028022	0028022	0028022	0028022	0028022
25	Spring, Adjust Screw	-----	-----	-----	-----	-----	-----	-----
26	Spring, Adjust Screw	▲ 0029007	-----	-----	-----	-----	-----	-----
27	Screw, Main Mixture	0030197	0030238	0030243	0030238	0030243	0030238	0030238
28	Screw, Idle Mixture	0031197	0031212	0031243	0031212	0031243	0031212	0031212
29	Screw, Throttle Adjust	▲ 0035033	-----	-----	-----	-----	-----	-----
30	Piece, Friction	▲ 0036001	-----	-----	-----	-----	-----	-----
31	Spring, Friction	0038001	-----	-----	-----	-----	0038001	0038001
32	Shaft Ass'y, Choke	A041084	A041120	A041120	A041120	A041120	0041156	A041125
33	Valve, Choke	0043019	0043064	0043064	0043064	0043064	0043051	0043051
34	Post	-----	-----	-----	-----	-----	-----	-----
35	Collar	-----	0052013	0052013	0052013	0052013	-----	-----
36	Plunger	0053005	0053044	K053015	K053015	K053015	-----	0053044
37	Spring (Plunger Return)	0054025	0054057	0054057	0054057	0054057	-----	0054057
38	Base Ass'y, Primer	-----	K056037	K056037	K056037	K056037	-----	K056037
39	Syringe	-----	★ 0057025	★ 0057025	★ 0057025	★ 0057025	-----	★ 0057025
40	Screw (Pin)	14803006	14803006	14803006	14803006	14803006	14803006	14803006
41	Screw (Throttle Valve)	156030045	156030045	156030045	156030045	156030045	156030045	156030045
42	Screw (Choke Valve)	156030045	-----	-----	-----	-----	-----	-----
43	Screw (Post)	-----	-----	-----	-----	-----	-----	-----
44	Screw (Metering Cover)	17203006	17203006	17203006	17203006	17203006	17203006	17203006
45	Screw (Pump Cover)	17004010	-----	-----	-----	-----	-----	-----
46	Screw (Throttle Lever)	17103004	17103004	17103004	17103004	17103004	17103004	17103004
47	Ball, Steel	19290030	-----	-----	-----	-----	19290030	19290030
48	E-Ring (Throttle Shaft)	19500040	19500040	19500040	19500040	19500040	19500040	19500040
49	E-Ring (Post)	-----	-----	-----	-----	-----	-----	-----
50	O-Ring (Plunger)	195503010	195502308	-----	-----	-----	-----	195502308
51	Screw, Retainer	-----	17104015	17104015	17104015	17104015	17104010	17104015
52	E-Ring (Choke Shaft)	-----	19510040	19510040	19510040	19510040	19510040	19510040
53	Limiters, Mixture (H)	-----	-----	-----	-----	-----	-----	-----
54	Limiters, Mixture (L)	-----	-----	-----	-----	-----	-----	-----
55	Washer (Limiters)	-----	-----	-----	-----	-----	-----	-----
56	Retainer (Limiters)	-----	-----	-----	-----	-----	-----	-----
57	Spring, Choke	0013071	0013071	0013071	0013071	0013071	-----	-----
58	Lever, Choke Control	0042088	0042157	0042157	0042157	0042157	-----	-----
59	Lever, Choke	-----	0042149	0042149	0042149	0042149	0042175	0042149
60	Collar, Choke Shaft	-----	-----	-----	-----	-----	-----	-----
61	Screw, Choke Shaft	16403006	-----	-----	-----	-----	-----	-----
62	Governor Ass'y	-----	-----	-----	-----	-----	-----	-----
63	Washer (Governor)	-----	-----	-----	-----	-----	-----	-----
64	Washer (Post)	-----	-----	-----	-----	-----	-----	-----
65	Remote Jet	-----	-----	-----	-----	-----	-----	-----
66	Boot, Retainer	-----	-----	-----	-----	-----	-----	-----
67	O-Ring (Metering Cover)	-----	-----	-----	-----	-----	-----	-----
68	Body, Kit Pump	-----	-----	-----	-----	-----	-----	-----
69	Spring, Pump	-----	-----	-----	-----	-----	-----	-----
70	Retainer Spring	-----	-----	-----	-----	-----	-----	-----
71	Diaphragm, Pump	-----	-----	-----	-----	-----	-----	-----
72	Gasket, Pump	-----	-----	-----	-----	-----	-----	-----
73	Plunger Ass'y, Starter	-----	-----	-----	-----	-----	-----	-----
74	Screw (Plunger Ass'y)	-----	-----	-----	-----	-----	-----	-----
75	Lever, Throttle	-----	-----	0012256	-----	-----	-----	-----
76	Spring	-----	-----	-----	-----	-----	-----	-----

PARTS LIST

C1Q TYPE

REF	PART NAME	C1Q W39	C1Q W40A	C1Q W41A	C1Q Z4	C1Q Z5	C1Q Z6.A	C1Q Z7A
	Venturi	10mm	10mm	10mm	13.5mm	12.5mm	9.5mm	9.5mm
★	Rebuild Kit	RB-47	RB-47	RB-47	RB-72	RB-72	RB-120	RB-120
●	Gasket & Diaphragm Kit	GND-18	GND-18	GND-18	GND-35	GND-35	GND-27	GND-27
▲	Cover Kit, Pump	-----	-----	-----	K017041	K017041	K017039	K017039
■	Base Kit, Primer	-----	-----	-----	-----	-----	-----	-----
	Oil Pump Kit	-----	-----	-----	-----	-----	-----	-----
1	Strainer	★ 0004032	★ 0004032	★ 0004032	★ 0004011	★ 0004011	★ 0004011	★ 0004011
2	Strainer	0004005	0004005	0004005				
3	Strainer	-----	-----	-----	-----	-----	-----	-----
4	Plug, Welch	★ 0005004	★ 0005004	★ 0005004	★ 0005010	★ 0005010	★ 0005010	★ 0005010
5	Plug, Welch	-----	-----	-----	0005009	0005009		
6	Valve, Check	-----	-----	-----	-----	-----	-----	-----
7	Retainer, Check Valve	-----	-----	-----	-----	-----	-----	-----
8	Retainer, Syringe	0009015	0009015	0009015				
9	Nozzle Ass'y, Check Valve	A007197	A007197	A007197	A007169	A007169	A007169	A007169
10	Shaft Ass'y, Throttle	A011230	A011242	A011242	A011200	A011200	A011202	A011276
11	Lever, Throttle	0012096	0012096	0012096	0012208	0012208	0012196	0012307
12	Spring, Throttle Return	0013703	0013703	0013703	0013078	0013078	0013080	0013078
13	Valve, Throttle	0014033	0014033	0014033	0014032	0014032	0014037	0014037
14	Diaphragm Ass'y, Metering	★● A015010	★● A015010	★● A015010	★● A015010	★● A015010	★● A015010	★● A015010
15	Diaphragm, Pump	★● 0015051	★● 0015051	★● 0015051	★● 0015050	★● 0015050	★● 0015038	★● 0015038
16	Diaphragm, Surge	-----	-----	-----	-----	-----	-----	-----
17	Gasket, Metering Chamber	★● 0016019	★● 0016019	★● 0016019	★● 0016019	★● 0016019	★● 0016019	★● 0016019
18	Gasket, Pump	★● 0016046	★● 0016046	★● 0016046	★● 0016033	★● 0016033	★● 0016033	★● 0016033
19	Cover, Pump	-----	-----	-----	▲ 0017025	▲ 0017025	▲ 0017025	▲ 0017025
20	Valve, Inlet Needle	★ 0018004	★ 0018004	★ 0018004	★ 0018004	★ 0018004	★ 0018004	★ 0018004
21	Spring, Metering Lever	★ 0019002	★ 0019002	★ 0019002	★ 0019002	★ 0019002	★ 0019009	★ 0019009
22	Lever, Metering	★ 0020012	★ 0020012	★ 0020012	★ 0020012	★ 0020012	★ 0020012	★ 0020012
23	Pin	★ 0021001	★ 0021001	★ 0021001	★ 0021001	★ 0021001	★ 0021001	★ 0021001
24	Cover, Metering Chamber	0028022	0028022	0028022	0028022	0028022	0028022	0028022
25	Spring, Adjust Screw	-----	-----	-----	-----	-----	-----	-----
26	Spring, Adjust Screw	-----	-----	-----	-----	-----	-----	-----
27	Screw, Main Mixture	0030243	0030238	0030243	0030179	0030179	0030211	0030211
28	Screw, Idle Mixture	0031243	0031212	0031243	0031175	0031175	0031214	0031219
29	Screw, Throttle Adjust	-----	-----	-----	▲ 0035035	▲ 0035035	▲ 0035033	▲ 0035033
30	Piece, Friction	-----	-----	-----	▲ 0036001	▲ 0036001	▲ 0036001	▲ 0036001
31	Spring, Friction	0038001	0038001	0038001	0038001	0038001	-----	0038001
32	Shaft Ass'y, Choke	A041125	A041125	A041125	A041099	A041099	A041100	A041136
33	Valve, Choke	0043051	0043079	0043079	0043056	0043056	0043007	0043007
34	Post	-----	-----	-----	0045002	0045002	-----	-----
35	Collar	-----	-----	-----	0052014	0052014	0052009	0052009
36	Plunger	0053044	0053044	0053044	0053005	0053008	0053008	0053008
37	Spring (Plunger Return)	0054057	0054057	0054057	0054025	0054025	0054025	0054025
38	Base Ass'y, Primer	K056037	K056701	K056701	-----	-----	-----	-----
39	Syringe	★ 0057025	★ 0057025	★ 0057025	-----	-----	-----	-----
40	Screw (Pin)	14803006	14803006	14803006	14803006	14803006	14803006	14803006
41	Screw (Throttle Valve)	156030045	156030045	156030045	15603004	15603004	156030045	156030045
42	Screw (Choke Valve)	-----	-----	-----	156030045	156030045	-----	-----
43	Screw (Post)	-----	-----	-----	-----	-----	-----	-----
44	Screw (Metering Cover)	17203006	17203006	17203006	17203006	17203006	17203006	17203006
45	Screw (Pump Cover)	-----	-----	-----	17004010	17004010	17004010	17004010
46	Screw (Throttle Lever)	17103004	17103004	17103004	17103004	17103004	17103004	17103004
47	Ball, Steel	19290030	19290030	19290030	19290030	19290030	19290030	19290030
48	E-Ring (Throttle Shaft)	19500040	19500040	19500040	19500040	19500040	19500030	19500030
49	E-Ring (Post)	-----	-----	-----	-----	-----	-----	-----
50	O-Ring (Plunger)	195502308	195502308	195502308	195503010	195703510	195703510	195703510
51	Screw, Retainer	17104015	17104015	17104015	-----	-----	-----	-----
52	E-Ring (Choke Shaft)	19510040	19510040	19510040	-----	-----	-----	-----
53	Limiter, Mixture (H)	-----	-----	-----	0061025	0061025	K061001	K061001
54	Limiter, Mixture (L)	-----	-----	-----	0061026	0061026	K061001	K061001
55	Washer (Limiter)	-----	-----	-----	0026014	0026014	-----	-----
56	Retainer (Limiter)	-----	-----	-----	0009028	0009028	-----	-----
57	Spring, Choke	-----	-----	-----	0013084	0013084	0013088	0013114
58	Lever, Choke Control	-----	-----	-----	-----	-----	-----	0042022
59	Lever, Choke	0042149	0042149	0042149	-----	-----	-----	-----
60	Collar, Choke Shaft	-----	-----	-----	-----	-----	-----	0052005
61	Screw, Choke Shaft	-----	-----	-----	-----	-----	-----	-----
62	Governor Ass'y	-----	-----	-----	-----	-----	-----	-----
63	Washer (Governor)	-----	-----	-----	-----	-----	-----	-----
64	Washer (Post)	-----	-----	-----	-----	-----	-----	-----
65	Remote Jet	-----	-----	-----	-----	-----	-----	-----
66	Boot, Retainer	-----	-----	-----	0051027	0051027	-----	-----
67	O-Ring (Metering Cover)	-----	-----	-----	-----	-----	-----	-----
68	Body, Kit Pump	-----	-----	-----	-----	-----	-----	-----
69	Spring, Pump	-----	-----	-----	-----	-----	-----	-----
70	Retainer Spring	-----	-----	-----	-----	-----	-----	-----
71	Diaphragm, Pump	-----	-----	-----	-----	-----	-----	-----
72	Gasket, Pump	-----	-----	-----	-----	-----	-----	-----
73	Plunger Ass'y, Starter	-----	-----	-----	-----	-----	-----	-----
74	Screw (Plunger Ass'y)	-----	-----	-----	-----	-----	-----	-----
75	Lever, Throttle	-----	-----	-----	-----	-----	-----	-----
76	Spring	-----	-----	-----	-----	-----	-----	-----

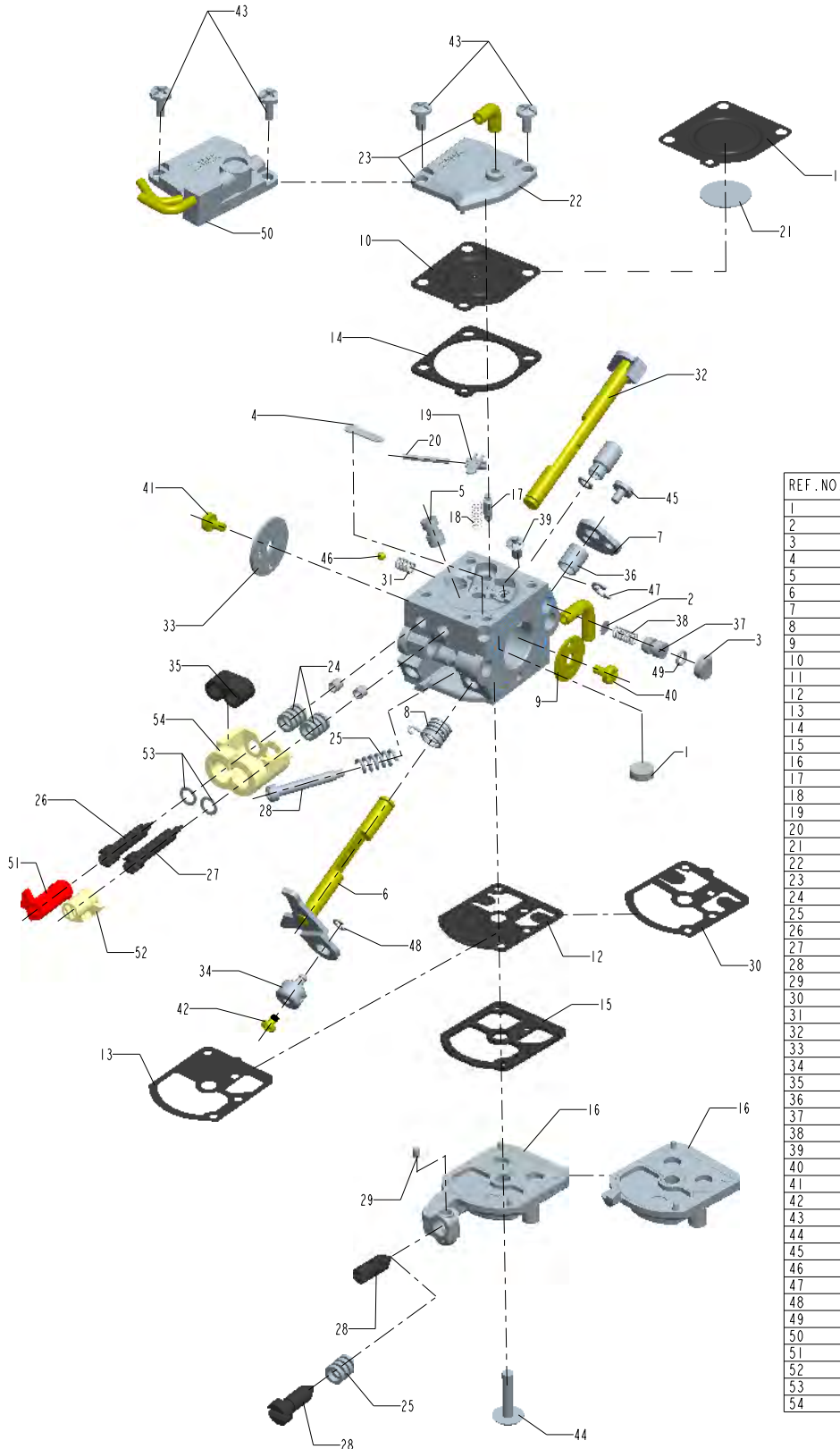
PARTS LIST



C1S TYPE

* THIS ILLUSTRATION DOES NOT REPRESENT EVERY MODEL. THIS IS INTENDED FOR A GENERIC REFERENCE ONLY.

C1S TYPE



REF. NO.	PART NAME
1	STRAINER
2	STRAINER
3	STRAINER
4	PLUG, WELCH
5	NOZZLE ASS'Y, CHECK VALVE
6	SHAFT ASS'Y, THROTTLE
7	LEVER, THROTTLE
8	SPRING, THROTTLE RETURN
9	VALVE, THROTTLE
10	DIAPHRAGM ASS'Y, METERING
11	DIAPHRAGM, METERING
12	DIAPHRAGM, PUMP
13	DIAPHRAGM, SURGE
14	GASKET, METERING CHAMBER
15	GASKET, PUMP
16	COVER, PUMP
17	VALVE, INLET NEEDLE
18	SPRING, METERING LEVER
19	LEVER, METERING
20	PIN
21	DISK
22	COVER, METERING CHAMBER
23	COVER ASS'Y, METERING CHAMBER
24	SPRING, ADJUST SCREW
25	SPRING, ADJUST SCREW
26	SCREW, MAIN MIXTURE
27	SCREW, IDLE MIXTURE
28	SCREW, THROTTLE ADJUST
29	PIECE FRICTION
30	RETAINER, PUMP VALVE
31	SPRING, FRICTION
32	SHAFT ASS'Y, CHOKE
33	VALVE, CHOKE
34	POST
35	BOOT
36	COLLAR
37	PLUNGER
38	SPRING (PLUNGER RETURN)
39	SCREW (PIN)
40	SCREW (THROTTLE VALVE)
41	SCREW (CHOKE VALVE)
42	SCREW (POST)
43	SCREW (METERING COVER)
44	SCREW, PUMP COVER
45	SCREW (THROTTLE LEVER)
46	BALL, STEEL
47	E-RING (THROTTLE SHAFT)
48	E-RING (POST)
49	O-RING (PLUNGER)
50	BASE ASS'Y, PRIMER
51	LIMITER, MIXTURE (H)
52	LIMITER, MIXTURE (L)
53	WASHER (LIMITER)
54	RETAINER (LIMITER)

PARTS LIST

C1S TYPE

REF	PART NAME	C1S E1	C1S E2	C1S H2A	C1S H3	C1S H4A	C1S H4B-C	C1S H6A
		11 mm	11 mm	8 mm	12.6 mm	14.6 mm	14.6 mm	7.2 mm
★	Rebuild Kit	RB-2	RB-2	RB-3	RB-3	RB-5	RB-5	RB-3
●	Gasket & Diaphragm Kit	GND-2	GND-2	GND-2	GND-2	GND-2	GND-2	GND-2
▲	Cover Kit, Pump	K017006	K017006	-----	K017007	K017006	K017027	-----
1	Strainer	★ 0004004	★ 0004004	★ 0004001	★ 0004001	★ 0004001	★ 0004001	★ 0004001
2	Strainer	0004002	-----	-----	-----	-----	-----	-----
3	Strainer	-----	-----	-----	-----	-----	-----	-----
4	Plug, Welch	★ 0005006	★ 0005006	★ 0005004	★ 0005004	★ 0005001	★ 0005001	★ 0005004
5	Nozzle Ass'y, Check Valve	A007028	A007028	A007012	A007013	A007010	A007010	A007014
6	Shaft Ass'y, Throttle	A011042	A011043	A011009	A011014	A011017	A011017	A011009
7	Lever, Throttle	-----	-----	-----	0012023	0012017	0012017	-----
8	Spring, Throttle Return	0013014	0013014	0013009	0013005	0013005	0013005	0013009
9	Valve, Throttle	0014008	0014008	0014007	0014008	0014004	0014004	0014007
10	Diaphragm Ass'y, Metering	★● A015006	★● A015006	-----	-----	★● A015006	★● A015006	-----
11	Diaphragm, Metering	-----	-----	★● 0015014	★● 0015014	-----	-----	★● 0015014
12	Diaphragm, Pump	★● 0015030V	★● 0015030V	-----	★● 0015030V	★● 0015030V	★● 0015052	-----
13	Diaphragm, Surge	-----	-----	-----	★● 0015015	★● 0015015	★● 0015015	-----
14	Gasket, Metering Chamber	★● 0016014	★● 0016014	★● 0016014	★● 0016014	★● 0016014	★● 0016014	★● 0016014
15	Gasket, Pump	★● 0016015	★● 0016015	-----	★● 0016015	★● 0016015	★● 0016015	-----
16	Cover, Pump	▲ 0017011	▲ 0017011	-----	▲ 0017011	▲ 0017011	▲ 0017011	-----
17	Valve, Inlet Needle	★ 0018002	★ 0018002	★ 0018002	★ 0018002	★ 0018002	★ 0018002	★ 0018002
18	Spring, Metering Lever	★ 0019002	★ 0019002	★ 0019002	★ 0019002	★ 0019007	★ 0019007	★ 0019002
19	Lever, Metering	★ 0020002	★ 0020002	★ 0020008	★ 0020008	★ 0020002	★ 0020002	★ 0020008
20	Pin	★ 0021001	★ 0021001	★ 0021001	★ 0021001	★ 0021001	★ 0021001	★ 0021001
21	Disk	-----	-----	0025007	0025007	-----	-----	0025007
22	Cover, Metering Chamber	0028010	0028010	-----	0028022	0028015	0028022	-----
23	Cover Ass'y, Metering Chamber	-----	-----	A028002	-----	-----	-----	A028002
24	Spring, Adjust Screw	0029005	0029005	0029001	0029001	0029001	0029001	0029001
25	Spring, Adjust Screw	-----	-----	0029003	-----	-----	-----	0029003
26	Screw, Main Mixture	0030012	0030012	-----	0030009	0030004	0030091	-----
27	Screw, Idle Mixture	0031009	0031009	0031008	0031010	0031002	0031089	0031008
28	Screw, Throttle Adjust	▲ 0035007	▲ 0035007	0035006	▲ 0035007	▲ 0035007	▲ 0035031	0035006
29	Piece, Friction	▲ 0036001	▲ 0036001	-----	▲ 0036001	▲ 0036001	▲ 0036001	-----
30	Retainer, Pump Valve	-----	-----	-----	-----	-----	-----	-----
31	Spring, Friction	-----	-----	-----	-----	0038001	0038001	-----
32	Shaft Ass'y, Choke	-----	-----	-----	-----	A041005	A041005	-----
33	Valve, Choke	-----	-----	-----	-----	0043005	0043005	-----
34	Post	0045002	0045002	-----	-----	-----	-----	-----
35	Boot	-----	-----	-----	-----	0051001	-----	-----
36	Collar	-----	-----	-----	-----	0052001	0052001	-----
37	Plunger	0053005	-----	-----	-----	-----	-----	-----
38	Spring (Plunger Return)	0054002	-----	-----	-----	-----	-----	-----
39	Screw (Pin)	14803006	14803006	14803006	14803006	14803006	14803006	14803006
40	Screw (Throttle Valve)	15603004	15603004	15603004	15603004	15603004	15603004	15603004
41	Screw (Choke Valve)	-----	-----	-----	-----	156030045	156030045	-----
42	Screw (Post)	-----	-----	-----	-----	-----	-----	-----
43	Screw (Metering Cover)	17103007	17103007	17103007	17203006	17203006	17203006	17103007
44	Screw (Pump Cover)	17004010	17004010	-----	17004010	17004010	17004010	-----
45	Screw (Throttle Lever)	-----	-----	-----	17103004	17103004	17103004	-----
46	Ball, Steel	-----	-----	-----	-----	19290030	19290030	-----
47	E-Ring (Throttle Shaft)	19500040	19500030	19500030	19500040	-----	-----	19500030
48	E-Ring (Post)	19500040	19500040	-----	-----	-----	-----	-----
49	O-Ring (Plunger)	195503010	-----	-----	-----	-----	-----	-----
50	Base Ass'y, Primer	-----	-----	-----	-----	-----	-----	-----
51	Limiters, Mixture (H)	-----	-----	-----	-----	-----	0061025	-----
52	Limiters, Mixture (L)	-----	-----	-----	-----	-----	0061026	-----
53	Washer (Limiters)	-----	-----	-----	-----	-----	0026014	-----
54	Retainer (Limiters)	-----	-----	-----	-----	-----	0009028	-----

PARTS LIST

C1S TYPE

REF	PART NAME	C1S H7	C1S H8.A	C1S K1.A-C	C1S K1D	C1S K3.A-C	C1S K3D	C1S K6A
		12.6 mm	14.6 mm	9 mm	9 mm	11 mm	11 mm	11 mm
★	Rebuild Kit	RB-3	RB-5	RB-6	RB-7	RB-3	RB-8	RB-9
●	Gasket & Diaphragm Kit	GND-2	GND-2	GND-3	GND-4	GND-2	GND-6	GND-5
▲	Cover Kit, Pump	K017007	K017006	K017004	K017004	K017006	K017006	K017006
1	Strainer	★ 0004001	★ 0004001	★ 0004001	★ 0004004	★ 0004001	★ 0004004	★ 0004004
2	Strainer	-----	-----	0004005	0004005	0004005	0004005	0004005
3	Strainer	-----	-----	0004006	0004004	0004006	0004004	0004004
4	Plug, Welch	★ 0005004	★ 0005001	★ 0005001	★ 0005001	★ 0005004	★ 0005004	★ 0005004
5	Nozzle Ass'y, Check Valve	A007013	A007010	A007011	A007011	A007019	A007019	A007025
6	Shaft Ass'y, Throttle	A011014	A011020	A011026	A011026	A011027	A011027	A011027
7	Lever, Throttle	0012023	0012017	0012014	0012014	-----	-----	-----
8	Spring, Throttle Return	0013005	0013005	0013005	0013005	0013005	0013005	0013005
9	Valve, Throttle	0014008	0014004	0014004	0014004	0014004	0014004	0014004
10	Diaphragm Ass'y, Metering	-----	★● A015006	-----	★● A015006	-----	★● A015010	★● A015011
11	Diaphragm, Metering	★● 0015014	-----	★● 0015008	-----	★● 0015014	-----	-----
12	Diaphragm, Pump	★● 0015030V	★● 0015052	★● 0015030V	★● 0015030V	★● 0015030V	★● 0015030V	★● 0015030V
13	Diaphragm, Surge	★● 0015015	★● 0015015	★● 0015015	★● 0015015	★● 0015015	★● 0015015	★● 0015015
14	Gasket, Metering Chamber	★● 0016014	★● 0016014	★● 0016008	★● 0016019	★● 0016014	★● 0016019	★● 0016021
15	Gasket, Pump	★● 0016015	★● 0016015	★● 0016015	★● 0016015	★● 0016015	★● 0016015	★● 0016015
16	Cover, Pump	▲	▲ 0017011	▲ 0017009	▲ 0017009	▲ 0017011	▲ 0017011	▲ 0017011
17	Valve, Inlet Needle	★ 0018002	★ 0018002	★ 0018002	★ 0018002	★ 0018002	★ 0018002	★ 0018002
18	Spring, Metering Lever	★ 0019002	★ 0019007	★ 0019002	★ 0019002	★ 0019002	★ 0019002	★ 0019002
19	Lever, Metering	★ 0020008	★ 0020002	★ 0020005	★ 0020002	★ 0020008	★ 0020012	★ 0020012
20	Pin	★ 0021001	★ 0021001	★ 0021001	★ 0021001	★ 0021001	★ 0021001	★ 0021001
21	Disk	0025007	-----	0025004	-----	0025007	-----	-----
22	Cover, Metering Chamber	0028022	0028022	0028005	0028022	0028010	0028022	-----
23	Cover Ass'y, Metering Chamber	-----	-----	-----	-----	-----	-----	-----
24	Spring, Adjust Screw	0029001	0029005	0029001	0029001	0029001	0029001	0029001
25	Spring, Adjust Screw	-----	-----	-----	-----	-----	-----	-----
26	Screw, Main Mixture	0030009	0030004	0030004	0030004	0030008	0030008	0030008
27	Screw, Idle Mixture	0031010	0031002	0031002	0031002	0031009	0031009	0031009
28	Screw, Throttle Adjust	▲	▲ 0035007	▲ 0035007	▲ 0035007	▲ 0035007	▲ 0035007	▲ 0035007
29	Piece, Friction	▲	▲ 0036001	▲ 0036001	▲ 0036001	▲ 0036001	▲ 0036001	▲ 0036001
30	Retainer, Pump Valve	-----	-----	-----	-----	-----	-----	-----
31	Spring, Friction	-----	0038001	-----	-----	-----	-----	-----
32	Shaft Ass'y, Choke	-----	A041005	-----	-----	-----	-----	-----
33	Valve, Choke	-----	0043005	-----	-----	-----	-----	-----
34	Post	-----	-----	-----	-----	-----	-----	-----
35	Boot	-----	0051001	-----	-----	-----	-----	-----
36	Collar	-----	-----	-----	-----	-----	-----	-----
37	Plunger	-----	-----	0053001	0053004	0053003	0053003	0053003
38	Spring (Plunger Return)	-----	-----	0054002	0054002	0054002	0054002	0054002
39	Screw (Pin)	14803006	14803006	14803006	14803006	14803006	14803006	14803006
40	Screw (Throttle Valve)	15603004	15603004	15603004	15603004	15603004	15603004	15603004
41	Screw (Choke Valve)	-----	156030045	-----	-----	-----	-----	-----
42	Screw (Post)	-----	-----	-----	-----	-----	-----	-----
43	Screw (Metering Cover)	17203006	17203006	17103007	17203006	17103007	17203006	17103007
44	Screw (Pump Cover)	17004010	17004010	17004010	17004010	17004010	17004010	17004010
45	Screw (Throttle Lever)	17103004	17103004	17103004	17103004	-----	-----	-----
46	Ball, Steel	-----	19290030	-----	-----	-----	-----	-----
47	E-Ring (Throttle Shaft)	19500040	-----	19500040	19500040	19500040	19500040	19500040
48	E-Ring (Post)	-----	-----	-----	-----	-----	-----	-----
49	O-Ring (Plunger)	-----	-----	-----	195502308	195502308	195502308	195502308
50	Base Ass'y, Primer	-----	-----	-----	-----	-----	-----	A056005
51	Limiter, Mixture (H)	-----	-----	-----	-----	-----	-----	-----
52	Limiter, Mixture (L)	-----	-----	-----	-----	-----	-----	-----
53	Washer (Limiter)	-----	-----	-----	-----	-----	-----	-----
54	Retainer (Limiter)	-----	-----	-----	-----	-----	-----	-----

PARTS LIST

C1S TYPE

REF	PART NAME	C1S K6B	C1S M8	C1S M9	C1S M12	C1S M13	C1S S1.A-C	C1S S2
	Venturi	11 mm	8 mm	8 mm	8 mm	7 mm	11 mm	10 mm
★	Rebuild Kit	RB-9	RB-10	RB-10	RB-10	RB-10	RB-11	RB-12
●	Gasket & Diaphragm Kit	GND-5	GND-32	GND-32	GND-32	GND-32	GND-7	GND-7
▲	Cover Kit, Pump	K017006	K017006	-----	-----	-----	K017008	K017012
1	Strainer	★ 0004004	★ 0004004	★ 0004004	★ 0004004	★ 0004004	★ 0004004	★ 0004004
2	Strainer	0004005	-----	-----	-----	-----	★ 0004005	★ 0004005
3	Strainer	0004004	-----	-----	-----	-----	-----	-----
4	Plug, Welch	★ 0005004	★ 0005004	★ 0005004	★ 0005004	★ 0005004	★ 0005001	★ 0005006
5	Nozzle Ass'y, Check Valve	A007025	-----	-----	-----	-----	A007011	A007020
6	Shaft Ass'y, Throttle	A011027	A011019	-----	A011028	A011028	A011022	A011032
7	Lever, Throttle	-----	-----	-----	-----	-----	-----	-----
8	Spring, Throttle Return	0013005	0013012	-----	0013012	0013012	0013014	0013012
9	Valve, Throttle	0014004	0014007	-----	0014007	0014007	0014008	-----
10	Diaphragm Ass'y, Metering	★● A015011	-----	-----	-----	-----	★● A015006	★● A015006
11	Diaphragm, Metering	-----	★● 0015014	★● 0015014	★● 0015014	★● 0015014	-----	-----
12	Diaphragm, Pump	★● 0015052	★● 0015030V	★● 0015030V	★● 0015030V	★● 0015030V	★● 0015052	★● 0015030V
13	Diaphragm, Surge	★● 0015015	-----	-----	★● 0015018	★● 0015018	-----	-----
14	Gasket, Metering Chamber	★● 0016021	★● 0016014	★● 0016014	★● 0016014	★● 0016014	★● 0016014	★● 0016014
15	Gasket, Pump	★● 0016015	★● 0016015	★● 0016015	★● 0016015	★● 0016015	★● 0016039	★● 0016039
16	Cover, Pump	▲ 0017011	▲ 0017011	0017011	0017014	0017014	▲ 0017027	▲ A017006
17	Valve, Inlet Needle	★ 0018002	★ 0018002	★ 0018002	★ 0018002	★ 0018002	★ 0018002	★ 0018002
18	Spring, Metering Lever	★ 0019002	★ 0019002	★ 0019002	★ 0019002	★ 0019002	★ 0019002	★ 0019002
19	Lever, Metering	★ 0020012	★ 0020008	★ 0020008	★ 0020008	★ 0020008	★ 0020002	★ 0020010
20	Pin	★ 0021001	★ 0021001	★ 0021001	★ 0021001	★ 0021001	★ 0021001	★ 0021001
21	Disk	-----	0025007	0025007	0025007	0025007	-----	-----
22	Cover, Metering Chamber	-----	0028015	0028022	0028022	0028022	0028022	0028022
23	Cover Ass'y, Metering Chamber	-----	-----	-----	-----	-----	-----	-----
24	Spring, Adjust Screw	0029001	0029001	0029001	0029001	0029001	0029005	0029005
25	Spring, Adjust Screw	-----	-----	-----	0029003	0029003	▲ 0029004	▲ 0029004
26	Screw, Main Mixture	0030008	0030012	0030012	0030012	0030020	0030075	0030022
27	Screw, Idle Mixture	0031009	0031002	-----	0031002	0031002	0031074	0031022
28	Screw, Throttle Adjust	▲ 0035007	▲ 0035007	-----	0035006	0035006	▲ 0035009	▲ 0035009
29	Piece, Friction	▲ 0036001	▲ 0036001	-----	-----	-----	-----	-----
30	Retainer, Pump Valve	-----	-----	-----	★● 0037004	★● 0037004	-----	-----
31	Spring, Friction	-----	-----	-----	-----	-----	-----	0038001
32	Shaft Ass'y, Choke	-----	-----	-----	-----	-----	-----	0041009
33	Valve, Choke	-----	-----	-----	-----	-----	-----	0043007
34	Post	-----	0045002	-----	-----	-----	-----	0045004
35	Boot	-----	-----	-----	-----	-----	-----	-----
36	Collar	-----	-----	-----	-----	-----	-----	-----
37	Plunger	0053003	-----	-----	-----	-----	0053001	0053003
38	Spring (Plunger Return)	0054002	-----	-----	-----	-----	0054001	0054001
39	Screw (Pin)	14803006	14803006	14803006	14803006	14803006	14803006	14803006
40	Screw (Throttle Valve)	15603004	15603004	-----	15603004	15603004	15603004	15603004
41	Screw (Choke Valve)	-----	-----	-----	-----	-----	-----	156030045
42	Screw (Post)	-----	-----	-----	-----	-----	-----	-----
43	Screw (Metering Cover)	17103007	17203006	17203006	17203006	17203006	17203006	17203006
44	Screw (Pump Cover)	17004010	17004010	17004010	17004010	17004010	17004010	17004010
45	Screw (Throttle Lever)	-----	-----	-----	-----	-----	-----	-----
46	Ball, Steel	-----	-----	-----	-----	-----	-----	19290030
47	E-Ring (Throttle Shaft)	19500040	19500030	-----	19500030	19500030	19500040	19500040
48	E-Ring (Post)	-----	19500040	-----	-----	-----	-----	19500040
49	O-Ring (Plunger)	195502308	-----	-----	-----	-----	-----	195502308
50	Base Ass'y, Primer	A056005	-----	-----	-----	-----	-----	-----
51	Limiters, Mixture (H)	-----	-----	-----	-----	-----	-----	-----
52	Limiters, Mixture (L)	-----	-----	-----	-----	-----	-----	-----
53	Washer (Limiters)	-----	-----	-----	-----	-----	-----	-----
54	Retainer (Limiters)	-----	-----	-----	-----	-----	-----	-----

PARTS LIST

C1S TYPE

REF	PART NAME	C1S S3	C1S S3A-D	C1S S3E-G	C1S SK1	C1S SK2	C1S Z1.A-D		
	Venturi	12.5 mm	12.5 mm	12.5 mm	12.5 mm	9.5 mm	9.5 mm		
★	Rebuild Kit	RB-13	RB-13	RB-13	RB-13	RB-13	RB-14		
●	Gasket & Diaphragm Kit	GND-7	GND-7	GND-7	GND-7	GND-7	GND-6		
▲	Cover Kit, Pump	K017012	K017012	K017012	K017019	K017019	K017010		
1	Strainer	★ 0004004	★ 0004004	★ 0004004	★ 0004004	★ 0004004	★ 0004004		
2	Strainer	★ 0004005	-----	-----	-----	-----	-----		
3	Strainer	-----	-----	-----	-----	-----	-----		
4	Plug, Welch	★ 0005006	★ 0005006	★ 0005006	★ 0005006	★ 0005006	★ 0005004		
5	Nozzle Ass'y, Check Valve	A007020	A007028	A007028	A007028	A007028	A007044		
6	Shaft Ass'y, Throttle	A011035	A011035	A011151	A011043	A011063	A011030		
7	Lever, Throttle	-----	-----	-----	-----	-----	0012091		
8	Spring, Throttle Return	0013012	0013012	0013012	0013012	0013014	0013005		
9	Valve, Throttle	0014008	0014008	0014008	0014008	0014008	-----		
10	Diaphragm Ass'y, Metering	★● A015006	★● A015006	★● A015006	★● A015006	★● A015006	★● A015010		
11	Diaphragm, Metering	-----	-----	-----	-----	-----	-----		
12	Diaphragm, Pump	★● 0015030V	★● 0015052	★● 0015052	★● 0015052	★● 0015052	★● 0015030V		
13	Diaphragm, Surge	-----	-----	-----	-----	★●	★● 0015015		
14	Gasket, Metering Chamber	★● 0016014	★● 0016014	★● 0016014	★● 0016014	★● 0016014	★● 0016019		
15	Gasket, Pump	★● 0016039	★● 0016039	★● 0016039	★● 0016039	★● 0016039	★● 0016015		
16	Cover, Pump	▲ A017006	▲ A017006	▲ A017006	▲	▲	▲ 0017011		
17	Valve, Inlet Needle	★ 0018004	★ 0018004	★ 0018004	★ 0018004	★ 0018004	★ 0018002		
18	Spring, Metering Lever	★ 0019002	★ 0019002	★ 0019002	★ 0019002	★ 0019002	★ 0019009		
19	Lever, Metering	★ 0020010	★ 0020010	★ 0020010	★ 0020010	★ 0020010	★ 0020012		
20	Pin	★ 0021001	★ 0021001	★ 0021001	★ 0021001	★ 0021001	★ 0021001		
21	Disk	-----	-----	-----	-----	-----	-----		
22	Cover, Metering Chamber	0028022	0028015	0028015	0028015	0028015	0028015		
23	Cover Ass'y, Metering Chamber	-----	-----	-----	-----	-----	-----		
24	Spring, Adjust Screw	0029005	0029005	0029005	0029005	0029005	0029001		
25	Spring, Adjust Screw	▲ 0029004	▲ 0029004	▲ 0029004	▲	▲	-----		
26	Screw, Main Mixture	0030030	0030030	0030030	0030030	0030030	0030017		
27	Screw, Idle Mixture	0031014	0031030	0031030	0031030	0031030	0031018		
28	Screw, Throttle Adjust	▲ 0035009	▲ 0035009	▲ 0035009	▲	▲	▲ 0035011		
29	Piece, Friction	-----	-----	-----	-----	-----	▲ 0036001		
30	Retainer, Pump Valve	-----	-----	-----	-----	-----	-----		
31	Spring, Friction	0038001	0038001	0038001	0038001	0038001	-----		
32	Shaft Ass'y, Choke	0041009	0041009	0041086	0041024	0041024	-----		
33	Valve, Choke	0043010	0043010	0043010	0043010	0043010	-----		
34	Post	0045004	0045004	0045004	0045004	0045004	-----		
35	Boot	-----	-----	-----	-----	-----	-----		
36	Collar	-----	-----	-----	-----	-----	-----		
37	Plunger	0053003	-----	-----	-----	-----	-----		
38	Spring (Plunger Return)	0054002	-----	-----	-----	-----	-----		
39	Screw (Pin)	14803006	14803006	14803006	14803006	14803006	14803006		
40	Screw (Throttle Valve)	15603004	15603004	15603004	15603004	15603004	15603004		
41	Screw (Choke Valve)	156030045	156030045	156030045	156030045	156030045	-----		
42	Screw (Post)	-----	-----	-----	-----	-----	-----		
43	Screw (Metering Cover)	17203006	17203006	17203006	17203006	17203006	17203006		
44	Screw (Pump Cover)	17004010	17004010	17004010	17004010	17004010	17004010		
45	Screw (Throttle Lever)	-----	-----	-----	-----	-----	17103004		
46	Ball, Steel	19290030	19290030	19290030	19290030	19290030	-----		
47	E-Ring (Throttle Shaft)	19500040	19500030	19500030	19500030	19500030	-----		
48	E-Ring (Post)	19500040	19500040	19500040	19500040	19500040	-----		
49	O-Ring (Plunger)	195502308	-----	-----	-----	-----	-----		
50	Base Ass'y, Primer	-----	-----	-----	-----	-----	-----		
51	Limitter, Mixture (H)	-----	-----	-----	-----	-----	-----		
52	Limitter, Mixture (L)	-----	-----	-----	-----	-----	-----		
53	Washer (Limitter)	-----	-----	-----	-----	-----	-----		
54	Retainer (Limitter)	-----	-----	-----	-----	-----	-----		

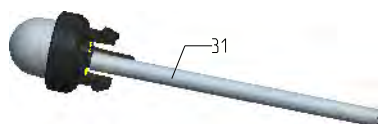
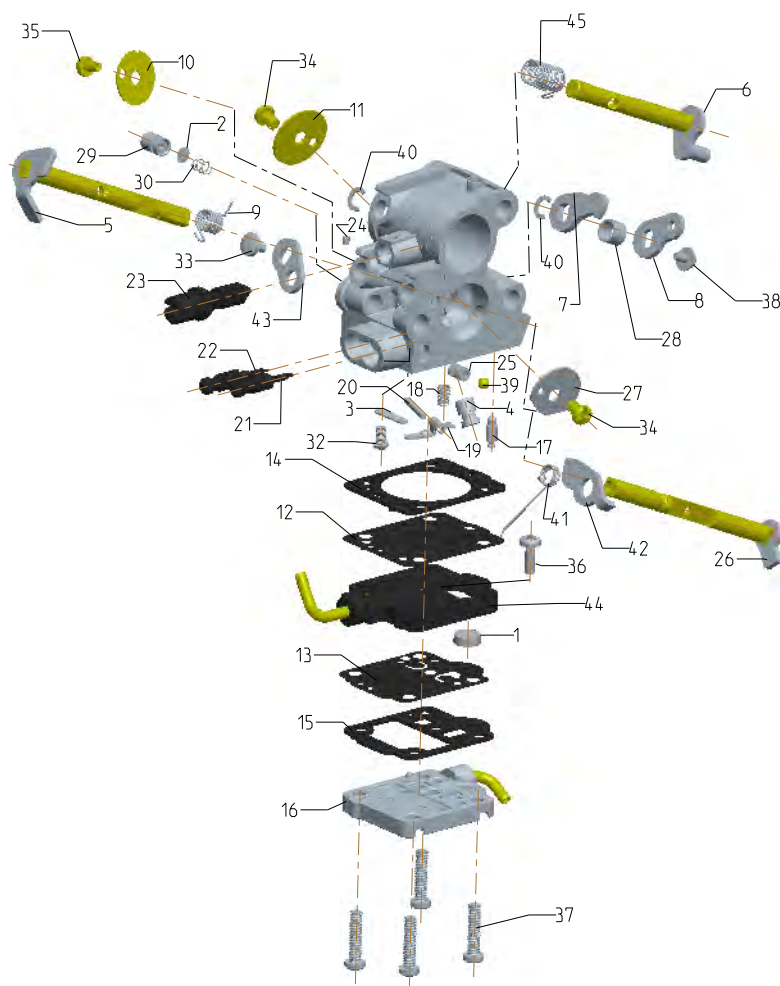
PARTS LIST



C1T TYPE

* THIS ILLUSTRATION DOES NOT REPRESENT EVERY MODEL. THIS IS INTENDED FOR A GENERIC REFERENCE ONLY.

C1T TYPE



REF.NO.	PART NAME
1	STRAINER
2	STRAINER
3	PLUG,WELCH
4	NOZZLE ASS'Y, CHECK VALVE
5	SHAFT ASS'Y, THROTTLE
6	SHAFT ASS'Y, AIRHEAD
7	LEVER, THROTTLE
8	LEVER, THROTTLE
9	SPRING, THROTTLE RETURN
10	VALVE, THROTTLE
11	VALVE, THROTTLE AIRHEAD
12	DIAPHRAGM ASS'Y, METERING
13	DIAPHRAGM, PUMP
14	GASKET, METERING CHAMBER
15	GASKET, PUMP
16	COVER, PUMP
17	VALVE, INLET NEEDLE
18	SPRING, METERING LEVER
19	LEVER,METERING
20	PIN
21	SCREW , MAIN MIXTURE
22	SCREW , IDLE MIXTURE
23	SCREW , THROTTLE ADJUST
24	PIECE, FRICTION
25	SPRING, FRICTION
26	SHAFT ASS'Y, CHOKE
27	VALVE, CHOKE
28	COLLAR
29	PLUNGER KIT
30	SPRING (PLUNGER RETURN)
31	PRIMER KIT, EXTERNAL
32	SCREW (PIN)
33	SCREW (CHOKE LEVER)
34	SCREW (AIRHEAD & CHOKE VALVE)
35	SCREW (THROTTLE VALVE)
36	SCREW (PUMP BODY)
37	SCREW (PUMP BODY)
38	SCREW (THROTTLE LEVER)
39	BALL , STEEL
40	E-RING
41	SPRING, CHOKE RETURN
42	LEVER, CHOKE
43	LEVER, CHOKE
44	PUMP, BODY ASS'Y
45	SPRING, AIRHEAD

PARTS LIST

C1T TYPE

REF	PART NAME	C1T EL41A	C1T W33A	C1T W33B	C1T W33C				
	Venturi	9 mm	8 mm	8 mm	8 mm				
★	Rebuild Kit	RB-149	RB-149	RB-149	RB-149				
●	Gasket & Diaphragm Kit	★ GND-83	★ GND-83	★ GND-83	★ GND-83				
1	Strainer	★ 0004011	★ 0004011	★ 0004011	★ 0004011				
2	Strainer		0004002	0004002	0004002				
3	Plug, Welch	★ 0005004	★ 0005004	★ 0005004	★ 0005004				
4	Nozzle Ass'y, Check Valve	A007254	A007188	A007188	A007188				
5	Shaft Ass'y, Throttle	A011270	A011250	A011250	A011250				
6	Shaft Ass'y, AirHead	A011271	A011251	A011251	A011251				
7	Lever, Throttle	0012297	0012296	0012296	0012296				
8	Lever, Throttle	-----	0012277	0012277	0012277				
9	Spring, Throttle Return	0013137	0013119	0013119	0013119				
10	Valve, Throttle	0014020	0014043	0014142	0014142				
11	Valve, Throttle AirHead	0014043	0014040	0014040	0014040				
12	Diaphragm Ass'y, Metering	★● A015058	★● A015058	★● A015058	★● A015058				
13	Diaphragm, Pump	★● 0015110	★● 0015110	★● 0015110	★● 0015110				
14	Gasket, Metering Chamber	★● 0016097	★● 0016097	★● 0016097	★● 0016097				
15	Gasket, Pump	★● 0016096	★● 0016096	★● 0016096	★● 0016096				
16	Cover, Pump	A017051	A017050	A017050	A017050				
17	Valve, Inlet Needle	★ 0018004	★ 0018004	★ 0018004	★ 0018004				
18	Spring, Metering Lever	★ 0019012	★ 0019012	★ 0019012	★ 0019012				
19	Lever, Metering	★ 0020012	★ 0020012	★ 0020012	★ 0020012				
20	Pin	★ 0021001	★ 0021001	★ 0021001	★ 0021001				
21	Screw, Main Mixture	0030219	0030209	0030209	0030209				
22	Screw, Idle Mixture	0031224	0031213	0031213	0031213				
23	Screw, Throttle Adjust	0035072	0035072	0035072	0035072				
24	Piece, Friction	0036001	0036001	0036001	0036001				
25	Spring, Friction	-----	0038001	0038001	0038001				
26	Shaft Ass'y, Choke	A041134	A041124	A041124	A041124				
27	Valve, Choke	0043074	0043008	0043008	0043015				
28	Collar	0052020	0052001	0052001	0052001				
29	Plunger Kit	-----	K053031	K053031	K053031				
30	Spring (Plunger Return)	-----	0054065	0054065	0054065				
31	Primer Kit, External	-----	K056045	K056045	K056045				
32	Screw, Pin	170025045	170025045	170025045	170025045				
33	Screw, Choke Lever	-----	17103004	17103004	17103004				
34	Screw, AirHead & Choke	156030045	156030045	156030045	156030045				
35	Screw, Throttle Valve	15603004	15603004	15603004	15603004				
36	Screw, Pump Body	16103014	16103014	16103014	16103014				
37	Screw, Pump Body	16103008	16103008	16103008	16103008				
38	Screw, Throttle Lever	17103004	17502604	17502604	17502604				
39	Ball, Steel	-----	19290030	19290030	19290030				
40	E-Ring	19510040	19510040	19510040	19510040				
41	Spring, Choke Return	0013138	0013120	0013120	0013120				
42	Lever, Choke	A042030	0042173	0042173	0042173				
43	Lever, Choke	0042183	0042182	0042182	0042182				
44	Pump, Body Ass'y	A049037	A049033	A049033	A049033				
45	Spring, Air Head	0013139	0013118	0013118	0013118				

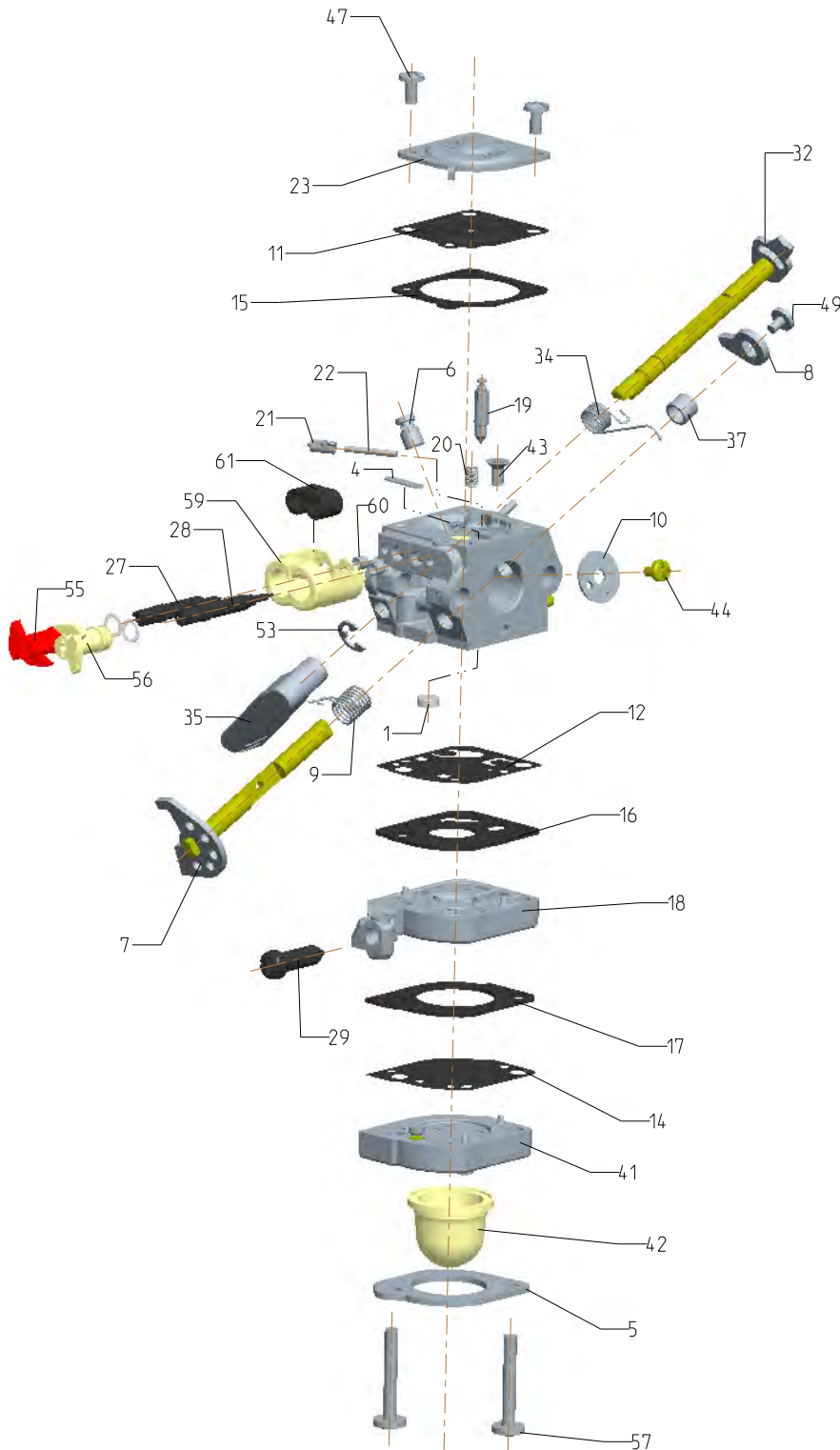
PARTS LIST



Simple Start® C1U TYPE

* THIS ILLUSTRATION DOES NOT REPRESENT EVERY MODEL. THIS IS INTENDED FOR A GENERIC REFERENCE ONLY.

C1U SIMPLE START



REF.NO.	PART NAME	
1	STRAINER	
2	STRAINER	NOT SHOWN
3	STRAINER	NOT SHOWN
4	PLUG, WELCH	
5	RETAINER, SYRINGE	
6	NOZZLE ASS'Y, CHECK VALVE	
7	SHAFT ASS'Y, THROTTLE	
8	LEVER, THROTTLE	
9	SPRING, THROTTLE RETURN	
10	VALVE, THROTTLE	
11	DIAPHRAGM ASS'Y, METERING	
12	DIAPHRAGM, PUMP	
13	DIAPHRAGM, SURGE	NOT SHOWN
14	DIAPHRAGM, START PUMP	
15	GASKET, METERING CHAMBER	
16	GASKET, PUMP	
17	GASKET, START PUMP	
18	COVER, STARTER PUMP	
19	VALVE, INLET NEEDLE	
20	SPRING, METERING LEVER	
21	LEVER, METERING	
22	PIN	
23	COVER, METERING CHAMBER	
24	COVER ASS'Y, METERING CHAMBER	NOT SHOWN
25	SPRING, ADJUST SCREW	NOT SHOWN
26	SPRING, ADJUST SCREW	NOT SHOWN
27	SCREW, MAIN MIXTURE	
28	SCREW, IDLE MIXTURE	
29	SCREW, THROTTLE ADJUST	
30	PIECE, FRICTION	NOT SHOWN
31	SPRING, FRICTION	NOT SHOWN
32	SHAFT ASS'Y, CHOKE	
33	VALVE, CHOKE	NOT SHOWN
34	SPRING, CHOKE RETURN	
35	CHOKE ACTUATOR LEVER	
36	POST	
37	COLLAR	
38	PLUNGER	NOT SHOWN
39	SPRING (PLUNGER RETURN)	NOT SHOWN
40	SPRING (SYRINGE)	NOT SHOWN
41	BASE ASS'Y, PRIMER	
42	SYRINGE	
43	SCREW (PIN)	
44	SCREW (THROTTLE VALVE)	
45	SCREW (CHOKE VALVE)	NOT SHOWN
46	SCREW (POST)	NOT SHOWN
47	SCREW (METERING COVER)	
48	SCREW (PUMP COVER)	NOT SHOWN
49	SCREW (THROTTLE LEVER)	
50	BALL STEEL	NOT SHOWN
51	E-RING (THROTTLE SHAFT)	NOT SHOWN
52	E-RING (POST)	NOT SHOWN
53	E-RING (CHOKE SHAFT)	
54	O-RING (PLUNGER)	NOT SHOWN
55	LIMITER, MIXTURE (H)	
56	LIMITER, MIXTURE (L)	
57	SCREW (RETAINER)	
58	WASHER (LIMITER)	
59	RETAINER (LIMITER)	
60	RETAINER (MIXTURE)	
61	BOOT	

PARTS LIST

SIMPLE START® C1U TYPE

REF	PART NAME	C1U H46	C1U H46A	C1U H49	C1U H62.A	C1U P27	C1U W17	C1U W17A
	Venturi	9mm	9mm	9mm	9mm	9mm	9.5mm	9.5mm
★	Rebuild Kit	RB-82	RB-82	RB-82	RB-141	RB-156	RB-111	RB-111
●	Gasket & Diaphragm Kit	★ GND-49	★ GND-49	★ GND-49	★ GND-77	★ GND-77	★ GND-49	★ GND-49
▲	Start Kit, Pump	K049001	K049001	K049001			K049004	K049004
■	Base Kit, Primer				K056042	K056046		
1	Strainer	★ 0004004	★ 0004004	★ 0004004	★ 0004011	★ 0004011	★ 0004032	★ 0004032
2	Strainer							
3	Strainer							
4	Plug, Welch	★ 0005004	★ 0005004	★ 0005004	★ 0005004	★ 0005004	★ 0005004	★ 0005004
5	Retainer, Syringe	0009015	0009015	0009015	0009084	0009084	0009015	0009015
6	Nozzle Ass'y, Check Valve	A007163	A007163		A007163	A007268	A007179	A007179
7	Shaft Ass'y, Throttle	A011158	A011158	A011161	A011238	A011281	A011191	A011191
8	Lever, Throttle	0012154	0012181	0012154	0012154	0012322	0012181	0012181
9	Spring, Throttle Return	0013016	0013016	0013016	0013016	0013016	0013016	0013016
10	Valve, Throttle	0014041	0014041	0014057	0014041	0014103	0014103	0014103
11	Diaphragm Ass'y, Metering	★● A015010	★● A015010	★● A015010	★● A015010	★● A015010	★● A015010	★● A015010
12	Diaphragm, Pump	★● 0015059	★● 0015059	★● 0015059	★● 0015103	★● 0015103	★● 0015059	★● 0015059
13	Diaphragm, Surge							
14	Diaphragm, Start Pump	★● 0015060	★● 0015060	★● 0015060			★● 0015060	★● 0015060
15	Gasket, Metering Chamber	★● 0016019	★● 0016019	★● 0016019	★● 0016019	★● 0016019	★● 0016019	★● 0016019
16	Gasket, Pump	★● 0016049	★● 0016049	★● 0016049	★● 0016091	★● 0016091	★● 0016049	★● 0016049
17	Gasket, Start Pump	★● 0016050	★● 0016050	★● 0016050			★● 0016050	★● 0016050
18	Cover, Starter Pump	▲	▲	▲			▲ A049026	▲ A049026
19	Valve, Inlet Needle	★ 0018002	★ 0018002	★ 0018002	★ 0018002	★ 0018002	★ 0018002	★ 0018002
20	Spring, Metering Lever	★ 0019014	★ 0019014	★ 0019014	★ 0019005	★ 0019002	★ 0019002	★ 0019002
21	Lever, Metering	★ 0020012	★ 0020012	★ 0020012	★ 0020012	★ 0020012	★ 0020012	★ 0020012
22	Pin	★ 0021001	★ 0021001	★ 0021001	★ 0021001	★ 0021001	★ 0021001	★ 0021001
23	Cover, Metering Chamber	0028022	0028022	0028022	0028022	0028022	0028022	0028022
24	Cover Ass'y, Metering Chamber							
25	Spring, Adjust Screw							
26	Spring, Adjust Screw							
27	Screw, Main Mixture	0030173	0030173		0030241	0030269	0030195	0030209
28	Screw, Idle Mixture	0031174	0031174	0031175	0031241	0031263	0031192	0031213
29	Screw, Throttle Adjust	▲	▲	▲	■	■	▲ 0035033	▲ 0035033
30	Piece, Friction	▲	▲	▲	■	■	▲ 0036001	▲ 0036001
31	Spring, Friction							
32	Shaft Ass'y, Choke	A041081	A041094	A041081	A041118	A041139	A041094	A041094
33	Valve, Choke							
34	Spring Choke Return	0013068	0013068	0013068	0013085	0013085	0013085	0013085
35	Choke Actuator Lever	0042084	0042127	0042084		0042196	0042105	0042105
36	Post							
37	Collar	0052006	0052006	0052006	0052006	0052006	0052006	0052006
38	Plunger							
39	Spring (Plunger Return)							
40	Spring (Syringe)							
41	Base Ass'y, Primer	A056058	A056058	A056058	■	■	A056058	A056058
42	Syringe	0057004	0057004	0057004	0057004	0057004	★ 0057025	0057025
43	Screw (Pin)	14903006	14903006	14903006	14903006	14903006	14903006	14903006
44	Screw (Throttle Valve)	156030045	156030045	15603004	156030045	156030045	156030045	156030045
45	Screw (Choke Valve)							
46	Screw (Post)							
47	Screw (Metering Cover)	17203006	17203006	17203006	17203006	17203006	17203006	17203006
48	Screw (Pump Cover)	17104023	17104023	17104023			17104023	17104023
49	Screw (Throttle Lever)	17103004	17103004	17103004	17103004	17103004	17103004	17103004
50	Ball, Steel							
51	E-Ring (Throttle Shaft)							
52	E-Ring (Post)							
53	E-Ring (Choke Shaft)	19500030	19500040	19500030	19500035	19500035	19500040	19500040
54	O-Ring (Plunger)							
55	Limiter, Mixture (H)	0061025	0061025	0061025				
56	Limiter, Mixture (L)	0061026	0061026					
57	Screw (Retainer)				17203012	17203012		
58	Washer (Limiter)	0026014	0026014	0026014				
59	Retainer (Limiter)	0009028	0009028	0009028				
60	Retainer (Mixture)							
61	Boot	0051027	0051027					

NOTES:

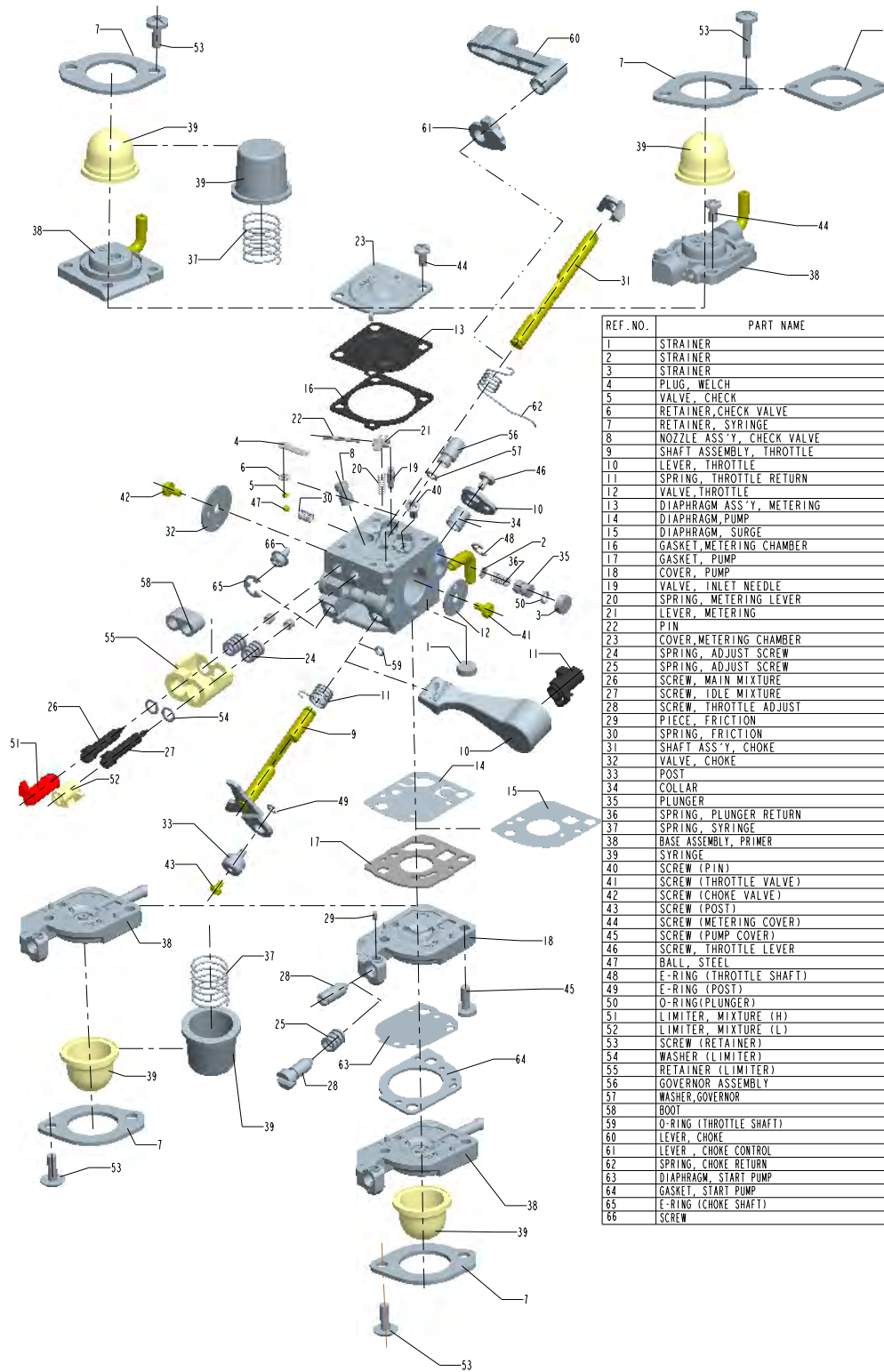
PARTS LIST



C1U TYPE

C1U TYPE

* THIS ILLUSTRATION DOES NOT REPRESENT EVERY MODEL. THIS IS INTENDED FOR A GENERIC REFERENCE ONLY.



REF. NO.	PART NAME
1	STRAINER
2	STRAINER
3	STRAINER
4	PLUG, WELCH
5	VALVE, CHECK
6	RETAINER, CHECK VALVE
7	RETAINER, SYRINGE
8	NOZZLE ASS'Y, CHECK VALVE
9	SHAFT ASSEMBLY, THROTTLE
10	LEVER, THROTTLE
11	SPRING, THROTTLE RETURN
12	VALVE, THROTTLE
13	DIAPHRAGM ASS'Y, METERING
14	DIAPHRAGM, PUMP
15	DIAPHRAGM, SURGE
16	GASKET, METERING CHAMBER
17	GASKET, PUMP
18	COVER, PUMP
19	VALVE, INLET NEEDLE
20	SPRING, METERING LEVER
21	LEVER, METERING
22	PIN
23	COVER, METERING CHAMBER
24	SPRING, ADJUST SCREW
25	SPRING, ADJUST SCREW
26	SCREW, MAIN MIXTURE
27	SCREW, IDLE MIXTURE
28	SCREW, THROTTLE ADJUST
29	PIECE, FRICTION
30	SPRING, FRICTION
31	SHAFT ASS'Y, CHOKE
32	VALVE, CHOKE
33	POST
34	COLLAR
35	PLUNGER
36	SPRING, PLUNGER RETURN
37	SPRING, SYRINGE
38	BASE ASSEMBLY, PRIMER
39	SYRINGE
40	SCREW (PIN)
41	SCREW (THROTTLE VALVE)
42	SCREW (CHOKE VALVE)
43	SCREW (POST)
44	SCREW (METERING COVER)
45	SCREW (PUMP COVER)
46	SCREW, THROTTLE LEVER
47	BALL, STEEL
48	E-RING (THROTTLE SHAFT)
49	E-RING (POST)
50	O-RING (PLUNGER)
51	LIMITER, MIXTURE (H)
52	LIMITER, MIXTURE (L)
53	SCREW (RETAINER)
54	WASHER (LIMITER)
55	RETAINER (LIMITER)
56	GOVERNOR ASSEMBLY
57	WASHER, GOVERNOR
58	BOOT
59	O-RING (THROTTLE SHAFT)
60	LEVER, CHOKE
61	LEVER, CHOKE CONTROL
62	SPRING, CHOKE RETURN
63	DIAPHRAGM, START PUMP
64	GASKET, START PUMP
65	E-RING (CHOKE SHAFT)
66	SCREW

PARTS LIST

C1U TYPE

REF	PART NAME	C1U D1AB	C1U D1B	C1U DM4	C1U DM4A-B	C1U DM4C	C1U FD1	C1U H10, A-B
	Venturi	8 mm	8 mm	9 mm	9MM	9MM	9 mm	9 mm
★	Rebuild Kit	RB-63	RB-63	RB-20	RB-20	RB-20	RB-48	RB-20
●	Gasket & Diaphragm Kit	GND-17	GND-17	GND-12	GND-12	GND-12	GND-18	GND-12
▲	Cover Kit, Pump	K017030	K017030	K017030	K017030	K017030		K017030
■	Base Kit, Primer						K056030	
⊕	Plunger kit							
1	Strainer	★ 0004004	★ 0004004	★ 0004004	★ 0004004	★ 0004004	★ 0004004	★ 0004004
2	Strainer							
3	Strainer							
4	Plug, Welch	★ 0005004	★ 0005004	★ 0005004	★ 0005004	★ 0005004	★ 0005004	★ 0005005
5	Valve, Check							0008004
6	Retainer, Check Valve							0009008
7	Retainer, Syringe						0009015	0009027
8	Nozzle Ass'y, Check Valve	A007029	A007029	A007039	A007039	A007039	A007042	A007022
9	Shaft Ass'y, Throttle	A011019	A011019	A011136	A011136	A011206	A011069	A011033
10	Lever, Throttle			0012132	0012132	0012132		
11	Spring, Throttle Return	0013016	0013016	0013016	0013016	0013016	0013038	0013016
12	Valve, Throttle	0014016	0014016	0014048	0014044	0014044	0014020	0014015
13	Diaphragm Ass'y, Metering	●● A015010	●● A015010	●● A015011	●● A015011	●● A015011	●● A015010	●● A015011
14	Diaphragm, Pump	●● 0015051	●● 0015051	●● 0015051	●● 0015051	●● 0015051	●● 0015051	●● 0015031V
15	Diaphragm, Surge							
16	Gasket, Metering Chamber	●● 0016018	●● 0016018	●● 0016021	●● 0016021	●● 0016021	●● 0016019	●● 0016021
17	Gasket, Pump	●● 0016046	●● 0016046	●● 0016046	●● 0016046	●● 0016046	●● 0016046	●● 0016046
18	Cover, Pump	▲ 0017046	▲ 0017046	▲ 0017046	▲ 0017046	▲ 0017046		▲ 0017046
19	Valve, Inlet Needle	★ 0018002	★ 0018002	★ 0018002	★ 0018002	★ 0018002	★ 0018002	★ 0018002
20	Spring, Metering Lever	★ 0019005	★ 0019005	★ 0019002	★ 0019002	★ 0019002	★ 0019014	★ 0019002
21	Lever, Metering	★ 0020012	★ 0020012	★ 0020012	★ 0020012	★ 0020012	★ 0020012	★ 0020012
22	Pin	★ 0021001	★ 0021001	★ 0021001	★ 0021001	★ 0021001	★ 0021001	★ 0021001
23	Cover, Metering Chamber	0028015	0028022	0028023	0028023	0028023	0028022	
24	Spring, Adjust Screw	0029005	0029005	0029005	0029005	0029005	0029001	0029005
25	Spring, Adjust Screw							
26	Screw, Main Mixture	0030040	0030040	0030144	0030144	0030144	0030107	0030023
27	Screw, Idle Mixture	0031041	0031041	K031138	K031138	K031138	0031090	0031025
28	Screw, Throttle Adjust	▲ 0035007	▲ 0035007	▲ 0035007	▲ 0035007	▲ 0035007	■ 0035035	▲ 0035007
29	Piece, Friction	▲ 0036001	▲ 0036001	▲ 0036001	▲ 0036001	▲ 0036001	■ 0036001	▲ 0036001
30	Spring, Friction			0038001	0038001	0038001		0038001
31	Shaft Ass'y, Choke			0041077	0041077	0041077		A041009
32	Valve, Choke			0043015	0043015	0043015		0043008
33	Post	0045002	0045002	0045002	0045002	0045002		0045003
34	Collar							
35	Plunger							
36	Spring (Plunger Return)							
37	Spring (Syringe)							
38	Base Ass'y, Primer						■ A056089	A056001
39	Syringe						0057004	0057003
40	Screw (Pin)	14903006	14903006	14903006	14903006	14903006	14903006	14903006
41	Screw (Throttle Valve)	15603004	15603004	15603004	15603004	15603004	15603004	15603004
42	Screw (Choke Valve)			15603004	15603004	15603004		15603004
43	Screw (Post)			17103004	17103004	17103004		16103005
44	Screw (Metering Cover)	17203006	17203006	17203006	17203006	17203006	17203006	
45	Screw (Pump Cover)	17104009	17104009	17104010	17104010	17104010	17104015	17104009
46	Screw (Throttle Lever)							
47	Ball, Steel			19290030	19290030	19290030		19290030
48	E-Ring (Throttle Shaft)	19500030	19500030	19500040	19500040	19500040	19500040	19500030
49	E-Ring (Post)	19500040	19500040					19500020
50	O-Ring (Plunger)							
51	Limiter, Mixture (H)	0061001	0061001				0061025	
52	Limiter, Mixture (L)	0061002	0061002				0061026	
53	Screw (Retainer)							17203012
54	Washer (Limiter)	0026014	0026014				0026014	
55	Retainer (Limiter)						0009028	
56	Governor Ass'y							
57	Washer (Governor)							
58	Boot							
59	O-Ring (Throttle Shaft)							
60	Lever, Choke							
61	Lever, Choke Control							
62	Spring, Choke Return							
63	Diaphragm, Start Pump							
64	Gasket, Start Pump							
65	E-Ring (Choke Shaft)							
66	SCREW							

PARTS LIST

C1U TYPE

REF	PART NAME	C1U H10C	C1U H10D-F	C1U H11, A-J	C1U H11K	C1U H12, A-B	C1U H12C-D	C1U H13, A-E
	Venturi	9 mm	9 mm	10 mm	10 mm	7 mm	7 mm	10 mm
★	Rebuild Kit	RB-20	RB-20	RB-20	RB-20	RB-20	RB-29	RB-20
●	Gasket & Diaphragm Kit	★ GND-12	★ GND-12	★ GND-12	★ GND-12	★ GND-12	★ GND-12	★ GND-12
▲	Cover Kit, Pump	K017030	K017030	-----	-----	KS017030	KS017030	-----
■	Base Kit, Primer	-----	-----	-----	-----	-----	-----	-----
⊕	Plunger kit	-----	-----	-----	-----	-----	-----	-----
1	Strainer	★ 0004004	★ 0004004	★ 0004004	★ 0004004	★ 0004004	★ 0004004	★ 0004004
2	Strainer	-----	-----	-----	-----	-----	-----	-----
3	Strainer	-----	-----	-----	-----	-----	-----	-----
4	Plug, Welch	★ 0005005	★ 0005005	★ 0005005	★ 0005005	★ 0005005	★ 0005005	★ 0005005
5	Valve, Check	0008004	0008004	0008004	0008004	0008004	0008004	0008004
6	Retainer, Check Valve	0009008	0009008	0009008	0009008	0009008	0009008	0009008
7	Retainer, Syringe	0009027	0009010	0009027	0009027	0009010	0009010	0009027
8	Nozzle Ass'y, Check Valve	A007022	A007022	A007031	A007064	A007031	A007022	A007064
9	Shaft Ass'y, Throttle	A011033	A011033	A011061	A011103	A011048	A011048	A011055
10	Lever, Throttle	-----	-----	-----	A012007	-----	-----	-----
11	Spring, Throttle Return	0013016	0013016	0013024	0013016	0013016	0013016	0013027
12	Valve, Throttle	0014015	0014015	0014016	0014016	0014015	0014041	0014047
13	Diaphragm Ass'y, Metering	●● A015011	●● A015011	●● A015011	●● A015011	●● A015011	●● A015011	●● A015011
14	Diaphragm, Pump	●● 0015031V	●● 0015031V	●● 0015051	●● 0015051	●● 0015031V	●● 0015051	●● 0015051
15	Diaphragm, Surge	-----	-----	-----	-----	-----	-----	-----
16	Gasket, Metering Chamber	●● 0016021	●● 0016021	●● 0016021	●● 0016021	●● 0016021	●● 0016021	●● 0016021
17	Gasket, Pump	●● 0016046	●● 0016046	●● 0016046	●● 0016046	●● 0016046	●● 0016046	●● 0016046
18	Cover, Pump	▲ 0017046	▲ 0017046	0017045	0017045	▲	▲	0017045
19	Valve, Inlet Needle	★ 0018002	★ 0018002	★ 0018002	★ 0018002	★ 0018002	★ 0018002	★ 0018002
20	Spring, Metering Lever	★ 0019002	★ 0019002	★ 0019002	★ 0019002	★ 0019002	★ 0019014	★ 0019002
21	Lever, Metering	★ 0020012	★ 0020012	★ 0020012	★ 0020012	★ 0020012	★ 0020012	★ 0020012
22	Pin	★ 0021001	★ 0021001	★ 0021001	★ 0021001	★ 0021001	★ 0021001	★ 0021001
23	Cover, Metering Chamber	-----	-----	-----	-----	-----	-----	-----
24	Spring, Adjust Screw	0029005	0029005	0029005	0029001	0029005	0029005	0029001
25	Spring, Adjust Screw	-----	-----	-----	-----	-----	-----	-----
26	Screw, Main Mixture	0030024	0030024	0030092	0030092	0030023	0030046	0030092
27	Screw, Idle Mixture	0031025	0031025	0031090	0031090	0031025	0031023	0031090
28	Screw, Throttle Adjust	▲ 0035007	▲ 0035007	-----	-----	▲	▲	-----
29	Piece, Friction	▲ 0036001	▲ 0036001	-----	-----	▲	▲	-----
30	Spring, Friction	0038001	0038001	0038001	0038001	0038001	0038001	0038001
31	Shaft Ass'y, Choke	A041009	A041009	0041039	0041039	0041015	A041015	0041039
32	Valve, Choke	0043008	0043008	0043024	0043024	0043015	0043015	0043024
33	Post	0045003	-----	-----	-----	0045003	0045003	0045003
34	Collar	-----	-----	-----	-----	-----	-----	-----
35	Plunger	-----	-----	-----	-----	-----	-----	-----
36	Spring (Plunger Return)	-----	-----	-----	-----	-----	-----	-----
37	Spring (Syringe)	-----	-----	-----	-----	-----	-----	-----
38	Base Ass'y, Primer	A056011	A056011	A056010	A056010	A056012	A056012	A056010
39	Syringe	0057003	0057003	0057003	0057003	0057003	0057003	0057003
40	Screw (Pin)	14903006	14903006	14903006	14903006	14903006	14903006	14903006
41	Screw (Throttle Valve)	15603004	15603004	15603004	15603004	15603004	15603004	15603004
42	Screw (Choke Valve)	15603004	15603004	-----	-----	15603004	15603004	-----
43	Screw (Post)	16103005	-----	-----	-----	16103005	16103005	16103005
44	Screw (Metering Cover)	17103008	17103008	17103008	17103008	17103008	17103008	17103008
45	Screw (Pump Cover)	17104009	17104009	17104010	17104010	17104009	17104010	17104010
46	Screw (Throttle Lever)	-----	-----	-----	17103004	-----	-----	-----
47	Ball, Steel	19290030	19290030	19290030	19290030	19290030	19290030	19290030
48	E-Ring (Throttle Shaft)	19500030	19500030	19500030	19500040	19500030	19500030	19500040
49	E-Ring (Post)	19500020	-----	-----	-----	19500020	19500020	19500020
50	O-Ring (Plunger)	-----	-----	-----	-----	-----	-----	-----
51	Limiter, Mixture (H)	-----	-----	0061025	0061025	-----	-----	0061025
52	Limiter, Mixture (L)	-----	-----	0061026	0061026	-----	-----	0061026
53	Screw (Retainer)	17203012	17203012	17203012	17203012	17203012	17203012	17203012
54	Washer (Limiter)	-----	-----	0026006	0026014	-----	-----	0026014
55	Retainer (Limiter)	-----	-----	0009028	0009028	-----	-----	0009028
56	Governor Ass'y	-----	-----	-----	-----	-----	-----	-----
57	Washer (Governor)	-----	-----	-----	-----	-----	-----	-----
58	Boot	-----	-----	-----	-----	-----	-----	-----
59	O-Ring (Throttle Shaft)	-----	-----	-----	-----	-----	-----	-----
60	Lever, Choke	-----	-----	-----	-----	-----	-----	-----
61	Lever, Choke Control	-----	-----	-----	-----	-----	-----	-----
62	Spring, Choke Return	-----	-----	-----	-----	-----	-----	-----
63	Diaphragm, Start Pump	-----	-----	-----	-----	-----	-----	-----
64	Gasket, Start Pump	-----	-----	-----	-----	-----	-----	-----
65	E-Ring (Choke Shaft)	-----	-----	-----	-----	-----	-----	-----
66	SCREW	-----	-----	-----	-----	-----	-----	-----

PARTS LIST

C1U TYPE

REF	PART NAME	C1U H18, A-D	C1U H28	C1U H29	C1U H30,B	C1U H31, A-C	C1U H33	C1U H36
	Venturi	9 mm	9 mm	9 mm	8 mm	9 mm	7 mm	10 mm
★	Rebuild Kit	RB-29	RB-28	RB-29	RB-29	RB-29	RB-29	RB-20
●	Gasket & Diaphragm Kit	★ GND-12	★ GND-18	★ GND-18	★ GND-18	★ GND-18	★ GND-12	★ GND-12
▲	Cover Kit, Pump	KS017030	K017030	-----	K017035	-----	K017037	-----
■	Base Kit, Primer	-----	-----	K056005	-----	K056029	-----	-----
⊕	Plunger kit	-----	-----	-----	-----	-----	-----	-----
1	Strainer	★ 0004004	★ 0004004	★ 0004004	★ 0004004	★ 0004004	★ 0004004	★ 0004004
2	Strainer	-----	-----	-----	-----	-----	-----	-----
3	Strainer	-----	-----	-----	-----	-----	-----	-----
4	Plug, Welch	★ 0005005	★ 0005005	★ 0005005	★ 0005005	★ 0005005	★ 0005004	★ 0005005
5	Valve, Check	0008004	0008004	0008004	0008004	0008004	-----	0008004
6	Retainer, Check Valve	0009008	0009008	0009008	0009008	0009008	-----	0009008
7	Retainer, Syringe	0009027	-----	0009015	-----	0009015	0009027	0009027
8	Nozzle Ass'y, Check Valve	A007022	A007163	A007022	A007039	A007022	A007163	A007064
9	Shaft Ass'y, Throttle	A011048	A011033	A011048	A011095	A011048	A011104	A011103
10	Lever, Throttle	-----	-----	-----	-----	-----	-----	A012007
11	Spring, Throttle Return	0013016	0013016	0013016	0013043	0013016	0013016	0013016
12	Valve, Throttle	0014045	0014015	0014045	0014041	0014045	0014015	0014016
13	Diaphragm Ass'y, Metering	●● A015011	●● A015010	●● A015010	●● A015010	●● A015010	●● A015011	●● A015011
14	Diaphragm, Pump	●● 0015051	●● 0015051	●● 0015051	●● 0015051	●● 0015051	●● 0015051	●● 0015051
15	Diaphragm, Surge	-----	-----	-----	-----	-----	-----	-----
16	Gasket, Metering Chamber	●● 0016021	●● 0016019	●● 0016019	●● 0016019	●● 0016019	●● 0016021	●● 0016021
17	Gasket, Pump	●● 0016046	●● 0016046	●● 0016046	●● 0016046	●● 0016046	●● 0016046	●● 0016046
18	Cover, Pump	▲	▲ 0017046	-----	▲	-----	▲ 0017046	-----
19	Valve, Inlet Needle	★ 0018002	★ 0018002	★ 0018002	★ 0018002	★ 0018002	★ 0018002	★ 0018002
20	Spring, Metering Lever	★ 0019014	★ 0019002	★ 0019014	★ 0019014	★ 0019014	★ 0019014	★ 0019002
21	Lever, Metering	★ 0020012	★ 0020012	★ 0020012	★ 0020012	★ 0020012	★ 0020012	★ 0020012
22	Pin	★ 0021001	★ 0021001	★ 0021001	★ 0021001	★ 0021001	★ 0021001	★ 0021001
23	Cover, Metering Chamber	-----	0028022	0028022	0028022	0028022	-----	-----
24	Spring, Adjust Screw	0029005	0029005	0029005	0029005	0029001	0029001	0029001
25	Spring, Adjust Screw	-----	-----	-----	-----	-----	-----	-----
26	Screw, Main Mixture	0030076	0030040	0030076	0030096	0030096	0030102	0030092
27	Screw, Idle Mixture	0031075	0031041	0031075	0031091	0031091	0031100	0031090
28	Screw, Throttle Adjust	▲	▲ 0035007	■	▲	■ 0035033	▲ 0035033	-----
29	Piece, Friction	▲	▲ 0036001	■	▲	■ 0036001	▲ 0036001	-----
30	Spring, Friction	0038001	0038001	0038001	-----	0038001	0038001	0038001
31	Shaft Ass'y, Choke	0041047	A041009	0041047	-----	0041078	A041015	0041039
32	Valve, Choke	0043024	0043008	0043024	-----	0043024	0043015	0043024
33	Post	-----	-----	-----	-----	-----	0045003	-----
34	Collar	-----	-----	-----	-----	-----	-----	-----
35	Plunger	-----	-----	-----	-----	-----	-----	-----
36	Spring (Plunger Return)	-----	-----	-----	-----	-----	-----	-----
37	Spring (Syringe)	-----	-----	-----	-----	-----	-----	-----
38	Base Ass'y, Primer	A056011	-----	■	-----	■ A056050	A056024	A056025
39	Syringe	0057003	-----	0057003	-----	0057004	0057003	0057003
40	Screw (Pin)	14903006	14903006	14903006	14903006	14903006	14903006	14903006
41	Screw (Throttle Valve)	15603004	15603004	15603004	15603004	15603004	15603004	15603004
42	Screw (Choke Valve)	-----	15603004	-----	-----	-----	15603004	-----
43	Screw (Post)	-----	-----	-----	-----	-----	15603005	-----
44	Screw (Metering Cover)	17103008	17203006	17203006	17203006	17203006	17103008	17103008
45	Screw (Pump Cover)	17104009	17104009	17104015	17104010	17104015	17104010	17104010
46	Screw (Throttle Lever)	-----	-----	-----	-----	-----	-----	17103004
47	Ball, Steel	19290030	19290030	19290030	-----	19290030	19290030	19290030
48	E-Ring (Throttle Shaft)	19500030	19500030	19500030	19500030	19500030	19500030	19500040
49	E-Ring (Post)	-----	-----	-----	-----	-----	19500020	-----
50	O-Ring (Plunger)	-----	-----	-----	-----	-----	-----	-----
51	Limiter, Mixture (H)	0061015	0061001	0061015	0061025	0061025	0061025	0061025
52	Limiter, Mixture (L)	0061016	0061002	0061016	0061026	0061026	0061026	0061026
53	Screw (Retainer)	17203012	-----	-----	-----	-----	17203012	17203012
54	Washer (Limiter)	0026014	0026014	0026014	0026006	0026014	0026014	0026014
55	Retainer (Limiter)	0009025	-----	0009025	0009028	0009028	0009028	0009028
56	Governor Ass'y	-----	-----	-----	-----	-----	-----	-----
57	Washer (Governor)	-----	-----	-----	-----	-----	-----	-----
58	Boot	-----	-----	-----	-----	-----	-----	-----
59	O-Ring (Throttle Shaft)	-----	-----	-----	-----	-----	-----	-----
60	Lever, Choke	-----	-----	-----	-----	-----	-----	-----
61	Lever, Choke Control	-----	-----	-----	-----	-----	-----	-----
62	Spring, Choke Return	-----	-----	-----	-----	-----	-----	-----
63	Diaphragm, Start Pump	-----	-----	-----	-----	-----	-----	-----
64	Gasket, Start Pump	-----	-----	-----	-----	-----	-----	-----
65	E-Ring (Choke Shaft)	-----	-----	-----	-----	-----	-----	-----
66	SCREW	-----	-----	-----	-----	-----	-----	-----

PARTS LIST

C1U TYPE

REF	PART NAME	C1U H37	C1U H39	C1U H39A	C1U H40	C1U H41	C1U H47	C1U H48,A
	Venturi	10 mm	9 mm	9 mm	7 mm	9 mm	9mm	9mm
★	Rebuild Kit	RB-20	RB-29	RB-29	RB-29	RB-29	RB-29	RB-29
●	Gasket & Diaphragm Kit	★ GND-12	★ GND-18	★ GND-18	★ GND-12	★ GND-18	★ GND-18	★ GND-18
▲	Cover Kit, Pump	-----	-----	-----	K017040	-----	-----	-----
■	Base Kit, Primer	-----	K056029	K056029	-----	K056029	K056029	K056029
⊕	Plunger kit	-----	-----	-----	-----	-----	-----	-----
1	Strainer	★ 0004004	★ 0004004	★ 0004004	★ 0004004	★ 0004004	★ 0004004	★ 0004004
2	Strainer	-----	-----	-----	-----	-----	-----	-----
3	Strainer	-----	-----	-----	-----	-----	-----	-----
4	Plug, Welch	★ 0005005	★ 0005004	★ 0005004	★ 0005004	★ 0005004	★ 0005004	★ 0005004
5	Valve, Check	0008004	-----	-----	-----	-----	-----	-----
6	Retainer, Check Valve	0009008	-----	-----	-----	-----	-----	-----
7	Retainer, Syringe	0009027	0009015	0009015	-----	0009015	0009015	0009015
8	Nozzle Ass'y, Check Valve	A007031	-----	-----	-----	A007163	-----	A007163
9	Shaft Ass'y, Throttle	A011055	A011164	A011164	A011104	A011143	A011104	A011143
10	Lever, Throttle	-----	-----	-----	-----	-----	-----	-----
11	Spring, Throttle Return	0013027	0013016	0013016	0013016	0013016	0013016	0013016
12	Valve, Throttle	0014047	0014057	0014057	0014041	0014041	0014057	0014041
13	Diaphragm Ass'y, Metering	●● A015011	●● A015010	●● A015010	●● A015011	●● A015010	●● A015010	●● A015010
14	Diaphragm, Pump	●● 0015051	●● 0015051	●● 0015051	●● 0015051	●● 0015051	●● 0015051	●● 0015051
15	Diaphragm, Surge	-----	-----	-----	-----	-----	-----	-----
16	Gasket, Metering Chamber	●● 0016021	●● 0016019	●● 0016019	●● 0016021	●● 0016019	●● 0016019	●● 0016019
17	Gasket, Pump	●● 0016046	●● 0016046	●● 0016046	●● 0016046	●● 0016046	●● 0016046	●● 0016046
18	Cover, Pump	0017045	-----	-----	▲ 0017046	-----	-----	-----
19	Valve, Inlet Needle	★ 0018002	★ 0018002	★ 0018002	★ 0018002	★ 0018002	★ 0018002	★ 0018002
20	Spring, Metering Lever	★ 0019002	★ 0019014	★ 0019014	★ 0019014	★ 0019014	★ 0019014	★ 0019014
21	Lever, Metering	★ 0020012	★ 0020012	★ 0020012	★ 0020012	★ 0020012	★ 0020012	★ 0020012
22	Pin	★ 0021001	★ 0021001	★ 0021001	★ 0021001	★ 0021001	★ 0021001	★ 0021001
23	Cover, Metering Chamber	-----	0028022	0028022	-----	0028022	0028022	0028022
24	Spring, Adjust Screw	0029001	0029001	-----	0029001	-----	-----	-----
25	Spring, Adjust Screw	-----	-----	-----	-----	-----	-----	-----
26	Screw, Main Mixture	0030092	-----	-----	-----	0030173	-----	0030173
27	Screw, Idle Mixture	0031090	0031091	0031175	0031091	0031174	0031151	0031174
28	Screw, Throttle Adjust	-----	■ 0035033	■ 0035033	▲ 0035035	■ 0035033	■ 0035033	■ 0035033
29	Piece, Friction	-----	■ 0036001	■ 0036001	▲ 0036001	■ 0036001	■ 0036001	■ 0036001
30	Spring, Friction	0038001	0038001	0038001	0038001	0038001	-----	0038001
31	Shaft Ass'y, Choke	0041039	0041078	0041078	A041015	0041078	0041088	0041114
32	Valve, Choke	0043024	0043024	0043024	0043015	0043024	0043024	0043024
33	Post	0045003	-----	-----	0045003	-----	-----	-----
34	Collar	-----	-----	-----	-----	-----	-----	-----
35	Plunger	-----	-----	-----	-----	-----	-----	-----
36	Spring (Plunger Return)	-----	-----	-----	-----	-----	-----	-----
37	Spring (Syringe)	-----	-----	-----	-----	-----	-----	-----
38	Base Ass'y, Primer	A056025	■ A056050	■ A056050	A056024	■ A056050	■ A056050	■ A056050
39	Syringe	0057003	0057004	0057004	0057004	0057004	0057004	0057004
40	Screw (Pin)	14903006	14903006	14903006	14903006	14903006	14903006	14903006
41	Screw (Throttle Valve)	156030045	15603004	15603004	156030045	156030045	15603004	156030045
42	Screw (Choke Valve)	-----	-----	-----	156030045	-----	-----	-----
43	Screw (Post)	16103005	-----	-----	-----	-----	-----	-----
44	Screw (Metering Cover)	17103008	17203006	17203006	17103008	17203006	17203006	17203006
45	Screw (Pump Cover)	17104010	17104015	17104015	17104010	17104015	17104015	17104015
46	Screw (Throttle Lever)	-----	-----	-----	-----	-----	-----	-----
47	Ball, Steel	19290030	19290030	19290030	19290030	19290030	19290030	19290030
48	E-Ring (Throttle Shaft)	19500040	19500030	19500030	19500030	19500030	19500030	19500030
49	E-Ring (Post)	19500020	-----	-----	19500020	-----	-----	-----
50	O-Ring (Plunger)	-----	-----	-----	-----	-----	-----	-----
51	Limiter, Mixture (H)	0061025	0061025	0061025	0061025	0061025	0061025	0061025
52	Limiter, Mixture (L)	0061026	-----	-----	-----	0061026	-----	0061026
53	Screw (Retainer)	17203012	-----	-----	17203012	-----	-----	-----
54	Washer (Limiter)	0026014	0026014	0026014	0026014	0026014	0026014	0026014
55	Retainer (Limiter)	0009028	0009028	0009028	0009027	0009028	0009028	0009028
56	Governor Ass'y	-----	-----	-----	-----	-----	-----	-----
57	Washer (Governor)	-----	-----	-----	-----	-----	-----	-----
58	Boot	-----	-----	-----	-----	0051027	-----	0051027
59	O-Ring (Throttle Shaft)	-----	-----	-----	-----	-----	-----	-----
60	Lever, Choke	-----	-----	-----	-----	-----	-----	-----
61	Lever, Choke Control	-----	-----	-----	-----	-----	-----	-----
62	Spring, Choke Return	-----	-----	-----	-----	-----	-----	-----
63	Diaphragm, Start Pump	-----	-----	-----	-----	-----	-----	-----
64	Gasket, Start Pump	-----	-----	-----	-----	-----	-----	-----
65	E-Ring (Choke Shaft)	-----	-----	-----	-----	-----	-----	-----
66	SCREW	-----	-----	-----	-----	-----	-----	-----

PARTS LIST

C1U TYPE

REF	PART NAME	C1U H60	C1U H60A	C1U H60B	C1U H60C,D	C1U H60E	C1U H61	C1U H61A
	Venturi	9mm	9mm	9mm	9mm	9mm	9.5 mm	9.5 mm
★	Rebuild Kit	RB-29	RB-29	RB-29	RB-29	RB-29	RB-20	RB-20
●	Gasket & Diaphragm Kit	★ GND-18	★ GND-18	★ GND-18	★ GND-18	★ GND-18	★ GND-12	★ GND-12
▲	Cover Kit, Pump	-----	-----	-----	-----	-----	-----	-----
■	Base Kit, Primer	K056029	K056029	K056029	K056029	K056029	-----	-----
‡	Plunger kit	-----	-----	-----	-----	-----	-----	-----
1	Strainer	★ 0004004	★ 0004004	★ 0004004	★ 0004004	★ 0004004	★ 0004004	★ 0004004
2	Strainer	-----	-----	-----	-----	-----	-----	-----
3	Strainer	-----	-----	-----	-----	-----	-----	-----
4	Plug, Welch	★ 0005004	★ 0005004	★ 0005004	★ 0005004	★ 0005004	★ 0005004	★ 0005004
5	Valve, Check	-----	-----	-----	-----	-----	-----	-----
6	Retainer, Check Valve	-----	-----	-----	-----	-----	-----	-----
7	Retainer, Syringe	0009015	0009015	0009015	0009015	0009015	0009065	0009065
8	Nozzle Ass'y, Check Valve	A007058	A007058	A007058	A007058	A007058	A007196	A007196
9	Shaft Ass'y, Throttle	A011143	A011143	A011198	A011198	A011198	A011194	A011194
10	Lever, Throttle	-----	-----	-----	-----	-----	A012007	A012007
11	Spring, Throttle Return	0013016	0013016	0013016	0013016	0013016	0013016	0013016
12	Valve, Throttle	0014041	0014041	0014041	0014041	0014041	0014103	0014103
13	Diaphragm Ass'y, Metering	●● A015010	●● A015010	●● A015010	●● A015010	●● A015010	●● A015011	●● A015011
14	Diaphragm, Pump	●● 0015051	●● 0015051	●● 0015051	●● 0015051	●● 0015051	●● 0015051	●● 0015051
15	Diaphragm, Surge	-----	-----	-----	-----	-----	-----	-----
16	Gasket, Metering Chamber	●● 0016019	●● 0016019	●● 0016019	●● 0016019	●● 0016019	●● 0016021	●● 0016021
17	Gasket, Pump	●● 0016046	●● 0016046	●● 0016046	●● 0016046	●● 0016046	●● 0016046	●● 0016046
18	Cover, Pump	-----	-----	-----	-----	-----	0017045	0017045
19	Valve, Inlet Needle	★ 0018002	★ 0018002	★ 0018002	★ 0018002	★ 0018002	★ 0018002	★ 0018002
20	Spring, Metering Lever	★ 0019014	★ 0019014	★ 0019014	★ 0019014	★ 0019014	★ 0019002	★ 0019002
21	Lever, Metering	★ 0020012	★ 0020012	★ 0020012	★ 0020012	★ 0020012	★ 0020012	★ 0020012
22	Pin	★ 0021001	★ 0021001	★ 0021001	★ 0021001	★ 0021001	★ 0021001	★ 0021001
23	Cover, Metering Chamber	0028022	0028022	0028022	0028022	0028022	-----	-----
24	Spring, Adjust Screw	-----	-----	-----	-----	-----	-----	-----
25	Spring, Adjust Screw	-----	-----	-----	-----	-----	-----	-----
26	Screw, Main Mixture	0030152	0030152	0030152	0030152	0030241	0030206	0030206
27	Screw, Idle Mixture	0031151	0031151	0031151	0031151	0031241	0031174	0031174
28	Screw, Throttle Adjust	■ 0035033	■ 0035033	■ 0035033	■ 0035033	■ 0035033	■ 0035033	-----
29	Piece, Friction	■ 0036001	■ 0036001	■ 0036001	■ 0036001	■ 0036001	-----	-----
30	Spring, Friction	-----	-----	-----	-----	-----	0038001	0038001
31	Shaft Ass'y, Choke	0041088	0041114	0041114	0041114	0041114	0041115	0041115
32	Valve, Choke	0043024	0043024	0043024	0043059	0043059	0043024	0043024
33	Post	-----	-----	-----	-----	-----	-----	-----
34	Collar	-----	-----	-----	-----	-----	-----	-----
35	Plunger	-----	-----	-----	-----	-----	-----	-----
36	Spring (Plunger Return)	-----	-----	-----	-----	-----	-----	-----
37	Spring (Syringe)	-----	-----	-----	-----	-----	-----	-----
38	Base Ass'y, Primer	■ A056050	■ A056050	■ A056050	■ A056050	■ A056050	A056098	A056098
39	Syringe	★ 0057004	★ 0057004	★ 0057004	★ 0057004	★ 0057004	0057003	0057003
40	Screw (Pin)	14903006	14903006	14903006	14903006	14903006	14903006	14903006
41	Screw (Throttle Valve)	156030045	156030045	156030045	156030045	156030045	15603045	15603045
42	Screw (Choke Valve)	-----	-----	-----	-----	-----	-----	-----
43	Screw (Post)	-----	-----	-----	-----	-----	-----	-----
44	Screw (Metering Cover)	17203006	17203006	17203006	17203006	17203006	-----	-----
45	Screw (Pump Cover)	17104015	17104015	17104015	17104015	17104015	17104010	17104010
46	Screw (Throttle Lever)	-----	-----	-----	-----	-----	17103004	17103004
47	Ball, Steel	19290030	19290030	19290030	19290030	19290030	19290030	19290030
48	E-Ring (Throttle Shaft)	19500030	19500030	19500030	19500030	19500030	19500040	19500040
49	E-Ring (Post)	-----	-----	-----	-----	-----	-----	-----
50	O-Ring (Plunger)	-----	-----	-----	-----	-----	-----	-----
51	Limiter, Mixture (H)	0061025	0061025	0061062	0061062	-----	0061025	0061062
52	Limiter, Mixture (L)	0061026	0061026	0061026	0061026	-----	0061026	0061026
53	Screw (Retainer)	-----	-----	-----	-----	-----	17203012	17203012
54	Washer (Limiter)	0026014	0026014	0026014	0026014	-----	0026014	0026014
55	Retainer (Limiter)	0009028	0009028	0009028	0009028	-----	0009028	0009028
56	Governor Ass'y	-----	-----	-----	-----	-----	-----	-----
57	Washer (Governor)	-----	-----	-----	-----	-----	-----	-----
58	Boot	0051027	0051027	0051027	0051027	-----	0051027	0051027
59	O-Ring (Throttle Shaft)	-----	-----	-----	-----	-----	-----	-----
60	Lever, Choke	-----	-----	-----	-----	-----	-----	-----
61	Lever, Choke Control	-----	-----	-----	-----	-----	-----	-----
62	Spring, Choke Return	-----	-----	-----	-----	-----	-----	-----
63	Diaphragm, Start Pump	-----	-----	-----	-----	-----	-----	-----
64	Gasket, Start Pump	-----	-----	-----	-----	-----	-----	-----
65	E-Ring (Choke Shaft)	-----	-----	-----	-----	-----	-----	-----
66	SCREW	-----	-----	-----	-----	-----	-----	-----

PARTS LIST

C1U TYPE

REF	PART NAME	C1U H62.A	C1U K4	C1U K7. A	C1U K8. A	C1U K9. A	C1U K10	C1U K10A
	Venturi	9mm	8 mm	8 mm	8 mm	8 mm	8 mm	8 mm
★	Rebuild Kit	RB-141	RB-21	RB-21	RB-21	RB-21	RB-21	RB-27
●	Gasket & Diaphragm Kit	★ GND-77	★ GND-18	★ GND-18	★ GND-18	★ GND-18	★ GND-18	★ GND-17
▲	Cover Kit, Pump	-----	K017013	K017065	-----	K017065	K017030	K017013
■	Base Kit, Primer	K056042	-----	-----	K056033	-----	-----	-----
⊕	Plunger kit	-----	-----	-----	-----	-----	-----	-----
1	Strainer	★ 0004011	★ 0004004	★ 0004004	★ 0004004	★ 0004004	★ 0004004	★ 0004004
2	Strainer	-----	-----	-----	-----	-----	-----	-----
3	Strainer	-----	-----	-----	-----	-----	-----	-----
4	Plug, Welch	★ 0005004	★ 0005004	★ 0005004	★ 0005004	★ 0005004	★ 0005004	★ 0005004
5	Valve, Check	-----	-----	-----	-----	-----	-----	-----
6	Retainer, Check Valve	-----	-----	-----	-----	-----	-----	-----
7	Retainer, Syringe	0009084	-----	-----	0009015	-----	-----	-----
8	Nozzle Ass'y, Check Valve	A007163	A007021	A007189	A007026	A007189	A007021	A007021
9	Shaft Ass'y, Throttle	A011238	A011019	A011019	A011019	A011019	A011019	A011019
10	Lever, Throttle	0012154	-----	-----	-----	-----	-----	-----
11	Spring, Throttle Return	0013016	0013016	0013016	0013016	0013016	0013016	0013016
12	Valve, Throttle	0014041	0014016	0014016	0014016	0014016	0014016	0014016
13	Diaphragm Ass'y, Metering	●● A015010	●● A015010	●● A015010	●● A015010	●● A015010	●● A015010	●● A015010
14	Diaphragm, Pump	●● 0015103	●● 0015031V	●● 0015051	●● 0015051	●● 0015051	●● 0015031V	●● 0015031V
15	Diaphragm, Surge	-----	-----	-----	-----	-----	-----	-----
16	Gasket, Metering Chamber	●● 0016019	●● 0016019	●● 0016019	●● 0016019	●● 0016019	●● 0016019	●● 0016018
17	Gasket, Pump	●● 0016091	●● 0016046	●● 0016046	●● 0016046	●● 0016046	●● 0016046	●● 0016046
18	Cover, Pump	-----	▲ 0017018	▲ 0017046	-----	▲ 0017046	▲ 0017046	▲ 0017018
19	Valve, Inlet Needle	★ 0018002	★ 0018002	★ 0018002	★ 0018002	★ 0018002	★ 0018002	★ 0018002
20	Spring, Metering Lever	★ 0019005	★ 0019007	★ 0019007	★ 0019007	★ 0019007	★ 0019007	★ 0019007
21	Lever, Metering	★ 0020012	★ 0020012	★ 0020012	★ 0020012	★ 0020012	★ 0020012	★ 0020012
22	Pin	★ 0021001	★ 0021001	★ 0021001	★ 0021001	★ 0021001	★ 0021001	★ 0021001
23	Cover, Metering Chamber	0028022	0028022	0028022	0028022	0028022	0028014	0028022
24	Spring, Adjust Screw	-----	0029005	0029005	0029005	0029005	0029005	0029005
25	Spring, Adjust Screw	-----	-----	▲ 0029032	■ 0029032	▲ 0029032	-----	-----
26	Screw, Main Mixture	0030241	0030024	0030004	0030024	0030004	0030004	0030024
27	Screw, Idle Mixture	0031241	0031023	0031023	0031023	0031023	0031023	0031023
28	Screw, Throttle Adjust	0035035	▲ 0035007	▲ 0035033	■ 0035033	▲ 0035033	▲ 0035007	▲ 0035007
29	Piece, Friction	0036001	▲ 0036001	-----	-----	-----	▲ 0036001	▲ 0036001
30	Spring, Friction	-----	-----	-----	-----	-----	-----	-----
31	Shaft Ass'y, Choke	A041118	-----	-----	-----	-----	-----	-----
32	Valve, Choke	-----	-----	-----	-----	-----	-----	-----
33	Post	-----	0045002	0045002	0045002	0045002	0045002	0045002
34	Collar	0052006	-----	-----	-----	-----	-----	-----
35	Plunger	-----	-----	-----	-----	-----	-----	-----
36	Spring (Plunger Return)	-----	-----	-----	-----	-----	-----	-----
37	Spring (Syringe)	-----	-----	-----	0054004	-----	-----	-----
38	Base Ass'y, Primer	-----	-----	-----	■ A056004	-----	-----	-----
39	Syringe	0057004	-----	-----	0057003	-----	-----	-----
40	Screw (Pin)	14903006	14903006	14903006	14903006	14903006	14903006	14903006
41	Screw (Throttle Valve)	156030045	15603004	15603004	15603004	15603004	15603004	15603004
42	Screw (Choke Valve)	-----	-----	-----	-----	-----	-----	-----
43	Screw (Post)	-----	-----	-----	-----	-----	-----	-----
44	Screw (Metering Cover)	17203006	17203006	17203006	17203006	17203006	17203006	17203006
45	Screw (Pump Cover)	-----	17104009	17104009	17104015	17104009	17104009	17104009
46	Screw (Throttle Lever)	17103004	-----	-----	-----	-----	-----	-----
47	Ball, Steel	-----	-----	-----	-----	-----	-----	-----
48	E-Ring (Throttle Shaft)	-----	19500030	19500030	19500030	19500030	19500030	19500030
49	E-Ring (Post)	-----	19500040	19500040	19500040	19500040	19500040	19500040
50	O-Ring (Plunger)	-----	-----	-----	-----	-----	-----	-----
51	Limit, Mixture (H)	-----	-----	-----	-----	-----	-----	-----
52	Limit, Mixture (L)	-----	-----	-----	-----	-----	-----	-----
53	Screw (Retainer)	17203012	-----	-----	-----	-----	-----	-----
54	Washer (Limit)	-----	-----	-----	-----	-----	-----	-----
55	Retainer (Limit)	-----	-----	-----	-----	-----	-----	-----
56	Governor Ass'y	-----	-----	-----	-----	-----	-----	-----
57	Washer (Governor)	-----	-----	-----	-----	-----	-----	-----
58	Boot	-----	-----	-----	-----	-----	-----	-----
59	O-Ring (Throttle Shaft)	-----	-----	-----	-----	-----	-----	-----
60	Lever, Choke	-----	-----	-----	-----	-----	-----	-----
61	Lever, Choke Control	-----	-----	-----	-----	-----	-----	-----
62	Spring, Choke Return	0013085	-----	-----	-----	-----	-----	-----
63	Diaphragm, Start Pump	-----	-----	-----	-----	-----	-----	-----
64	Gasket, Start Pump	-----	-----	-----	-----	-----	-----	-----
65	E-Ring (Choke Shaft)	19500035	-----	-----	-----	-----	-----	-----
66	SCREW	-----	-----	-----	-----	-----	-----	-----

PARTS LIST

C1U TYPE

REF	PART NAME	C1U K11	C1U K12	C1U K13	C1U K14	C1U K15A	C1U K15B	C1U K16, A
	Venturi	8 mm	8 mm	8 mm	7 mm	8 mm	8 mm	8 mm
★	Rebuild Kit	RB-21	RB-27	RB-63	RB-21	RB-21	RB-21	RB-21
●	Gasket & Diaphragm Kit	GND-18	GND-17	GND-17	GND-18	GND-18	GND-18	GND-18
▲	Cover Kit, Pump	K017030	K017013	K017030	K017020			
■	Base Kit, Primer					K056039	K056034	K056034
⊕	Plunger kit							
1	Strainer	★ 0004004	★ 0004004	★ 0004004	★ 0004004	★ 0004004	★ 0004004	★ 0004004
2	Strainer							
3	Strainer							
4	Plug, Welch	★ 0005004	★ 0005004	★ 0005004	★ 0005004	★ 0005004	★ 0005004	★ 0005004
5	Valve, Check							
6	Retainer, Check Valve							
7	Retainer, Syringe					0009015	0009015	0009015
8	Nozzle Ass'y, Check Valve	A007021	A007026	A007034	A007044	A007026	A007026	A007026
9	Shaft Ass'y, Throttle	A011040	A011019	A011019	A011040	A011019	A011019	A011019
10	Lever, Throttle	0012042						
11	Spring, Throttle Return	0013016	0013016	0013016	0013016	0013016	0013016	0013016
12	Valve, Throttle	0014016	0014016	0014031		0014016	0014016	0014016
13	Diaphragm Ass'y, Metering	●● A015010	●● A015010	●● A015010	●● A015010	●● A015010	●● A015010	●● A015010
14	Diaphragm, Pump	●● 0015031V	●● 0015031V	●● 0015031V	●● 0015031V	●● 0015031V	●● 0015031V	●● 0015031V
15	Diaphragm, Surge							
16	Gasket, Metering Chamber	●● 0016019	●● 0016018	●● 0016018	●● 0016019	●● 0016019	●● 0016019	●● 0016019
17	Gasket, Pump	●● 0016046	●● 0016046	●● 0016046	●● 0016046	●● 0016046	●● 0016046	●● 0016046
18	Cover, Pump	▲ 0017046	▲ 0017018	▲ 0017046	▲ 0017018			
19	Valve, Inlet Needle	★ 0018002	★ 0018002	★ 0018002	★ 0018002	★ 0018002	★ 0018002	★ 0018002
20	Spring, Metering Lever	★ 0019007	★ 0019007	★ 0019005	★ 0019007	★ 0019007	★ 0019007	★ 0019007
21	Lever, Metering	★ 0020012	★ 0020012	★ 0020012	★ 0020012	★ 0020012	★ 0020012	★ 0020012
22	Pin	★ 0021001	★ 0021001	★ 0021001	★ 0021001	★ 0021001	★ 0021001	★ 0021001
23	Cover, Metering Chamber	0028022	0028022	0028022	0028022	0028022	0028022	0028015
24	Spring, Adjust Screw	0029005	0029005	0029005	0029005	0029005	0029005	0029005
25	Spring, Adjust Screw						■ 0029032	■ 0029032
26	Screw, Main Mixture	0030024	0030023	0030046	0030046	0030024	0030024	0030023
27	Screw, Idle Mixture	0031023	0031023	0031023	0031028	0031023	0031023	0031023
28	Screw, Throttle Adjust	▲ 0035007	▲ 0035007	▲ 0035007	▲ 0035023	■ 0035007	■ 0035033	■ 0035033
29	Piece, Friction	▲ 0036001	▲ 0036001	▲ 0036001	▲ 0036001	■ 0036001		
30	Spring, Friction							
31	Shaft Ass'y, Choke							
32	Valve, Choke							
33	Post		0045002	0045002		0045002	0045002	0045002
34	Collar							
35	Plunger							
36	Spring (Plunger Return)							
37	Spring (Syringe)							
38	Base Ass'y, Primer					■ A056089	■ A056089	■ A056089
39	Syringe					0057003	0057004	0057004
40	Screw (Pin)	14903006	14903006	14903006	14903006	14903006	14903006	14903006
41	Screw (Throttle Valve)	15603004	15603004	15603004	15603004	15603004	15603004	15603004
42	Screw (Choke Valve)							
43	Screw (Post)							
44	Screw (Metering Cover)	17203006	17203006	17203006	17203006	17203006	17203006	17203006
45	Screw (Pump Cover)	17104009	17104009	17104009	17104009	17104015	17104015	
46	Screw (Throttle Lever)	17103004			17103004			
47	Ball, Steel							
48	E-Ring (Throttle Shaft)	19500040	19500030	19500030	19500040	19500030	19500030	19500030
49	E-Ring (Post)		19500040	19500040		19500040	19500040	19500040
50	O-Ring (Plunger)							
51	Limiter, Mixture (H)							
52	Limiter, Mixture (L)							
53	Screw (Retainer)							
54	Washer (Limiter)							
55	Retainer (Limiter)							
56	Governor Ass'y							
57	Washer (Governor)							
58	Boot							
59	O-Ring (Throttle Shaft)							
60	Lever, Choke							
61	Lever, Choke Control							
62	Spring, Choke Return							
63	Diaphragm, Start Pump							
64	Gasket, Start Pump							
65	E-Ring (Choke Shaft)							
66	SCREW							

PARTS LIST

C1U TYPE

REF	PART NAME	C1U K17	C1U K18, A-B	C1U K19	C1U K20, A-C	C1U K21	C1U K21A-B	C1U K22, A
	Venturi	8 mm	8 mm	11 mm	11 mm	11 mm	11 mm	11 mm
★	Rebuild Kit	RB-23	RB-63	RB-25	RB-26	RB-27	RB-26	RB-27
●	Gasket & Diaphragm Kit	★ GND-12	★ GND-17	★ GND-17	★ GND-17	★ GND-17	★ GND-17	★ GND-17
▲	Cover Kit, Pump	K017013						
■	Base Kit, Primer		K056034	K056039	K056034	K056034	K056034	K056034
⊕	Plunger kit							
1	Strainer	★ 0004004	★ 0004004	★ 0004004	★ 0004004	★ 0004004	★ 0004004	★ 0004004
2	Strainer							
3	Strainer							
4	Plug, Welch	★ 0005004	★ 0005004	★ 0005010	★ 0005004	★ 0005004	★ 0005004	★ 0005004
5	Valve, Check							
6	Retainer, Check Valve							
7	Retainer, Syringe	0009010	0009015	0009015	0009015	0009015	0009015	0009015
8	Nozzle Ass'y, Check Valve	A007059		A007029	A007057	A007046	A007057	A007190
9	Shaft Ass'y, Throttle	A011019	A011019	A011019	A011019	A011019	A011019	A011069
10	Lever, Throttle							
11	Spring, Throttle Return	0013016	0013016	0013016	0013016	0013016	0013016	0013016
12	Valve, Throttle	0014016	0014031	0014016	0014033	0014034	0014033	0014016
13	Diaphragm Ass'y, Metering	●● A015011	●● A015010	●● A015010	●● A015010	●● A015010	●● A015010	●● A015010
14	Diaphragm, Pump	●● 0015031V	●● 0015051	●● 0015031V	●● 0015051	●● 0015031V	●● 0015051	●● 0015051
15	Diaphragm, Surge							
16	Gasket, Metering Chamber	●● 0016021	●● 0016018	●● 0016018	●● 0016018	●● 0016018	●● 0016018	●● 0016018
17	Gasket, Pump	●● 0016046	●● 0016046	●● 0016046	●● 0016046	●● 0016046	●● 0016046	●● 0016046
18	Cover, Pump	▲ 0017018						
19	Valve, Inlet Needle	★ 0018002	★ 0018002	★ 0018002	★ 0018002	★ 0018002	★ 0018002	★ 0018002
20	Spring, Metering Lever	★ 0019007	★ 0019005	★ 0019014	★ 0019009	★ 0019007	★ 0019009	★ 0019007
21	Lever, Metering	★ 0020012	★ 0020012	★ 0020012	★ 0020012	★ 0020012	★ 0020012	★ 0020012
22	Pin	★ 0021001	★ 0021001	★ 0021001	★ 0021001	★ 0021001	★ 0021001	★ 0021001
23	Cover, Metering Chamber		0028022	0028022	0028022	0028010	0028022	0028010
24	Spring, Adjust Screw	0029005	0029005	0029005	0029005	0029005	0029005	0029005
25	Spring, Adjust Screw		■ 0029032		■ 0029032	■ 0029032	■ 0029032	■ 0029032
26	Screw, Main Mixture	0030024	0030046	0030024	0030049	0030048	0030049	0030024
27	Screw, Idle Mixture	0031059	0031023	0031023	0031023	0031033	0031023	0031023
28	Screw, Throttle Adjust	▲ 0035007	■ 0035033	■ 0035007	■ 0035033	■ 0035033	■ 0035033	■ 0035033
29	Piece, Friction	▲ 0036001		■ 0036001				
30	Spring, Friction							
31	Shaft Ass'y, Choke							
32	Valve, Choke							
33	Post	0045002	0045002	0045002	0045002	0045002	0045002	0045002
34	Collar							
35	Plunger							
36	Spring (Plunger Return)							
37	Spring (Syringe)							
38	Base Ass'y, Primer	A056012	■ A056089	■ A056089	■ A056089	■ A056089	■ A056089	■ A056089
39	Syringe	0057003	0057004	0057003	0057004	0057003	0057003	0057003
40	Screw (Pin)	14903006	14903006	14903006	14903006	14903006	14903006	14903006
41	Screw (Throttle Valve)	15603004	15603004	15603004	156030045	15603004	15603004	15603004
42	Screw (Choke Valve)							
43	Screw (Post)							
44	Screw (Metering Cover)	17203012	17203006	17203006	17203006	17103007	17103007	17103007
45	Screw (Pump Cover)	17104009	17104015	17104015	17104015	17104015	17104015	17104015
46	Screw (Throttle Lever)							
47	Ball, Steel							
48	E-Ring (Throttle Shaft)	19500030	19500030	19500030	19500030	19500030	19500030	19500030
49	E-Ring (Post)	19500040	19500040	19500040	19500040	19500040	19500040	19500040
50	O-Ring (Plunger)							
51	Limiter, Mixture (H)							
52	Limiter, Mixture (L)							
53	Screw (Retainer)	17103008						
54	Washer (Limiter)							
55	Retainer (Limiter)							
56	Governor Ass'y							
57	Washer (Governor)							
58	Boot							
59	O-Ring (Throttle Shaft)							
60	Lever, Choke							
61	Lever, Choke Control							
62	Spring, Choke Return							
63	Diaphragm, Start Pump							
64	Gasket, Start Pump							
65	E-Ring (Choke Shaft)							
66	SCREW							

PARTS LIST

C1U TYPE

REF	PART NAME	C1U K23	C1U K23A-B	C1U K26	C1U K26A, B	C1U K27, A-C	C1U K27D	C1U K28, A
	Venturi	11 mm	11 mm	7 mm	7 mm	8 mm	8 mm	8 mm
★	Rebuild Kit	RB-26	RB-27	RB-21	RB-52	RB-23	RB-23	RB-48
●	Gasket & Diaphragm Kit	★ GND-17	★ GND-17	★ GND-18	★ GND-18	★ GND-12	★ GND-12	★ GND-18
▲	Cover Kit, Pump					K017065	K017065	
■	Base Kit, Primer	K056039	K056039	K056028	K056028			K056039
‡	Plunger kit							
1	Strainer	★ 0004004	★ 0004004	★ 0004004	★ 0004004	★ 0004004	★ 0004004	★ 0004004
2	Strainer							
3	Strainer							
4	Plug, Welch	★ 0005004	★ 0005010	★ 0005004	★ 0005004	★ 0005004	★ 0005004	★ 0005004
5	Valve, Check							
6	Retainer, Check Valve							
7	Retainer, Syringe	0009015	0009015	0009015	0009015	0009027	0009065	0009015
8	Nozzle Ass'y, Check Valve	A007045	A007045	A007191	A007191	A007059	A007059	A007059
9	Shaft Ass'y, Throttle	A011019	A011019	A011040	A011083	A011077	A011077	A011077
10	Lever, Throttle			0012042	0012042			
11	Spring, Throttle Return	0013016	0013016	0013016	0013016	0013016	0013016	0013016
12	Valve, Throttle	0014033	0014016	0014016	0014016	0014016	0014016	0014010
13	Diaphragm Ass'y, Metering	●● A015010	●● A015010	●● A015010	●● A015010	●● A015011	●● A015011	●● A015010
14	Diaphragm, Pump	●● 0015031V	●● 0015051	●● 0015031V	●● 0015051	●● 0015051	●● 0015051	●● 0015031V
15	Diaphragm, Surge							
16	Gasket, Metering Chamber	●● 0016018	●● 0016018	●● 0016019	●● 0016019	●● 0016021	●● 0016021	●● 0016019
17	Gasket, Pump	●● 0016046	●● 0016046	●● 0016046	●● 0016046	●● 0016046	●● 0016046	●● 0016046
18	Cover, Pump					▲ 0017046	▲ 0017046	
19	Valve, Inlet Needle	★ 0018002	★ 0018002	★ 0018002	★ 0018002	★ 0018002	★ 0018002	★ 0018002
20	Spring, Metering Lever	★ 0019009	★ 0019007	★ 0019007	★ 0019005	★ 0019007	★ 0019007	★ 0019014
21	Lever, Metering	★ 0020012	★ 0020012	★ 0020012	★ 0020012	★ 0020012	★ 0020012	★ 0020012
22	Pin	★ 0021001	★ 0021001	★ 0021001	★ 0021001	★ 0021001	★ 0021001	★ 0021001
23	Cover, Metering Chamber	0028010	0028022	0028010	0028022			0028022
24	Spring, Adjust Screw	0029005	0029005	0029005	0029005	0029005	0029005	0029005
25	Spring, Adjust Screw					▲ 0029032	▲ 0029032	
26	Screw, Main Mixture	0030049	0030049	0030046	0030062	0030024	0030024	0030046
27	Screw, Idle Mixture	0031023	0031044	0031023	0031023	0031059	0031059	0031023
28	Screw, Throttle Adjust	■ 0035007	■ 0035007	■ 0035023	■ 0035023	▲ 0035033	▲ 0035033	■ 0035007
29	Piece, Friction	■ 0036001	■ 0036001	■ 0036001	■ 0036001			■ 0036001
30	Spring, Friction							
31	Shaft Ass'y, Choke							
32	Valve, Choke							
33	Post	0045002	0045002			0045002	0045002	0045002
34	Collar							
35	Plunger							
36	Spring (Plunger Return)							
37	Spring (Syringe)							
38	Base Ass'y, Primer	■ A056089	■ A056089	■ A056089	■ A056089	A056012	A056066	■ A056089
39	Syringe	0057003	0057003	0057003	0057003	0057004	0057004	0057003
40	Screw (Pin)	14903006	14903006	14903006	14903006	14903006	14903006	14903006
41	Screw (Throttle Valve)	156030045	15603004	15603004	15603004	15603004	15603004	156030045
42	Screw (Choke Valve)							
43	Screw (Post)							
44	Screw (Metering Cover)	17103007	17203006	17103007	17203006	17203012	17203012	17203006
45	Screw (Pump Cover)	17104015	17104015	17104015	17104015	17104009	17104009	17104015
46	Screw (Throttle Lever)			17103004	17103004			
47	Ball, Steel							
48	E-Ring (Throttle Shaft)	19500030	19500030	19500040	19500040	19500030	19500030	19500030
49	E-Ring (Post)	19500040	19500040			19500040	19500040	19500040
50	O-Ring (Plunger)							
51	Limiter, Mixture (H)							
52	Limiter, Mixture (L)							
53	Screw (Retainer)					17103008		
54	Washer (Limiter)							
55	Retainer (Limiter)							
56	Governor Ass'y							
57	Washer (Governor)							
58	Boot							
59	O-Ring (Throttle Shaft)							
60	Lever, Choke							
61	Lever, Choke Control							
62	Spring, Choke Return							
63	Diaphragm, Start Pump							
64	Gasket, Start Pump							
65	E-Ring (Choke Shaft)							
66	SCREW							

PARTS LIST

C1U TYPE

REF	PART NAME	C1U K29, A	C1U K30, A	C1U K31	C1U K31A, B	C1U K32, A	C1U K34	C1U K34A
	Venturi	8 mm	8 mm	8 mm	8 mm	8 mm	11 mm	11 mm
★	Rebuild Kit	RB-21	RB-27	RB-26	RB-27	RB-21	RB-26	RB-26
●	Gasket & Diaphragm Kit	GND-18	GND-17	GND-17	GND-17	GND-18	GND-17	GND-17
▲	Cover Kit, Pump							
■	Base Kit, Primer	K056034	K056034	K056039	K056034	K056028	K056039	K056034
⚙	Plunger kit							
1	Strainer	★ 0004004	★ 0004004	★ 0004004	★ 0004004	★ 0004004	★ 0004004	★ 0004004
2	Strainer							
3	Strainer							
4	Plug, Welch	★ 0005004	★ 0005010	★ 0005004	★ 0005004	★ 0005004	★ 0005004	★ 0005004
5	Valve, Check							
6	Retainer, Check Valve							
7	Retainer, Syringe	0009015	0009015	0009015	0009015	0009015	0009015	0009015
8	Nozzle Ass'y, Check Valve	A007026			A007060	A007045	A007057	A007057
9	Shaft Ass'y, Throttle	A011019	A011019	A011019	A011019	A011083	A011019	A011019
10	Lever, Throttle					0012042		
11	Spring, Throttle Return	0013016	0013016	0013016	0013016	0013016	0013016	0013016
12	Valve, Throttle	0014016	0014037	0014031	0014016	0014016	0014033	0014033
13	Diaphragm Ass'y, Metering	●● A015010	●● A015010	●● A015010	●● A015010	●● A015010	●● A015010	●● A015010
14	Diaphragm, Pump	●● 0015051	●● 0015051	●● 0015031V	●● 0015051	●● 0015051	●● 0015031V	●● 0015051
15	Diaphragm, Surge							
16	Gasket, Metering Chamber	●● 0016019	●● 0016018	●● 0016018	●● 0016018	●● 0016019	●● 0016018	●● 0016018
17	Gasket, Pump	●● 0016046	●● 0016046	●● 0016046	●● 0016046	●● 0016046	●● 0016046	●● 0016046
18	Cover, Pump							
19	Valve, Inlet Needle	★ 0018002	★ 0018002	★ 0018002	★ 0018002	★ 0018002	★ 0018002	★ 0018002
20	Spring, Metering Lever	★ 0019007	★ 0019007	★ 0019009	★ 0019007	★ 0019007	★ 0019009	★ 0019009
21	Lever, Metering	★ 0020012	★ 0020012	★ 0020012	★ 0020012	★ 0020012	★ 0020012	★ 0020012
22	Pin	★ 0021001	★ 0021001	★ 0021001	★ 0021001	★ 0021001	★ 0021001	★ 0021001
23	Cover, Metering Chamber	0028022	0028010	0028015	0028022	0028022	0028022	0028022
24	Spring, Adjust Screw	0029005	0029005	0029005	0029005	0029005	0029005	0029005
25	Spring, Adjust Screw	■ 0029032	■ 0029032		■ 0029032			■ 0029032
26	Screw, Main Mixture	0030023	0030059	0030046	0030065	0030046	0030049	0030046
27	Screw, Idle Mixture	0031023	0031033	0031025	0031023	0031023	0031023	0031023
28	Screw, Throttle Adjust	■ 0035033	■ 0035033	■ 0035007	■ 0035033	■ 0035023	■ 0035007	■ 0035033
29	Piece, Friction			■ 0036001		■ 0036001	■ 0036001	
30	Spring, Friction							
31	Shaft Ass'y, Choke							
32	Valve, Choke							
33	Post	0045002	0045002	0045002	0045002		0045002	
34	Collar							
35	Plunger							
36	Spring (Plunger Return)							
37	Spring (Syringe)							
38	Base Ass'y, Primer	■ A056089	■ A056089	■ A056089	■ A056089	■ A056089	■ A056089	■ A056089
39	Syringe	0057004	0057004	0057003	0057004	0057004	0057003	0057004
40	Screw (Pin)	14903006	14903006	14903006	14903006	14903006	14903006	14903006
41	Screw (Throttle Valve)	15603004	156030045	15603004	15603004	15603004	156030045	156030045
42	Screw (Choke Valve)							
43	Screw (Post)							
44	Screw (Metering Cover)	17203006	17103007	17203006	17203006	17203006	17203006	17203006
45	Screw (Pump Cover)	17104015	17104015	17104015	17104015	17104015	17104015	17104015
46	Screw (Throttle Lever)					17103004		
47	Ball, Steel							
48	E-Ring (Throttle Shaft)	19500030	19500030	19500030	19500030	19500040	19500030	19500040
49	E-Ring (Post)	19500040	19500040	19500040	19500040		19500040	
50	O-Ring (Plunger)							
51	Limitter, Mixture (H)							
52	Limitter, Mixture (L)			0061003	0061003			
53	Screw (Retainer)							
54	Washer (Limitter)			0026014	0026014			
55	Retainer (Limitter)							
56	Governor Ass'y							
57	Washer (Governor)							
58	Boot							
59	O-Ring (Throttle Shaft)							
60	Lever, Choke							
61	Lever, Choke Control							
62	Spring, Choke Return							
63	Diaphragm, Start Pump							
64	Gasket, Start Pump							
65	E-Ring (Choke Shaft)							
66	SCREW							

PARTS LIST

C1U TYPE

REF	PART NAME	C1U K35. A	C1U K36. A	C1U K39A-B	C1U K41A-B	C1U K42. A	C1U K42B	C1U K43. A
	Venturi	8 mm	9 mm	9 mm	8 mm	8 mm	8 mm	7 mm
★	Rebuild Kit	RB-27	RB-48	RB-62	RB-62	RB-59	RB-59	RB-59
●	Gasket & Diaphragm Kit	★ GND-17	★ GND-18	★ GND-40	★ GND-40	★ GND-38	★ GND-38	★ GND-38
▲	Cover Kit, Pump	-----	-----	-----	-----	-----	-----	-----
■	Base Kit, Primer	K056034	K056034	K056039	K056039	K056028	K056028	K056028
⚙	Plunger kit	-----	-----	-----	-----	-----	-----	-----
1	Strainer	★ 0004004	★ 0004004	★ 0004004	★ 0004004	★ 0004004	★ 0004004	★ 0004004
2	Strainer	-----	-----	-----	-----	-----	-----	-----
3	Strainer	-----	-----	-----	-----	-----	-----	-----
4	Plug, Welch	★ 0005004	★ 0005004	★ 0005004	★ 0005004	★ 0005004	★ 0005004	★ 0005004
5	Valve, Check	-----	-----	-----	-----	-----	-----	-----
6	Retainer, Check Valve	-----	-----	-----	-----	-----	-----	-----
7	Retainer, Syringe	0009015	0009015	0009015	0009015	0009015	0009015	0009015
8	Nozzle Ass'y, Check Valve	A007060	A007062	A007060	A007065	A007067	A007067	A007068
9	Shaft Ass'y, Throttle	A011019	A011019	A011019	A011019	A011083	A011083	A011083
10	Lever, Throttle	-----	-----	-----	-----	0012094	0012094	0012094
11	Spring, Throttle Return	0013016	0013016	0013016	0013016	0013038	0013038	0013038
12	Valve, Throttle	0014016	0014031	0014007	0014048	0014050	0014050	0014050
13	Diaphragm Ass'y, Metering	●● A015010	●● A015010	●● A015019	●● A015019	●● A015011	●● A015011	●● A015011
14	Diaphragm, Pump	●● 0015051	●● 0015051	●● 0015051	●● 0015051	●● 0015051	●● 0015051	●● 0015051
15	Diaphragm, Surge	-----	-----	-----	-----	-----	-----	-----
16	Gasket, Metering Chamber	●● 0016018	●● 0016019	●● 0016021	●● 0016021	●● 0016035	●● 0016035	●● 0016035
17	Gasket, Pump	●● 0016046	●● 0016046	●● 0016046	●● 0016046	●● 0016046	●● 0016046	●● 0016046
18	Cover, Pump	-----	-----	-----	-----	-----	-----	-----
19	Valve, Inlet Needle	★ 0018002	★ 0018002	★ 0018002	★ 0018002	★ 0018002	★ 0018002	★ 0018002
20	Spring, Metering Lever	★ 0019007	★ 0019014	★ 0019007	★ 0019007	★ 0019005	★ 0019005	★ 0019005
21	Lever, Metering	★ 0020012	★ 0020012	★ 0020012	★ 0020012	★ 0020012	★ 0020012	★ 0020012
22	Pin	★ 0021001	★ 0021001	★ 0021001	★ 0021001	★ 0021001	★ 0021001	★ 0021001
23	Cover, Metering Chamber	0028022	0028022	0028023	0028023	0028023	0028023	0028023
24	Spring, Adjust Screw	0029005	0029005	0029005	0029005	0029005	0029005	0029005
25	Spring, Adjust Screw	■ 0029032	■ 0029032	-----	-----	-----	-----	-----
26	Screw, Main Mixture	0030065	0030048	0030086	0030086	0030087	0030087	0030087
27	Screw, Idle Mixture	0031023	0031023	A031066	0031082	A031084	A031084	A031084
28	Screw, Throttle Adjust	■ 0035033	■ 0035033	■ 0035007	■ 0035007	■ 0035023	■ 0035023	■ 0035023
29	Piece, Friction	-----	-----	■ 0036001	■ 0036001	■ 0036001	■ 0036001	■ 0036001
30	Spring, Friction	-----	-----	-----	-----	-----	-----	-----
31	Shaft Ass'y, Choke	-----	-----	-----	-----	-----	-----	-----
32	Valve, Choke	-----	-----	-----	0014048	-----	-----	-----
33	Post	0045002	0045002	0045002	0045002	-----	-----	-----
34	Collar	-----	-----	-----	-----	-----	-----	-----
35	Plunger	-----	-----	-----	-----	-----	-----	-----
36	Spring (Plunger Return)	-----	-----	-----	-----	-----	-----	-----
37	Spring (Syringe)	-----	-----	-----	-----	-----	-----	-----
38	Base Ass'y, Primer	■ A056089	■ A056089	■ A056089	■ A056089	■ A056089	■ A056089	■ A056089
39	Syringe	0057004	0057004	0057003	0057003	0057004	0057004	0057004
40	Screw (Pin)	14903006	14903006	14903006	14903006	14903006	14903006	14903006
41	Screw (Throttle Valve)	15603004	15603004	15603004	15603004	156030045	156030045	156030045
42	Screw (Choke Valve)	-----	-----	-----	-----	-----	-----	-----
43	Screw (Post)	-----	-----	-----	-----	-----	-----	-----
44	Screw (Metering Cover)	17203006	17203006	17203006	17203006	17203006	17203006	17203006
45	Screw (Pump Cover)	17104015	17104015	17104015	17104015	17104015	17104015	17104015
46	Screw (Throttle Lever)	-----	-----	-----	-----	17103004	17103004	17103004
47	Ball, Steel	-----	-----	-----	-----	-----	-----	-----
48	E-Ring (Throttle Shaft)	19500030	19500030	19500030	19500030	19500040	19500040	19500040
49	E-Ring (Post)	19500040	19500040	19500040	19500040	-----	-----	-----
50	O-Ring (Plunger)	-----	-----	-----	-----	-----	-----	-----
51	Limiters, Mixture (H)	0061003	-----	0061007	0061007	0061007	0061007	0061007
52	Limiters, Mixture (L)	-----	-----	0061010	0061010	0061010	0061010	0061010
53	Screw (Retainer)	-----	-----	-----	-----	-----	-----	-----
54	Washer (Limiters)	0026014	-----	0026014	0026014	0026014	0026014	0026014
55	Retainer (Limiters)	-----	-----	-----	-----	-----	-----	-----
56	Governor Ass'y	-----	-----	-----	-----	-----	-----	-----
57	Washer (Governor)	-----	-----	-----	-----	-----	-----	-----
58	Boot	-----	-----	-----	-----	-----	-----	-----
59	O-Ring (Throttle Shaft)	-----	-----	-----	-----	-----	-----	-----
60	Lever, Choke	-----	-----	-----	-----	-----	-----	-----
61	Lever, Choke Control	-----	-----	-----	-----	-----	-----	-----
62	Spring, Choke Return	-----	-----	-----	-----	-----	-----	-----
63	Diaphragm, Start Pump	-----	-----	-----	-----	-----	-----	-----
64	Gasket, Start Pump	-----	-----	-----	-----	-----	-----	-----
65	E-Ring (Choke Shaft)	-----	-----	-----	-----	-----	-----	-----
66	SCREW	-----	-----	-----	-----	-----	-----	-----

PARTS LIST

C1U TYPE

REF	PART NAME	C1U K43B	C1U K44, A	C1U K44B	C1U K45	C1U K46	C1U K47	C1U K51
	Venturi	8 mm	8 mm	8 mm	8.5 mm	8.5 mm	8.5 mm	8.5 mm
★	Rebuild Kit	RB-59	RB-59	RB-59	RB-27	RB-65	RB-64	RB-64
●	Gasket & Diaphragm Kit	★ GND-38	★ GND-38	★ GND-38	★ GND-17	★ GND-38	★ GND-41	★ GND-41
▲	Cover Kit, Pump	-----	-----	-----	-----	K017066	-----	-----
■	Base Kit, Primer	K056028	K056028	K056028	K056028	-----	K056035	K056035
⚙	Plunger kit	-----	-----	-----	-----	-----	-----	K053054
1	Strainer	★ 0004004	★ 0004004	★ 0004004	★ 0004004	★ 0004004	★ 0004004	★ 0004004
2	Strainer	-----	-----	-----	-----	-----	-----	-----
3	Strainer	-----	-----	-----	-----	-----	-----	◆ 0004006
4	Plug, Welch	★ 0005004	★ 0005004	★ 0005004	★ 0005004	★ 0005004	★ 0005004	★ 0005004
5	Valve, Check	-----	-----	-----	-----	-----	-----	-----
6	Retainer, Check Valve	-----	-----	-----	-----	-----	-----	-----
7	Retainer, Syringe	0009015	0009015	0009015	0009015	0009027	0009015	0009015
8	Nozzle Ass'y, Check Valve	A007067	A007067	A007067	A007070	A007070	A007070	A007245
9	Shaft Ass'y, Throttle	A011083	A011083	A011083	A011100	A011100	A011100	A011112
10	Lever, Throttle	0012094	0012094	0012094	-----	-----	-----	-----
11	Spring, Throttle Return	0013038	0013038	0013038	0013016	0013016	0013016	0013016
12	Valve, Throttle	0014050	0014048	0014050	0014053	0014053	0014053	0014053
13	Diaphragm Ass'y, Metering	●● A015011	●● A015011	●● A015011	●● A015010	●● A015011	●● A015018	●● A015018
14	Diaphragm, Pump	●● 0015051	●● 0015051	●● 0015051	●● 0015051	●● 0015051	●● 0015051	●● 0015051
15	Diaphragm, Surge	-----	-----	-----	-----	-----	-----	-----
16	Gasket, Metering Chamber	●● 0016035	●● 0016035	●● 0016035	●● 0016018	●● 0016035	●● 0016018	●● 0016018
17	Gasket, Pump	●● 0016046	●● 0016046	●● 0016046	●● 0016046	●● 0016046	●● 0016046	●● 0016046
18	Cover, Pump	-----	-----	-----	-----	▲ 0017046	-----	-----
19	Valve, Inlet Needle	★ 0018002	★ 0018002	★ 0018002	★ 0018002	★ 0018002	★ 0018002	★ 0018002
20	Spring, Metering Lever	★ 0019005	★ 0019005	★ 0019005	★ 0019007	★ 0019007	★ 0019007	★ 0019007
21	Lever, Metering	★ 0020012	★ 0020012	★ 0020012	★ 0020012	★ 0020012	★ 0020012	★ 0020012
22	Pin	★ 0021001	★ 0021001	★ 0021001	★ 0021001	★ 0021001	★ 0021001	★ 0021001
23	Cover, Metering Chamber	0028023	0028023	0028023	0028022	-----	0028022	0028022
24	Spring, Adjust Screw	0029005	-----	0029005	0029005	0029005	0029005	0029005
25	Spring, Adjust Screw	-----	-----	-----	-----	▲ 0029007	■ 0029007	■ 0029007
26	Screw, Main Mixture	0030117	0030087	0030117	0030090	0030101	0030090	0030117
27	Screw, Idle Mixture	0031170	A031067	0031171	0031086	0031099	0031086	0031111
28	Screw, Throttle Adjust	■ 0035023	■ 0035023	■ 0035023	■ 0035023	▲ 0035062	■ 0035062	■ 0035062
29	Piece, Friction	■ 0036001	■ 0036001	■ 0036001	■ 0036001	-----	-----	-----
30	Spring, Friction	-----	-----	-----	-----	-----	-----	-----
31	Shaft Ass'y, Choke	-----	-----	-----	-----	-----	-----	-----
32	Valve, Choke	-----	-----	-----	-----	-----	-----	-----
33	Post	-----	-----	-----	0045002	0045002	0045002	0045002
34	Collar	-----	-----	-----	-----	-----	-----	-----
35	Plunger	-----	-----	-----	-----	-----	-----	◆ 0053009
36	Spring (Plunger Return)	-----	-----	-----	-----	-----	-----	◆ 0054055
37	Spring (Syringe)	-----	-----	-----	-----	-----	-----	-----
38	Base Ass'y, Primer	■ A056089	■ A056089	■ A056089	■ A056089	A056012	■ A056062	■ A056062
39	Syringe	0057004	0057004	0057004	0057004	0057004	0057004	0057004
40	Screw (Pin)	14903006	14903006	14903006	14903006	14903006	14903006	14903006
41	Screw (Throttle Valve)	156030045	15603004	156030045	15603004	15603004	15603004	15603004
42	Screw (Choke Valve)	-----	-----	-----	-----	-----	-----	-----
43	Screw (Post)	-----	-----	-----	-----	-----	-----	-----
44	Screw (Metering Cover)	17203006	17203006	17203006	17203006	17103008	17203006	17203006
45	Screw (Pump Cover)	17104015	17104015	17104015	17104015	17104009	17104015	17104015
46	Screw (Throttle Lever)	17103004	17103004	17103004	-----	-----	-----	-----
47	Ball, Steel	-----	-----	-----	-----	-----	-----	-----
48	E-Ring (Throttle Shaft)	19500040	19500040	19500040	19500030	19500030	19500030	19500030
49	E-Ring (Post)	-----	-----	-----	19500040	19500040	19500040	19500040
50	O-Ring (Plunger)	-----	-----	-----	-----	-----	-----	◆ 195702308
51	Limiters, Mixture (H)	0061007	0061007	0061007	0061009	0061009	0061009	0061009
52	Limiters, Mixture (L)	0061010	0061010	0061010	0061010	0061010	0061010	0061010
53	Screw (Retainer)	-----	-----	-----	-----	17203012	-----	-----
54	Washer (Limiters)	0026014	-----	-----	0026014	0026014	0026014	-----
55	Retainer (Limiters)	-----	-----	-----	-----	-----	-----	-----
56	Governor Ass'y	-----	-----	-----	-----	-----	-----	-----
57	Washer (Governor)	-----	-----	-----	-----	-----	-----	-----
58	Boot	-----	-----	-----	-----	-----	-----	-----
59	O-Ring (Throttle Shaft)	-----	-----	-----	-----	-----	-----	-----
60	Lever, Choke	-----	-----	-----	-----	-----	-----	-----
61	Lever, Choke Control	-----	-----	-----	-----	-----	-----	-----
62	Spring, Choke Return	-----	-----	-----	-----	-----	-----	-----
63	Diaphragm, Start Pump	-----	-----	-----	-----	-----	-----	-----
64	Gasket, Start Pump	-----	-----	-----	-----	-----	-----	-----
65	E-Ring (Choke Shaft)	-----	-----	-----	-----	-----	-----	-----
66	SCREW	-----	-----	-----	-----	-----	-----	-----

PARTS LIST

C1U TYPE

REF	PART NAME	C1U K52	C1U K53	C1U K53A	C1U K53B	C1U K54	C1U K54A	C1U K55
	Venturi	8.5 mm	8.5 mm	8.5mm	8.5mm	8.5 mm	8.5 mm	8.5 mm
★	Rebuild Kit	RB-64	RB-64	RB-121	RB-121	RB-71	RB-71	RB-64
●	Gasket & Diaphragm Kit	★ GND-41	★ GND-41	★ GND-41	★ GND-41	★ GND-44	★ GND-44	★ GND-41
▲	Cover Kit, Pump	-----	-----	-----	-----	K017066	K017066	-----
■	Base Kit, Primer	K056035	K056035	K056039	K056039	-----	-----	K056035
‡	Plunger kit	K053054	-----	-----	-----	-----	K053054	K053054
1	Strainer	★ 0004004	★ 0004004	★ 0004004	★ 0004004	★ 0004004	★ 0004004	★ 0004004
2	Strainer	-----	-----	-----	-----	-----	-----	-----
3	Strainer	◆ 0004006	-----	-----	-----	-----	◆ 0004006	◆ 0004006
4	Plug, Welch	★ 0005004	★ 0005004	★ 0005004	★ 0005004	★ 0005004	★ 0005004	★ 0005004
5	Valve, Check	-----	-----	-----	-----	-----	-----	-----
6	Retainer, Check Valve	-----	-----	-----	-----	-----	-----	-----
7	Retainer, Syringe	0009015	0009015	0009015	0009015	0009027	0009065	0009015
8	Nozzle Ass'y, Check Valve	A007245	A007188	A007188	A007188	A007109	A007109	A007188
9	Shaft Ass'y, Throttle	A011112	A011100	A011154	A011154	A011112	A011192	A011112
10	Lever, Throttle	-----	-----	-----	-----	-----	-----	-----
11	Spring, Throttle Return	0013016	0013016	0013016	0013016	0013016	0013016	0013016
12	Valve, Throttle	0014053	0014053	0014053	0014053	0014053	0014053	0014056
13	Diaphragm Ass'y, Metering	●● A015018	●● A015018	●● A015018	●● A015018	●● A015019	●● A015019	●● A015018
14	Diaphragm, Pump	●● 0015051	●● 0015051	●● 0015051	●● 0015051	●● 0015051	●● 0015051	●● 0015051
15	Diaphragm, Surge	-----	-----	-----	-----	-----	-----	-----
16	Gasket, Metering Chamber	●● 0016018	●● 0016018	●● 0016018	●● 0016018	●● 0016035	●● 0016035	●● 0016018
17	Gasket, Pump	●● 0016046	●● 0016046	●● 0016046	●● 0016046	●● 0016046	●● 0016046	●● 0016046
18	Cover, Pump	-----	-----	-----	-----	▲ 0017046	▲ 0017046	-----
19	Valve, Inlet Needle	★ 0018002	★ 0018002	★ 0018002	★ 0018002	★ 0018002	★ 0018002	★ 0018002
20	Spring, Metering Lever	★ 0019007	★ 0019007	★ 0019009	★ 0019009	★ 0019007	★ 0019007	★ 0019007
21	Lever, Metering	★ 0020012	★ 0020012	★ 0020012	★ 0020012	★ 0020012	★ 0020012	★ 0020012
22	Pin	★ 0021001	★ 0021001	★ 0021001	★ 0021001	★ 0021001	★ 0021001	★ 0021001
23	Cover, Metering Chamber	0028022	0028022	-----	0028015	-----	-----	0028022
24	Spring, Adjust Screw	-----	-----	-----	-----	-----	-----	-----
25	Spring, Adjust Screw	■ 0029007	■ 0029007	-----	-----	▲ 0029007	▲ 0029007	■ 0029007
26	Screw, Main Mixture	0030117	0030142	0030142	0030217	0030117	0030117	0030117
27	Screw, Idle Mixture	0031111	0031136	0031136	0031219	0031111	0031111	0031112
28	Screw, Throttle Adjust	■ 0035062	■ 0035062	■ 0035007	■ 0035007	▲ 0035062	▲ 0035062	■ 0035062
29	Piece, Friction	-----	-----	■ 0036001	■ 0036001	-----	-----	-----
30	Spring, Friction	-----	-----	-----	-----	-----	-----	-----
31	Shaft Ass'y, Choke	-----	-----	-----	-----	-----	-----	-----
32	Valve, Choke	-----	-----	-----	-----	-----	-----	-----
33	Post	0045002	0045002	0045003	0045003	0045002	0045002	0045002
34	Collar	-----	-----	-----	-----	-----	-----	-----
35	Plunger	◆ 0053009	-----	-----	-----	K053011	◆ 0053009	◆ 0053009
36	Spring (Plunger Return)	◆ 0054055	-----	-----	-----	0054055	◆ 0054055	◆ 0054055
37	Spring (Syringe)	-----	-----	-----	-----	-----	-----	-----
38	Base Ass'y, Primer	■ A056062	■ A056062	■ A056089	■ A056089	A056012	A056087	■ A056062
39	Syringe	0057004	0057004	0057004	0057004	0057004	0057004	0057004
40	Screw (Pin)	14903006	14903006	14903006	14903006	14903006	14903006	14903006
41	Screw (Throttle Valve)	15603004	15603004	15603004	15603004	15603004	15603004	15603004
42	Screw (Choke Valve)	-----	-----	-----	-----	-----	-----	-----
43	Screw (Post)	-----	-----	-----	-----	-----	-----	-----
44	Screw (Metering Cover)	17203006	17203006	17103006	17103006	17203012	17203012	17203006
45	Screw (Pump Cover)	17104015	17104015	17104015	17104015	17104010	17104010	17104015
46	Screw (Throttle Lever)	-----	-----	-----	-----	-----	-----	-----
47	Ball, Steel	-----	-----	-----	-----	-----	-----	-----
48	E-Ring (Throttle Shaft)	19500030	19500030	19500030	19500030	19500030	19500030	19500030
49	E-Ring (Post)	19500040	19500040	-----	-----	19500040	19500040	19500040
50	O-Ring (Plunger)	◆ 195702308	-----	-----	-----	-----	◆ 195702308	◆ 195702308
51	Limiters, Mixture (H)	0061009	-----	-----	0061064	0061009	0061009	0061009
52	Limiters, Mixture (L)	0061010	-----	-----	0061010	0061010	0061010	0061010
53	Screw (Retainer)	-----	-----	-----	-----	17203012	17203012	-----
54	Washer (Limiters)	-----	-----	-----	-----	-----	-----	-----
55	Retainer (Limiters)	-----	-----	-----	-----	-----	-----	-----
56	Governor Ass'y	-----	-----	-----	-----	-----	-----	-----
57	Washer (Governor)	-----	-----	-----	-----	-----	-----	-----
58	Boot	-----	-----	-----	-----	-----	-----	-----
59	O-Ring (Throttle Shaft)	-----	-----	-----	-----	-----	-----	-----
60	Lever, Choke	-----	-----	-----	-----	-----	-----	-----
61	Lever, Choke Control	-----	-----	-----	-----	-----	-----	-----
62	Spring, Choke Return	-----	-----	-----	-----	-----	-----	-----
63	Diaphragm, Start Pump	-----	-----	-----	-----	-----	-----	-----
64	Gasket, Start Pump	-----	-----	-----	-----	-----	-----	-----
65	E-Ring (Choke Shaft)	-----	-----	-----	-----	-----	-----	-----
66	SCREW	-----	-----	-----	-----	-----	-----	-----

PARTS LIST

C1U TYPE

REF	PART NAME	C1U K58	C1U K59	C1U K62	C1U K68	C1U K78	C1U K81,A-B	C1U K82
	Venturi	8.5mm	8.5mm	8.5mm	8.5 mm	8.5 mm	8.5 mm	8.5 mm
★	Rebuild Kit	RB-64	RB-64	RB-64	RB-104	RB-125	RB-71	RB-71
●	Gasket & Diaphragm Kit	GND-41	GND-41	GND-41	GND-41	GND-68	GND-44	GND-44
▲	Cover Kit, Pump						K017066	K017066
■	Base Kit, Primer	K056035	K056035	K056028	K056028			
⊕	Plunger kit					K053054		
1	Strainer	★ 0004004	★ 0004004	★ 0004004	★ 0004004	★ 0004004	★ 0004004	★ 0004004
2	Strainer							
3	Strainer					◆ 0004006		
4	Plug, Welch	★ 0005006	★ 0005006	★ 0005006	★ 0005006	★ 0005004	★ 0005004	★ 0005004
5	Valve, Check							
6	Retainer, Check Valve							
7	Retainer, Syringe	0009015	0009015	0009015	0009015	0009015	0009065	0009065
8	Nozzle Ass'y, Check Valve	A007109	A007109	A007139	A007139	A007139	A007229	A007109
9	Shaft Ass'y, Throttle	A011154	A011154	A011163	A011163	A011210	A011213	A011192
10	Lever, Throttle			0012094	0012094	0012094	K012002	
11	Spring, Throttle Return	0013016	0013016	0013038	0013038	0013016	0013016	0013016
12	Valve, Throttle	0014053	0014053	0014053	0014053	0014053	0014053	0014053
13	Diaphragm Ass'y, Metering	●● A015018	●● A015018	●● A015018	●● A015018	●● A015047	●● A015019	●● A015019
14	Diaphragm, Pump	●● 0015051	●● 0015051	●● 0015051	●● 0015051	●● 0015051	●● 0015051	●● 0015051
15	Diaphragm, Surge							
16	Gasket, Metering Chamber	●● 0016018	●● 0016018	●● 0016018	●● 0016018	●● 0016076	●● 0016035	●● 0016035
17	Gasket, Pump	●● 0016046	●● 0016046	●● 0016046	●● 0016046	●● 0016046	●● 0016046	●● 0016046
18	Cover, Pump						▲ 0017046	▲ 0017046
19	Valve, Inlet Needle	★ 0018002	★ 0018002	★ 0018002	★ 0018002	★ 0018002	★ 0018002	★ 0018002
20	Spring, Metering Lever	★ 0019007	★ 0019007	★ 0019007	★ 0019002	★ 0019006	★ 0019007	★ 0019007
21	Lever, Metering	★ 0020012	★ 0020012	★ 0020012	★ 0020012	★ 0020012	★ 0020012	★ 0020012
22	Pin	★ 0021001	★ 0021001	★ 0021001	★ 0021001	★ 0021001	★ 0021001	★ 0021001
23	Cover, Metering Chamber	0028022	0028022	0028022	0028022	0028022		
24	Spring, Adjust Screw							
25	Spring, Adjust Screw	■ 0029007	■ 0029007				▲ 0029007	▲ 0029007
26	Screw, Main Mixture	0030168	0030171	0030168	0030168	0030168	0030117	0030117
27	Screw, Idle Mixture						0031111	0031111
28	Screw, Throttle Adjust	■ 0035062	■ 0035062	■ 0035023	■ 0035023	0035023	▲ 0035062	▲ 0035062
29	Piece, Friction			■ 0036001	■ 0036001	0036001	0036003	
30	Spring, Friction							
31	Shaft Ass'y, Choke							
32	Valve, Choke							
33	Post	0045002	0045002					0045002
34	Collar							
35	Plunger					◆ 0053009		
36	Spring (Plunger Return)					◆ 0054055		
37	Spring (Syringe)							
38	Base Ass'y, Primer	■ A056062	■ A056062	■ A056089	■ A056089	A056089	A056105	A056087
39	Syringe	0057004	0057004	0057004	0057004	0057004	0057004	0057004
40	Screw (Pin)	14903006	14903006	14903006	14903006	14903006	14903006	14903006
41	Screw (Throttle Valve)	15603004	15603004	15603004	15603004	15603004	15603004	15603004
42	Screw (Choke Valve)							
43	Screw (Post)							
44	Screw (Metering Cover)	17203006	17103006	17103006	17203006	17203006		
45	Screw (Pump Cover)	17104015	17104015	17104015	17104015		17104010	17104010
46	Screw (Throttle Lever)			17103004	17103004	17103004		
47	Ball, Steel							
48	E-Ring (Throttle Shaft)	19500030	19500030	19500040	19500040	19500040	19500040	19500030
49	E-Ring (Post)	19500040	19500040					19500040
50	O-Ring (Plunger)					◆ 195702308		
51	Limiters, Mixture (H)	0061007					0061009	0061009
52	Limiters, Mixture (L)						0061010	0061010
53	Screw (Retainer)					17104015	17203012	17203012
54	Washer (Limiters)							
55	Retainer (Limiters)							
56	Governor Ass'y							
57	Washer (Governor)							
58	Boot							
59	O-Ring (Throttle Shaft)							
60	Lever, Choke							
61	Lever, Choke Control							
62	Spring, Choke Return							
63	Diaphragm, Start Pump							
64	Gasket, Start Pump							
65	E-Ring (Choke Shaft)							
66	SCREW							

PARTS LIST

C1U TYPE

REF	PART NAME	C1U K83	C1U M16	C1U M20	C1U M21, A-B	C1U M21C	C1U M29, A-B	C1U M29C
	Venturi	9.5 mm	8 mm	8 mm	9 mm	9 mm	9 mm	9 mm
★	Rebuild Kit	RB-136	RB-28	RB-28	RB-20	RB-20	RB-48	RB-48
●	Gasket & Diaphragm Kit	★ GND-75	★ GND-18	★ GND-18	★ GND-12	★ GND-12	★ GND-18	GND-18
▲	Cover Kit, Pump	K017066	-----	KS017030	-----	-----	K017023	K017023
■	Base Kit, Primer	-----	K056039	-----	-----	-----	-----	-----
‡	Plunger kit	-----	-----	-----	-----	-----	-----	-----
1	Strainer	★ 0004004	★ 0004004	★ 0004004	★ 0004004	★ 0004004	★ 0004004	★ 0004004
2	Strainer	-----	-----	-----	-----	-----	-----	-----
3	Strainer	-----	-----	-----	-----	-----	-----	-----
4	Plug, Welch	★ 0005004	★ 0005005	★ 0005005	★ 0005005	★ 0005005	★ 0005005	★ 0005005
5	Valve, Check	-----	0008004	0008004	0008004	0008004	0008004	0008004
6	Retainer, Check Valve	-----	0009008	0009008	0009008	0009008	0009008	0009008
7	Retainer, Syringe	0009065	0009015	-----	0009027	0009027	-----	-----
8	Nozzle Ass'y, Check Valve	A007109	A007022	A007022	A007022	A007042	A007042	A007042
9	Shaft Ass'y, Throttle	A011154	A011039	A011039	A011044	A011044	A011091	A011091
10	Lever, Throttle	-----	-----	-----	-----	-----	0012017	0012017
11	Spring, Throttle Return	0013016	0013016	0013016	0013016	0013016	0013016	0013016
12	Valve, Throttle	0014053	0014007	0014007	0014035	0014035	0014020	0014020
13	Diaphragm Ass'y, Metering	●● A015051	●● A015010	●● A015010	●● A015011	●● A015011	●● A015010	●● A015010
14	Diaphragm, Pump	●● 0015051	●● 0015031V	●● 0015031V	●● 0015031V	●● 0015031V	●● 0015051	●● 0015051
15	Diaphragm, Surge	-----	-----	-----	-----	-----	-----	-----
16	Gasket, Metering Chamber	●● 0016035	●● 0016019	●● 0016019	●● 0016021	●● 0016021	●● 0016019	●● 0016019
17	Gasket, Pump	●● 0016046	●● 0016046	●● 0016046	●● 0016046	●● 0016046	●● 0016046	●● 0016046
18	Cover, Pump	▲ 0017046	-----	▲	0017016	0017016	▲ 0017018	▲ 0017018
19	Valve, Inlet Needle	★ 0018002	★ 0018002	★ 0018002	★ 0018002	★ 0018002	★ 0018002	★ 0018002
20	Spring, Metering Lever	★ 0019007	★ 0019002	★ 0019002	★ 0019002	★ 0019002	★ 0019014	★ 0019014
21	Lever, Metering	★ 0020012	★ 0020012	★ 0020012	★ 0020012	★ 0020012	★ 0020012	★ 0020012
22	Pin	★ 0021001	★ 0021001	★ 0021001	★ 0021001	★ 0021001	★ 0021001	★ 0021001
23	Cover, Metering Chamber	-----	0028022	0028022	-----	-----	0028015	0028022
24	Spring, Adjust Screw	-----	0029005	0029005	0029005	0029005	0029005	0029005
25	Spring, Adjust Screw	▲ 0029007	-----	-----	-----	-----	-----	-----
26	Screw, Main Mixture	0030117	0030024	0030024	0030046	0030082	0030023	0030082
27	Screw, Idle Mixture	0031111	0031028	0031028	0031033	0031087	0031023	0031080
28	Screw, Throttle Adjust	▲ 0035062	■ 0035007	▲	-----	-----	▲ 0035025	▲ 0035025
29	Piece, Friction	0036003	■ 0036001	▲	-----	-----	▲ 0036001	▲ 0036001
30	Spring, Friction	-----	-----	-----	-----	-----	0038001	0038001
31	Shaft Ass'y, Choke	-----	-----	-----	-----	-----	A041029	A041029
32	Valve, Choke	-----	-----	-----	-----	-----	0043008	0043008
33	Post	0045002	-----	-----	-----	-----	-----	-----
34	Collar	-----	-----	-----	-----	-----	0052001	0052001
35	Plunger	-----	-----	-----	-----	-----	-----	-----
36	Spring (Plunger Return)	-----	-----	-----	-----	-----	-----	-----
37	Spring (Syringe)	-----	-----	-----	-----	-----	-----	-----
38	Base Ass'y, Primer	A056112	■ A056089	-----	A056012	A056012	-----	-----
39	Syringe	0057004	0057003	-----	0057003	0057003	-----	-----
40	Screw (Pin)	14903006	14903006	14903006	14903006	14903006	14903006	14903006
41	Screw (Throttle Valve)	15603004	15603004	15603004	15603004	15603004	15603004	156030045
42	Screw (Choke Valve)	-----	-----	-----	-----	-----	156030045	156030045
43	Screw (Post)	-----	-----	-----	-----	-----	-----	-----
44	Screw (Metering Cover)	-----	17203006	17203006	17103008	17103008	17203006	17203006
45	Screw (Pump Cover)	17104010	17104015	17104009	17104009	17104009	17104009	17104009
46	Screw (Throttle Lever)	-----	-----	-----	-----	-----	17103004	17103004
47	Ball, Steel	-----	-----	-----	-----	-----	19290030	19290030
48	E-Ring (Throttle Shaft)	19500030	19500030	19500030	19500030	19500030	-----	-----
49	E-Ring (Post)	19500040	-----	-----	-----	-----	-----	-----
50	O-Ring (Plunger)	-----	-----	-----	-----	-----	-----	-----
51	Limiters, Mixture (H)	0061009	-----	-----	-----	0061009	-----	0061009
52	Limiters, Mixture (L)	0061010	-----	-----	-----	0061010	-----	0061010
53	Screw (Retainer)	172030135	-----	-----	17203012	17203012	-----	-----
54	Washer (Limiters)	-----	-----	-----	-----	0026014	-----	0026006
55	Retainer (Limiters)	0009030	-----	-----	-----	-----	-----	-----
56	Governor Ass'y	-----	-----	-----	-----	-----	-----	-----
57	Washer (Governor)	-----	-----	-----	-----	-----	-----	-----
58	Boot	-----	-----	-----	-----	-----	-----	-----
59	O-Ring (Throttle Shaft)	-----	-----	-----	-----	-----	-----	-----
60	Lever, Choke	-----	-----	-----	-----	-----	-----	-----
61	Lever, Choke Control	-----	-----	-----	-----	-----	-----	-----
62	Spring, Choke Return	-----	-----	-----	-----	-----	-----	-----
63	Diaphragm, Start Pump	-----	-----	-----	-----	-----	-----	-----
64	Gasket, Start Pump	-----	-----	-----	-----	-----	-----	-----
65	E-Ring (Choke Shaft)	-----	-----	-----	-----	-----	-----	-----
66	SCREW	-----	-----	-----	-----	-----	-----	-----

PARTS LIST

C1U TYPE

REF	PART NAME	C1U M29D	C1U M29E	C1U M32, A	C1U M32B,C	C1U M35A	C1U M37	C1U M37A
	Venturi	9 mm	9 mm	9 mm	9 mm	9 mm	9MM	9MM
★	Rebuild Kit	RB-48	RB-48	RB-28	RB-28	RB-29	RB-48	RB-48
●	Gasket & Diaphragm Kit	GND-18	★ GND-18	GND-18	GND-18	GND-12	★ GND-18	★ GND-18
▲	Cover Kit, Pump	K017037	K017037	KS017030	K017040	K017040	K017037	K017037
■	Base Kit, Primer							
⊕	Plunger kit							
1	Strainer	★ 0004004	★ 0004004	★ 0004004	★ 0004004	★ 0004004	★ 0004004	★ 0004004
2	Strainer							
3	Strainer							
4	Plug, Welch	★ 0005004	★ 0005004	★ 0005004	★ 0005004	★ 0005004	★ 0005004	★ 0005004
5	Valve, Check							
6	Retainer, Check Valve							
7	Retainer, Syringe							
8	Nozzle Ass'y, Check Valve	A007042	A007042	A007042	A007042	A007042	A007042	A007042
9	Shaft Ass'y, Throttle	A011091	A011091	A011048	A011048	A011109	A011091	A011091
10	Lever, Throttle	0012017	0012017			0012042	0012017	0012017
11	Spring, Throttle Return	0013016	0013016	0013016	0013016	0013016	0013016	0013016
12	Valve, Throttle	0014020	0014020	0014041	0014041	0014020	0014020	0014020
13	Diaphragm Ass'y, Metering	★ A015010	★ A015010	★ A015010	★ A015010	★ A015011	★ A015010	★ A015010
14	Diaphragm, Pump	★ 0015051	★ 0015051	★ 0015031V	★ 0015031V	★ 0015051	★ 0015051	★ 0015051
15	Diaphragm, Surge							
16	Gasket, Metering Chamber	★ 0016019	★ 0016019	★ 0016019	★ 0016019	★ 0016021	★ 0016019	★ 0016019
17	Gasket, Pump	★ 0016046	★ 0016046	★ 0016046	★ 0016046	★ 0016046	★ 0016046	★ 0016046
18	Cover, Pump	▲ 0017046	▲ 0017046	▲	▲ 0017046	▲ 0017046	▲ 0017046	▲ 0017046
19	Valve, Inlet Needle	★ 0018002	★ 0018002	★ 0018002	★ 0018002	★ 0018002	★ 0018002	★ 0018002
20	Spring, Metering Lever	★ 0019014	★ 0019014	★ 0019002	★ 0019002	★ 0019014	★ 0019014	★ 0019014
21	Lever, Metering	★ 0020012	★ 0020012	★ 0020012	★ 0020012	★ 0020012	★ 0020012	★ 0020012
22	Pin	★ 0021001	★ 0021001	★ 0021001	★ 0021001	★ 0021001	★ 0021001	★ 0021001
23	Cover, Metering Chamber	0028022	0028022	0028022	0028022		0028022	0028022
24	Spring, Adjust Screw	0029001		0029005	0029001	0029001	0029001	0029001
25	Spring, Adjust Screw							
26	Screw, Main Mixture	0030158	0030158	0030099	0030111	0030106	0030107	0030158
27	Screw, Idle Mixture	0031156	0031156	0031096	0031106	0031090	0031090	0031156
28	Screw, Throttle Adjust	▲ 0035033	▲ 0035033	▲	▲ 0035035	▲ 0035035	▲ 0035033	▲ 0035033
29	Piece, Friction	▲ 0036001	▲ 0036001	▲	▲ 0036001	▲ 0036001	▲ 0036001	▲ 0036001
30	Spring, Friction	0038001	0038001	0038001	0038001	0038001	0038001	0038001
31	Shaft Ass'y, Choke	A041029	A041029	A041039	A041039	A041039	A041029	A041029
32	Valve, Choke	0043008	0043008	0043015	0043015	0043024	0043008	0043008
33	Post							
34	Collar	0052001	0052001			0052001	0052001	0052001
35	Plunger							
36	Spring (Plunger Return)							
37	Spring (Syringe)							
38	Base Ass'y, Primer					A056028		
39	Syringe					0057003		
40	Screw (Pin)	14903006	14903006	14903006	14903006	14903006	14903006	14903006
41	Screw (Throttle Valve)	156030045	156030045	156030045	156030045	156030045	156030045	156030045
42	Screw (Choke Valve)	156030045	156030045	156030045	156030045		156030045	156030045
43	Screw (Post)							
44	Screw (Metering Cover)	17203006	17203006	17203006	17203006	17103008	17203006	17203006
45	Screw (Pump Cover)	17104009	17104009	17104009	17104009	17104010	17104009	17104009
46	Screw (Throttle Lever)	17103004	17103004			17103004	17103004	17103004
47	Ball, Steel	19290030	19290030	19290030	19290030	19290030	19290030	19290030
48	E-Ring (Throttle Shaft)			19500030	19500030			
49	E-Ring (Post)							
50	O-Ring (Plunger)							
51	Limiter, Mixture (H)	0061025	0061025	0061009	0061025	0061025	0061025	0061025
52	Limiter, Mixture (L)	0061026	0061026	0061010	0061026	0061026	0061026	0061026
53	Screw (Retainer)					17203012		
54	Washer (Limiter)	0026014	0026014	0026006	0026014	0026014	0026014	0026014
55	Retainer (Limiter)	0009028	0009028		0009028	0009028	0009028	
56	Governor Ass'y			A059008	A059004		A059034	A059034
57	Washer (Governor)			0026011	0026011		0026011	0026011
58	Boot		0051027					
59	O-Ring (Throttle Shaft)							
60	Lever, Choke							
61	Lever, Choke Control							
62	Spring, Choke Return							
63	Diaphragm, Start Pump							
64	Gasket, Start Pump							
65	E-Ring (Choke Shaft)							
66	SCREW							

PARTS LIST

C1U TYPE

REF	PART NAME	C1U M38	C1U M40	C1U M42	C1U P5	C1U P6,A	C1U P7	C1U P10,A
	Venturi	9 mm	9 mm	9 mm	8 mm	8 mm	8 mm	8 mm
★	Rebuild Kit	RB-28	RB-28	RB-28	RB-29	RB-29	RB-29	RB-29
●	Gasket & Diaphragm Kit	★ GND-18	★ GND-18	★ GND-18	★ GND-18	★ GND-18	★ GND-18	★ GND-18
▲	Cover Kit, Pump							K017034
■	Base Kit, Primer	K056030	K056030					
‡	Plunger kit							
1	Strainer	★ 0004004	★ 0004004	★ 0004004	★ 0004004	★ 0004004	★ 0004004	★ 0004004
2	Strainer							
3	Strainer							
4	Plug, Welch	★ 0005004	★ 0005004	★ 0005004	★ 0005005	★ 0005004	★ 0005004	★ 0005004
5	Valve, Check				0008004			
6	Retainer, Check Valve				0009008			
7	Retainer, Syringe	0009015	0009015					
8	Nozzle Ass'y, Check Valve	A007135	A007207	A007196	A007040	A007063	A007063	A007063
9	Shaft Ass'y, Throttle	A011156	A011156	A011164	A011038	A011038	A011038	A011099
10	Lever, Throttle							
11	Spring, Throttle Return	0013016	0013016	0013016	0013016	0013016	0013016	0013016
12	Valve, Throttle	0004041	0014041	0014041	0014020	0014037	0014037	0014037
13	Diaphragm Ass'y, Metering	●● A015010	●● A015010	●● A015010	●● A015010	●● A015010	●● A015010	●● A015010
14	Diaphragm, Pump	●● 0015051	●● 0015051	●● 0015051	●● 0015051	●● 0015051	●● 0015051	●● 0015051
15	Diaphragm, Surge							
16	Gasket, Metering Chamber	●● 0016019	●● 0016019	●● 0016019	●● 0016019	●● 0016019	●● 0016019	●● 0016019
17	Gasket, Pump	●● 0016046	●● 0016046	●● 0016046	●● 0016046	●● 0016046	●● 0016046	●● 0016046
18	Cover, Pump			0017046	0017045	0017045	0017045	▲ 0017044
19	Valve, Inlet Needle	★ 0018002	★ 0018002	★ 0018002	★ 0018002	★ 0018002	★ 0018002	★ 0018002
20	Spring, Metering Lever	★ 0019002	★ 0019002	★ 0019002	★ 0019014	★ 0019014	★ 0019014	★ 0019014
21	Lever, Metering	★ 0020012	★ 0020012	★ 0020012	★ 0020012	★ 0020012	★ 0020012	★ 0020012
22	Pin	★ 0021001	★ 0021001	★ 0021001	★ 0021001	★ 0021001	★ 0021001	★ 0021001
23	Cover, Metering Chamber	0028022	0028022	0028022	0028022	0028022	0028022	0028022
24	Spring, Adjust Screw				0029005	0029005	0029005	0029005
25	Spring, Adjust Screw				0029003	0029003	0029003	
26	Screw, Main Mixture	0030152	0030219	0030209	0030028	0030074	0030066	0030145
27	Screw, Idle Mixture	0031146	0031221	0031213	0031044	0031073	0031072	0031079
28	Screw, Throttle Adjust	■ 0035035	■ 0035035		0035015	0035015	0035015	▲ 0035033
29	Piece, Friction	■ 0036001	■ 0036001					▲ 0036001
30	Spring, Friction			0038001				
31	Shaft Ass'y, Choke			A041039				
32	Valve, Choke			0043015				
33	Post	0045002			0045010	0045010	0045010	0045010
34	Collar							
35	Plunger							
36	Spring (Plunger Return)							
37	Spring (Syringe)							
38	Base Ass'y, Primer	■ A056089	■ A056089					
39	Syringe	0057004	0057004					
40	Screw (Pin)	14903006	14903006	14903006	14903006	14903006	14903006	14903006
41	Screw (Throttle Valve)	156030045	156030045	156030045	156030045	156030045	156030045	156030045
42	Screw (Choke Valve)			156030045				
43	Screw (Post)							
44	Screw (Metering Cover)	17203006	17203006	17203006	17203006	17203006	17203006	17203006
45	Screw (Pump Cover)	17104015	17104015	17104009	17104010	17104010	17104009	17104010
46	Screw (Throttle Lever)							
47	Ball, Steel			19290030				
48	E-Ring (Throttle Shaft)	19500030	19500030	19500030	19500030	19500030	19500030	19500030
49	E-Ring (Post)	19500040			19500020	19500020	19500020	19500020
50	O-Ring (Plunger)							
51	Limiter, Mixture (H)	0061027						0061009
52	Limiter, Mixture (L)	0061028						0061017
53	Screw (Retainer)							
54	Washer (Limiter)	0026014						0026014
55	Retainer (Limiter)	0009031						
56	Governor Ass'y						A059004	
57	Washer (Governor)						0026011	
58	Boot	0051027						
59	O-Ring (Throttle Shaft)							
60	Lever, Choke							
61	Lever, Choke Control							
62	Spring, Choke Return							
63	Diaphragm, Start Pump							
64	Gasket, Start Pump							
65	E-Ring (Choke Shaft)							
66	SCREW							

PARTS LIST

C1U TYPE

REF	PART NAME	C1U P11	C1U P11A, B	C1U P12, A	C1U P14, A	C1U P17	C1U P21	C1U P21A
	Venturi	8 mm	8 mm	8 mm	8 mm	8 mm	8 mm	8 mm
★	Rebuild Kit	RB-29	RB-29	RB-29	RB-29	RB-98	RB-98	RB-98
●	Gasket & Diaphragm Kit	★ GND-18	★ GND-18	★ GND-18	★ GND-18	★ GND-18	★ GND-18	★ GND-18
▲	Cover Kit, Pump		K017034	K017067	K017067	K017072	K017072	K017072
■	Base Kit, Primer	-----	-----	-----	-----	-----	-----	-----
⊕	Plunger kit	-----	-----	-----	-----	-----	-----	-----
1	Strainer	★ 0004004	★ 0004004	★ 0004004	★ 0004004	★ 0004004	★ 0004004	★ 0004004
2	Strainer	-----	-----	-----	-----	-----	-----	-----
3	Strainer	-----	-----	-----	-----	-----	-----	-----
4	Plug, Welch	★ 0005004	★ 0005004	★ 0005004	★ 0005004	★ 0005004	★ 0005004	★ 0005004
5	Valve, Check	-----	-----	-----	-----	-----	-----	-----
6	Retainer, Check Valve	-----	-----	-----	-----	-----	-----	-----
7	Retainer, Syringe	-----	-----	-----	-----	-----	-----	-----
8	Nozzle Ass'y, Check Valve	A007063	A007063	A007063	A007063	A007169	A007169	A007169
9	Shaft Ass'y, Throttle	A011038	A011099	A011099	A011099	A011179	A011179	A011179
10	Lever, Throttle	-----	-----	-----	-----	-----	-----	-----
11	Spring, Throttle Return	0013016	0013016	0013015	0013015	0013015	0013015	0013015
12	Valve, Throttle	0014037	0014037	0014037	0014037	0014080	0014108	0014108
13	Diaphragm Ass'y, Metering	●● A015010	●● A015010	●● A015010	●● A015010	●● A015010	●● A015010	●● A015010
14	Diaphragm, Pump	●● 0015051	●● 0015051	●● 0015081	●● 0015081	●● 0015081	●● 0015081	●● 0015081
15	Diaphragm, Surge	-----	-----	-----	-----	-----	-----	-----
16	Gasket, Metering Chamber	●● 0016019	●● 0016019	●● 0016019	●● 0016019	●● 0016019	●● 0016019	●● 0016019
17	Gasket, Pump	●● 0016046	●● 0016046	●● 0016073	●● 0016073	●● 0016073	●● 0016073	●● 0016073
18	Cover, Pump	0017045	▲ 0017044	▲ 0017077	▲ 0017077	▲ 0017077	▲ 0017077	▲ 0017077
19	Valve, Inlet Needle	★ 0018002	★ 0018002	★ 0018002	★ 0018002	★ 0018002	★ 0018002	★ 0018002
20	Spring, Metering Lever	★ 0019014	★ 0019014	★ 0019014	★ 0019014	★ 0019005	★ 0019005	★ 0019005
21	Lever, Metering	★ 0020012	★ 0020012	★ 0020012	★ 0020012	★ 0020012	★ 0020012	★ 0020012
22	Pin	★ 0021001	★ 0021001	★ 0021001	★ 0021001	★ 0021001	★ 0021001	★ 0021001
23	Cover, Metering Chamber	0028022	0028022	0028022	0028022	0028022	0028022	0028022
24	Spring, Adjust Screw	0029005	0029005	0029005	-----	-----	-----	-----
25	Spring, Adjust Screw	0029003	-----	▲ 0029003	▲ 0029003	▲ 0029034	▲ 0029034	▲ 0029034
26	Screw, Main Mixture	0030080	0030145	0030156	0030166	0030190	0030202	0030236
27	Screw, Idle Mixture	0031079	0031079	0031155	0031165	0031165	0031154	0031237
28	Screw, Throttle Adjust	0035015	▲ 0035033	▲ 0035070	▲ 0035070	▲ 0035073	▲ 0035073	▲ 0035073
29	Piece, Friction	-----	▲ 0036001	-----	-----	-----	-----	-----
30	Spring, Friction	-----	-----	-----	-----	-----	-----	-----
31	Shaft Ass'y, Choke	-----	-----	-----	-----	-----	-----	-----
32	Valve, Choke	-----	-----	-----	-----	-----	-----	-----
33	Post	0045010	0045010	-----	-----	-----	-----	-----
34	Collar	-----	-----	-----	-----	-----	-----	-----
35	Plunger	-----	-----	-----	-----	-----	-----	-----
36	Spring (Plunger Return)	-----	-----	-----	-----	-----	-----	-----
37	Spring (Syringe)	-----	-----	-----	-----	-----	-----	-----
38	Base Ass'y, Primer	-----	-----	-----	-----	-----	-----	-----
39	Syringe	-----	-----	-----	-----	-----	-----	-----
40	Screw (Pin)	14903006	14903006	14903006	14903006	14903006	14903006	14903006
41	Screw (Throttle Valve)	156030045	156030045	156030045	156030045	156030045	156030045	156030045
42	Screw (Choke Valve)	-----	-----	-----	-----	-----	-----	-----
43	Screw (Post)	-----	-----	-----	-----	-----	-----	-----
44	Screw (Metering Cover)	17203006	17203006	17203006	17203006	17203006	17203006	17203006
45	Screw (Pump Cover)	17104010	17104010	17104010	17104010	17104010	17104010	17104010
46	Screw (Throttle Lever)	-----	-----	-----	-----	-----	-----	-----
47	Ball, Steel	-----	-----	-----	-----	-----	-----	-----
48	E-Ring (Throttle Shaft)	19500030	19500030	19500030	19500030	19500030	19500030	19500030
49	E-Ring (Post)	19500020	19500020	-----	-----	-----	-----	-----
50	O-Ring (Plunger)	-----	-----	-----	-----	-----	-----	-----
51	Limiter, Mixture (H)	0061009	0061009	0061025	0061025	0061056	0061056	-----
52	Limiter, Mixture (L)	0061017	0061017	0061026	0061026	0061026	0061026	-----
53	Screw (Retainer)	-----	-----	-----	-----	-----	-----	-----
54	Washer (Limiter)	0026006	0026014	0026014	0026014	0026014	0026014	-----
55	Retainer (Limiter)	-----	-----	0009028	0009028	0009028	0009028	-----
56	Governor Ass'y	A059004	A059033	-----	-----	-----	-----	-----
57	Washer (Governor)	0026011	0026011	-----	-----	-----	-----	-----
58	Boot	-----	-----	-----	0051027	0051027	0051027	-----
59	O-Ring (Throttle Shaft)	-----	-----	-----	-----	-----	-----	-----
60	Lever, Choke	-----	-----	-----	-----	-----	-----	-----
61	Lever, Choke Control	-----	-----	-----	-----	-----	-----	-----
62	Spring, Choke Return	-----	-----	-----	-----	-----	-----	-----
63	Diaphragm, Start Pump	-----	-----	-----	-----	-----	-----	-----
64	Gasket, Start Pump	-----	-----	-----	-----	-----	-----	-----
65	E-Ring (Choke Shaft)	-----	-----	-----	-----	-----	-----	-----
66	SCREW	-----	-----	-----	-----	-----	-----	-----

PARTS LIST

C1U TYPE

REF	PART NAME	C1U P21B	C1U P23	C1U SK11	C1U SK12	C1U SK13	C1U SK13A	C1U SK14
	Venturi	8 mm	8 mm	7 mm	7 mm	7 mm	7 mm	8 mm
★	Rebuild Kit	RB-98	RB-98	RB-26	RB-26	RB-26	RB-26	RB-26
●	Gasket & Diaphragm Kit	GND-18	GND-18	GND-17	GND-17	GND-17	GND-17	GND-17
▲	Cover Kit, Pump	K017072	K017072					
■	Base Kit, Primer			K056039	K056039	K056031	K056031	K056039
⊕	Plunger kit							
1	Strainer	★ 0004004	★ 0004004	★ 0004004	★ 0004004	★ 0004004	★ 0004004	★ 0004004
2	Strainer							0004005
3	Strainer							0004006
4	Plug, Welch	★ 0005004	★ 0005004	★ 0005004	★ 0005004	★ 0005004	★ 0005004	★ 0005004
5	Valve, Check							
6	Retainer, Check Valve							
7	Retainer, Syringe			0009015	0009015	0009015	0009015	0009015
8	Nozzle Ass'y, Check Valve	A007169		A007070	A007070	A007070	A007070	A007070
9	Shaft Ass'y, Throttle	A011179	A011179	A011138	A011138	A011141	A011141	A011138
10	Lever, Throttle					0012139	0012139	
11	Spring, Throttle Return	0013015	0013015	0013016	0013016	0013016	0013016	0013016
12	Valve, Throttle	0014108	0014033	0014031	0014031	0014031	0014031	0014031
13	Diaphragm Ass'y, Metering	●● A015010	●● A015010	●● A015010	●● A015010	●● A015010	●● A015010	●● A015010
14	Diaphragm, Pump	●● 0015081	●● 0015081	●● 0015051	●● 0015051	●● 0015051	●● 0015051	●● 0015051
15	Diaphragm, Surge							
16	Gasket, Metering Chamber	●● 0016019	●● 0016019	●● 0016018	●● 0016018	●● 0016018	●● 0016018	●● 0016018
17	Gasket, Pump	●● 0016073	●● 0016073	●● 0016046	●● 0016046	●● 0016046	●● 0016046	●● 0016046
18	Cover, Pump	▲ 0017077	▲ 0017077					
19	Valve, Inlet Needle	★ 0018002	★ 0018002	★ 0018002	★ 0018002	★ 0018002	★ 0018002	★ 0018002
20	Spring, Metering Lever	★ 0019005	★ 0019005	★ 0019009	★ 0019009	★ 0019009	★ 0019009	★ 0019009
21	Lever, Metering	★ 0020012	★ 0020012	★ 0020012	★ 0020012	★ 0020012	★ 0020012	★ 0020012
22	Pin	0021001	★ 0021001	★ 0021001	★ 0021001	★ 0021001	★ 0021001	★ 0021001
23	Cover, Metering Chamber	0028022	0028022	0028015	0028015	0028022	0028015	0028015
24	Spring, Adjust Screw			0029005	0029005			
25	Spring, Adjust Screw	▲ 0029034	▲ 0029034					
26	Screw, Main Mixture	0030241		0030081	0030081	0030117	0030117	0030160
27	Screw, Idle Mixture	0031241	0031206	0031095	0031095	0031112	0031112	0031158
28	Screw, Throttle Adjust	▲ 0035073	▲ 0035073	■ 0035007	■ 0035007	■	■	■ 0035007
29	Piece, Friction			■ 0036001	■ 0036001	■	■	■ 0036001
30	Spring, Friction							
31	Shaft Ass'y, Choke							
32	Valve, Choke							
33	Post							
34	Collar							
35	Plunger						0053009	
36	Spring (Plunger Return)						0054055	
37	Spring (Syringe)							
38	Base Ass'y, Primer			■ A056089	■ A056089	■	■	■ A056089
39	Syringe			0057004	0057004	0057004	0057004	0057004
40	Screw (Pin)	14903006	14903006	14903006	14903006	14903006	14903006	14903006
41	Screw (Throttle Valve)	156030045	156030045	15603004	15603004	15603004	15603004	15603004
42	Screw (Choke Valve)							
43	Screw (Post)							
44	Screw (Metering Cover)	17203006	17203006	17203006	17203006	17203006	17203006	17203006
45	Screw (Pump Cover)	17104010	17104010	17104015	17104015	17104015	17104015	17104015
46	Screw (Throttle Lever)					17103004	17103004	
47	Ball, Steel							
48	E-Ring (Throttle Shaft)	19500030	19500030	19500030	19500030	19500030	19500030	19500030
49	E-Ring (Post)							
50	O-Ring (Plunger)						195702308	
51	Limit, Mixture (H)		0061056	0061009	0061009	0061009	0061009	0061009
52	Limit, Mixture (L)			0061010	0061010	0061010	0061010	0061010
53	Screw (Retainer)							
54	Washer (Limit)			0026014	0026014	0026001	0026001	
55	Retainer (Limit)		0009028					
56	Governor Ass'y			A059005	A059005			A059035
57	Washer (Governor)			0026011	0026011			0026011
58	Boot							
59	O-Ring (Throttle Shaft)							
60	Lever, Choke							
61	Lever, Choke Control							
62	Spring, Choke Return							
63	Diaphragm, Start Pump							
64	Gasket, Start Pump							
65	E-Ring (Choke Shaft)							
66	SCREW							

PARTS LIST

C1U TYPE

REF	PART NAME	C1U SK17	C1U W4A-E	C1U W7A-B	C1U W7C-D	C1U W10	C1U W10B-C	C1U W12A
	Venturi	8.5 mm	7 mm	7.5 mm	7.5 mm	7mm	7mm	7mm
★	Rebuild Kit	RB-64	RB-73	RB-78	RB-73	RB-47	RB-47	RB-47
●	Gasket & Diaphragm Kit	★ GND-41	★ GND-12	★ GND-17	★ GND-18	★ GND-18	★ GND-18	★ GND-18
▲	Cover Kit, Pump		K017040					
■	Base Kit, Primer	K056038		K056032	K056032	K056032	K056032	
⊕	Plunger kit							
1	Strainer	★ 0004004	★ 0004032	★ 0004032	★ 0004032	★ 0004032	★ 0004032	★ 0004032
2	Strainer							
3	Strainer							
4	Plug, Welch	★ 0005004	★ 0005004	★ 0005005	★ 0005005	★ 0005004	★ 0005004	★ 0005004
5	Valve, Check							
6	Retainer, Check Valve							
7	Retainer, Syringe	0009015	0009065	0009015	0009015	0009015	0009015	0009015
8	Nozzle Ass'y, Check Valve	A007070	A007022			A007063	A007198	A007198
9	Shaft Ass'y, Throttle	A011154	A011106	A011106	A011106	A011172	A011172	0011122
10	Lever, Throttle							0012162
11	Spring, Throttle Return	0013016	0013016	0013038	0013016	0013038	0013016	0013074
12	Valve, Throttle	0014053	0014041	0014053	0014053	0014041	0014041	0014041
13	Diaphragm Ass'y, Metering	●● A015018	●● A015011	●● A015010	●● A015010	●● A015010	●● A015010	●● A015010
14	Diaphragm, Pump	●● 0015051	●● 0015051	●● 0015051	●● 0015051	●● 0015051	●● 0015051	●● 0015051
15	Diaphragm, Surge							
16	Gasket, Metering Chamber	●● 0016018	●● 0016021	●● 0016018	●● 0016019	●● 0016019	●● 0016019	●● 0016019
17	Gasket, Pump	●● 0016046	●● 0016046	●● 0016046	●● 0016046	●● 0016046	●● 0016046	●● 0016046
18	Cover, Pump		▲ 0017046					
19	Valve, Inlet Needle	★ 0018002	★ 0018002	★ 0018002	★ 0018002	★ 0018002	★ 0018002	★ 0018002
20	Spring, Metering Lever	★ 0019007	★ 0019014	★ 0019014	★ 0019014	★ 0019002	★ 0019002	★ 0019002
21	Lever, Metering	★ 0020012	★ 0020012	★ 0020012	★ 0020012	★ 0020012	★ 0020012	★ 0020012
22	Pin	★ 0021001	★ 0021001	★ 0021001	★ 0021001	★ 0021001	★ 0021001	★ 0021001
23	Cover, Metering Chamber	0028015		0028022	0028022	0028022	0028022	0028022
24	Spring, Adjust Screw							
25	Spring, Adjust Screw	■ 0029007						
26	Screw, Main Mixture	0030160	0030161			0030161	0030210	0030194
27	Screw, Idle Mixture	0031110	0031159	0031160	0031200	0031159	0031213	0031192
28	Screw, Throttle Adjust	■ 0035062	▲ 0035035	■ 0035035	■ 0035035	■ 0035035	■ 0035035	-----
29	Piece, Friction		▲ 0036001	■ 0036001	■ 0036001	■ 0036001	■ 0036001	
30	Spring, Friction		0038001					0038001
31	Shaft Ass'y, Choke		A041015					0041098
32	Valve, Choke		0043015					0043024
33	Post	0045002						
34	Collar							
35	Plunger							
36	Spring (Plunger Return)							
37	Spring (Syringe)							
38	Base Ass'y, Primer	■ A056084	A056079	■ A056054	■ A056054	■ A056054	■ A056054	A056076
39	Syringe	0057004	★ 0057025	0057025	★ 0057025	★ 0057025	★ 0057025	★ 0057025
40	Screw (Pin)	14903006	14903006	14903006	14903006	14903006	14903006	14903006
41	Screw (Throttle Valve)	15603004	156030045	15603004	15603004	156030045	156030045	156030045
42	Screw (Choke Valve)		156030045					
43	Screw (Post)							
44	Screw (Metering Cover)	17203006		17203006	17203006	17203006	17203006	17203006
45	Screw (Pump Cover)	17104015	17104010	17104015	17104015			
46	Screw (Throttle Lever)							
47	Ball, Steel		19290030					19290030
48	E-Ring (Throttle Shaft)	19500030	19500030	19500030	19500030	19500030	19500030	19500030
49	E-Ring (Post)							
50	O-Ring (Plunger)							
51	Limiter, Mixture (H)							
52	Limiter, Mixture (L)							
53	Screw (Retainer)		17203012			17104015	17104015	17104015
54	Washer (Limiter)							
55	Retainer (Limiter)							
56	Governor Ass'y							
57	Washer (Governor)							
58	Boot							
59	O-Ring (Throttle Shaft)							19550515
60	Lever, Choke							
61	Lever, Choke Control							
62	Spring, Choke Return							
63	Diaphragm, Start Pump							
64	Gasket, Start Pump							
65	E-Ring (Choke Shaft)							
66	SCREW							

PARTS LIST

C1U TYPE

REF	PART NAME	C1U W12B	C1U W13.A	C1U W13B	C1U W16	C1U W16B-C	C1U W18.A	C1U W19
	Venturi	7mm	7mm	7mm	9.5 mm	9.5 mm	8mm	8mm
★	Rebuild Kit	RB-47	RB-47	RB-47	RB-47	RB-47	RB-115	RB-117
●	Gasket & Diaphragm Kit	★ GND-18	★ GND-18	★ GND-18	★ GND-18	★ GND-18	★ GND-12	★ GND-64
▲	Cover Kit, Pump	-----	-----	-----	-----	-----	-----	K049004
■	Base Kit, Primer	-----	K056037	K056037	K056032	K056032	K056037	-----
⊕	Plunger kit	-----	-----	-----	-----	-----	-----	-----
1	Strainer	★ 0004032	★ 0004032	★ 0004032	★ 0004032	★ 0004032	★ 0004032	★ 0004032
2	Strainer	-----	-----	-----	-----	-----	-----	-----
3	Strainer	-----	-----	-----	-----	-----	-----	-----
4	Plug, Welch	★ 0005004	★ 0005004	★ 0005004	★ 0005004	★ 0005004	★ 0005004	★ 0005004
5	Valve, Check	-----	-----	-----	-----	-----	-----	-----
6	Retainer, Check Valve	-----	-----	-----	-----	-----	-----	-----
7	Retainer, Syringe	0009015	0009015	0009015	0009015	0009015	0009015	0009015
8	Nozzle Ass'y, Check Valve	A007198	A007198	A007198	A007179	A007179	A007169	A007169
9	Shaft Ass'y, Throttle	0011122	A011106	A011106	A011106	A011106	A011172	A011231
10	Lever, Throttle	0012162	-----	-----	-----	-----	-----	0012181
11	Spring, Throttle Return	0013074	0013016	0013016	0013038	0013016	0013016	0013016
12	Valve, Throttle	0014041	0014041	0014041	0014103	0014103	0014103	0014103
13	Diaphragm Ass'y, Metering	●● A015010	●● A015010	●● A015010	●● A015010	●● A015010	●● A015011	●● A015011
14	Diaphragm, Pump	●● 0015051	●● 0015051	●● 0015051	●● 0015051	●● 0015051	●● 0015051	●● 0015059
15	Diaphragm, Surge	-----	-----	-----	-----	-----	-----	-----
16	Gasket, Metering Chamber	●● 0016019	●● 0016019	●● 0016019	●● 0016019	●● 0016019	●● 0016021	●● 0016021
17	Gasket, Pump	●● 0016046	●● 0016046	●● 0016046	●● 0016046	●● 0016046	●● 0016046	●● 0016049
18	Cover, Pump	-----	-----	-----	-----	-----	-----	▲ A049026
19	Valve, Inlet Needle	★ 0018002	★ 0018002	★ 0018002	★ 0018002	★ 0018002	★ 0018002	★ 0018002
20	Spring, Metering Lever	★ 0019002	★ 0019002	★ 0019002	★ 0019002	★ 0019002	★ 0019002	★ 0019002
21	Lever, Metering	★ 0020012	★ 0020012	★ 0020012	★ 0020012	★ 0020012	★ 0020012	★ 0020012
22	Pin	★ 0021001	★ 0021001	★ 0021001	★ 0021001	★ 0021001	★ 0021001	★ 0021001
23	Cover, Metering Chamber	0028022	0028022	0028022	0028022	0028022	0028040	0028042
24	Spring, Adjust Screw	-----	-----	-----	-----	-----	-----	-----
25	Spring, Adjust Screw	-----	-----	-----	-----	-----	-----	-----
26	Screw, Main Mixture	0030210	0030194	0030210	0030187	0030209	0030194	0030210
27	Screw, Idle Mixture	0031213	0031192	0031213	0031159	0031213	0031192	0031213
28	Screw, Throttle Adjust	-----	■	■	■ 0035035	■ 0035035	■	▲ 0035033
29	Piece, Friction	-----	■	■	■ 0036001	■ 0036001	■	▲ 0036001
30	Spring, Friction	0038001	0038001	0038001	-----	-----	0038001	-----
31	Shaft Ass'y, Choke	0041098	0041102	0041102	-----	-----	0041113	A041094
32	Valve, Choke	0043024	0043024	0043024	-----	-----	0043055	-----
33	Post	-----	-----	-----	-----	-----	-----	-----
34	Collar	-----	-----	-----	-----	-----	-----	0052006
35	Plunger	-----	-----	-----	-----	-----	-----	-----
36	Spring (Plunger Return)	-----	-----	-----	-----	-----	-----	-----
37	Spring (Syringe)	-----	-----	-----	-----	-----	-----	-----
38	Base Ass'y, Primer	A056076	■	■	■ A056054	■ A056054	■	A056058
39	Syringe	★ 0057025	★ 0057025	★ 0057025	★ 0057025	★ 0057025	★ 0057025	★ 0057025
40	Screw (Pin)	14903006	14903006	14903006	14903006	14903006	14903006	14903006
41	Screw (Throttle Valve)	156030045	156030045	156030045	156030045	156030045	156030045	156030045
42	Screw (Choke Valve)	-----	-----	-----	-----	-----	-----	-----
43	Screw (Post)	-----	-----	-----	-----	-----	-----	-----
44	Screw (Metering Cover)	17203006	17203006	17203006	17203006	17203006	17203006	17203006
45	Screw (Pump Cover)	-----	-----	-----	17104015	17104015	-----	17104023
46	Screw (Throttle Lever)	-----	-----	-----	-----	-----	-----	17103004
47	Ball, Steel	19290030	19290030	19290030	-----	-----	19290030	-----
48	E-Ring (Throttle Shaft)	19500030	19500030	19500030	19500030	19500030	19500030	-----
49	E-Ring (Post)	-----	-----	-----	-----	-----	-----	-----
50	O-Ring (Plunger)	-----	-----	-----	-----	-----	-----	-----
51	Limiter, Mixture (H)	-----	-----	-----	-----	-----	-----	-----
52	Limiter, Mixture (L)	-----	-----	-----	-----	-----	-----	-----
53	Screw (Retainer)	17104015	17104015	17104015	-----	-----	17104015	-----
54	Washer (Limiter)	-----	-----	-----	-----	-----	-----	-----
55	Retainer (Limiter)	-----	-----	-----	-----	-----	-----	-----
56	Governor Ass'y	-----	-----	-----	-----	-----	-----	-----
57	Washer (Governor)	-----	-----	-----	-----	-----	-----	-----
58	Boot	-----	-----	-----	-----	-----	-----	-----
59	O-Ring (Throttle Shaft)	195505015	-----	-----	-----	-----	-----	-----
60	Lever, Choke	-----	-----	-----	-----	-----	-----	0042134
61	Lever, Choke Control	-----	-----	-----	-----	-----	-----	-----
62	Spring, Choke Return	-----	-----	-----	-----	-----	-----	0013085
63	Diaphragm, Start Pump	-----	-----	-----	-----	-----	-----	●● 0015060
64	Gasket, Start Pump	-----	-----	-----	-----	-----	-----	●● 0016050
65	E-Ring (Choke Shaft)	-----	-----	-----	-----	-----	-----	19500040
66	SCREW	-----	-----	-----	-----	-----	-----	-----

PARTS LIST

C1U TYPE

REF	PART NAME	C1U W22	C1U W24	C1U W32A	C1U W43A-B	C1U W45	C1U W46	C1U W49
	Venturi	7mm	8mm	7mm	10mm	10mm	7mm	8mm
★	Rebuild Kit	RB-47	RB-115	RB-142	RB-156	RB-156	RB-47	RB-156
●	Gasket & Diaphragm Kit	★ GND-18	★ GND-12	★ GND-78	★ GND-77	★ GND-77	★ GND-18	★ GND-77
▲	Cover Kit, Pump	-----	-----	-----	-----	-----	-----	K017701
■	Base Kit, Primer	K056037	K056037	K056043	K056046	K056046	-----	K056704
⊕	Plunger kit	-----	-----	K053039	K053059	K053059	-----	-----
1	Strainer	★ 0004032	★ 0004032	★ 0004032	★ 0004032	★ 0004032	★ 0004032	★ 0004032
2	Strainer	-----	-----	0004005	0004005	0004005	-----	-----
3	Strainer	-----	-----	-----	-----	-----	-----	-----
4	Plug, Welch	★ 0005004	★ 0005004	★ 0005004	★ 0005004	★ 0005004	★ 0005004	★ 0005004
5	Valve, Check	-----	-----	-----	-----	-----	-----	-----
6	Retainer, Check Valve	-----	-----	-----	-----	-----	-----	-----
7	Retainer, Syringe	0009015	0009015	-----	0009084	0009084	0009015	-----
8	Nozzle Ass'y, Check Valve	A007063	A007169	A007169	A007188	A007188	A007179	A007188
9	Shaft Ass'y, Throttle	A011207	A011172	A011241	A011268	A011268	0011213	A011705
10	Lever, Throttle	0012106	-----	0012252	0012181	0012181	0012313	0012703
11	Spring, Throttle Return	0013016	0013016	0013016	0013016	0013016	0013074	0013016
12	Valve, Throttle	0014041	0014103	0014016	0014033	0014033	0014041	0014103
13	Diaphragm Ass'y, Metering	★ A015010	★ A015011	★ A015049	★ A015010	★ A015010	★ A015010	★ A015010
14	Diaphragm, Pump	★ 0015051	★ 0015051	★ 0015103	★ 0015103	★ 0015103	★ 0015051	★ 0015103
15	Diaphragm, Surge	-----	-----	-----	-----	-----	-----	-----
16	Gasket, Metering Chamber	★ 0016019	★ 0016021	★ 0016014	★ 0016019	★ 0016019	★ 0016019	★ 0016019
17	Gasket, Pump	★ 0016046	★ 0016046	★ 0016091	★ 0016091	★ 0016091	★ 0016046	★ 0016091
18	Cover, Pump	-----	-----	-----	-----	-----	-----	▲ A017701
19	Valve, Inlet Needle	★ 0018002	★ 0018002	★ 0018002	★ 0018002	★ 0018002	★ 0018002	★ 0018002
20	Spring, Metering Lever	★ 0019002	★ 0019002	★ 0019009	★ 0019002	★ 0019002	★ 0019002	★ 0019002
21	Lever, Metering	★ 0020012	★ 0020012	★ 0020012	★ 0020012	★ 0020012	★ 0020012	★ 0020012
22	Pin	★ 0021001	★ 0021001	★ 0021001	★ 0021001	★ 0021001	★ 0021001	★ 0021001
23	Cover, Metering Chamber	0028022	0028042	0028022	0028022	0028022	0028022	0028022
24	Spring, Adjust Screw	-----	-----	-----	-----	-----	-----	-----
25	Spring, Adjust Screw	-----	-----	-----	-----	-----	-----	-----
26	Screw, Main Mixture	0030210	0030194	0030210	0030251	0030251	0030210	0030210
27	Screw, Idle Mixture	0031213	0031192	0031213	0031212	0031212	0031213	0031212
28	Screw, Throttle Adjust	■ 0035035	■	■	0035035	0035035	-----	▲ 0035035
29	Piece, Friction	■ 0036001	■	■	0036001	0036001	-----	▲ 0036001
30	Spring, Friction	0038001	0038001	-----	-----	-----	0038001	-----
31	Shaft Ass'y, Choke	A041103	0041120	A041119	A041130	A041130	0041165	-----
32	Valve, Choke	0043008	0043055	-----	-----	-----	0043024	-----
33	Post	-----	-----	-----	-----	-----	-----	-----
34	Collar	-----	-----	-----	0052006	0052006	-----	0052702
35	Plunger	-----	-----	⊕	⊕	⊕	-----	⊕
36	Spring (Plunger Return)	-----	-----	0054057	0054057	0054057	-----	-----
37	Spring (Syringe)	-----	-----	-----	-----	-----	-----	-----
38	Base Ass'y, Primer	■ A056078	■	■	-----	-----	A056076	■
39	Syringe	★ 0057025	★ 0057025	-----	0057025	0057025	★ 0057025	-----
40	Screw (Pin)	14903006	14903006	14903006	14903006	14903006	14903006	14903006
41	Screw (Throttle Valve)	156030045	156030045	15603004	156030045	156030045	156030045	156030045
42	Screw (Choke Valve)	156030045	-----	-----	-----	-----	-----	-----
43	Screw (Post)	-----	-----	-----	-----	-----	-----	-----
44	Screw (Metering Cover)	17203006	17203006	17203006	17203006	17203006	17203006	17203006
45	Screw (Pump Cover)	-----	-----	-----	-----	-----	-----	17103012
46	Screw (Throttle Lever)	17103004	-----	17103004	17103004	17103004	-----	17103007
47	Ball, Steel	19290030	19290030	-----	-----	-----	19290030	-----
48	E-Ring (Throttle Shaft)	19500030	19500030	19500040	-----	-----	19500030	19500040
49	E-Ring (Post)	-----	-----	-----	-----	-----	-----	-----
50	O-Ring (Plunger)	-----	-----	⊕	⊕	⊕	-----	⊕
51	Limiter, Mixture (H)	-----	-----	-----	-----	-----	-----	-----
52	Limiter, Mixture (L)	-----	-----	-----	-----	-----	-----	-----
53	Screw (Retainer)	17104015	17104015	17103012	17203012	17203012	17104015	-----
54	Washer (Limiter)	-----	-----	-----	-----	-----	-----	-----
55	Retainer (Limiter)	-----	-----	-----	-----	-----	-----	-----
56	Governor Ass'y	-----	-----	-----	-----	-----	-----	-----
57	Washer (Governor)	-----	-----	-----	-----	-----	-----	-----
58	Boot	-----	-----	-----	-----	-----	-----	-----
59	O-Ring (Throttle Shaft)	-----	-----	-----	-----	-----	-----	-----
60	Lever, Choke	0042132	-----	0042154	0042178	0042188	-----	0042702
61	Lever, Choke Control	0042088	-----	-----	-----	-----	-----	-----
62	Spring, Choke Return	0013093	-----	0013112	0013085	0013085	-----	0013705
63	Diaphragm, Start Pump	-----	-----	-----	-----	-----	-----	-----
64	Gasket, Start Pump	-----	-----	-----	-----	-----	-----	-----
65	E-Ring (Choke Shaft)	-----	-----	-----	19500035	19500035	-----	-----
66	SCREW	-----	-----	16403006	-----	-----	-----	-----

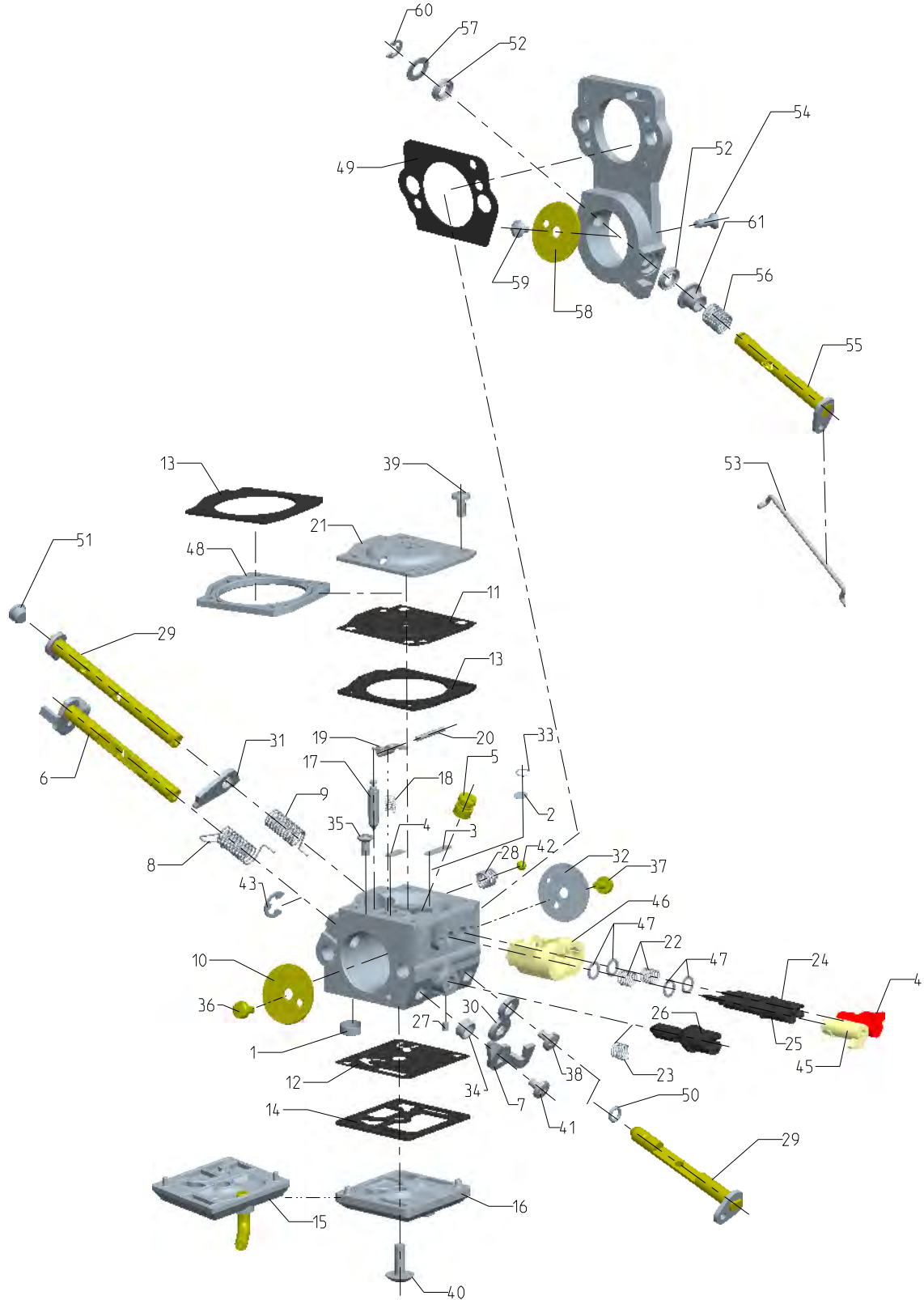
PARTS LIST



C3 TYPE

* THIS ILLUSTRATION DOES NOT REPRESENT EVERY MODEL. THIS IS INTENDED FOR A GENERIC REFERENCE ONLY.

C3 TYPE



REF.NO	PART NAME
1	STRAINER
2	STRAINER
3	PLUG, WELCH
4	PLUG, WELCH
5	NOZZLE ASS'Y, CHECK VALVE
6	SHAFT ASS'Y, THROTTLE
7	LEVER, THROTTLE
8	SPRING, THROTTLE RETURN
9	SPRING, CHOKE RETURN
10	VALVE, THROTTLE
11	DIAPHRAGM ASS'Y, METERING
12	DIAPHRAGM, PUMP
13	GASKET, METERING CHAMBER
14	GASKET, PUMP
15	COVER ASS'Y, PUMP
16	COVER, PUMP
17	VALVE, INLET NEEDLE
18	SPRING, METERING LEVER
19	LEVER, METERING
20	PIN
21	COVER, METERING CHAMBER
22	SPRING, ADJUST SCREW
23	SPRING, ADJUST SCREW
24	SCREW, MAIN MIXTURE
25	SCREW, IDLE MIXTURE
26	SCREW, THROTTLE ADJUST
27	PIECE, FRICTION
28	SPRING, FRICTION
29	SHAFT ASS'Y, CHOKE
30	LEVER, CHOKE
31	LEVER, CHOKE
32	VALVE, CHOKE
33	RING, WIRE
34	COLLAR
35	SCREW (PIN)
36	SCREW (THROTTLE VALVE)
37	SCREW (CHOKE VALVE)
38	SCREW (CHOKE LEVER)
39	SCREW (METERING COVER)
40	SCREW (PUMP COVER)
41	SCREW (THROTTLE LEVER)
42	BALL, STEEL
43	E-RING (THROTTLE SHAFT)
44	LIMITER (H)
45	LIMITER (L)
46	RETAINER (LIMITER)
47	WASHER (LIMITER)
48	COVER, COMPENSATOR
49	GASKET (AIR HEAD)
50	O-RING
51	PLUG (CHOKE SHAFT)
52	QUAD RING
53	ROD LINKAGE (AIR HEAD)
54	SCREW (BODY AIR HEAD)
55	SHAFT ASS'Y (AIR HEAD)
56	SPRING (AIR HEAD ,RETURN)
57	WASHER
58	VALVE (AIR HEAD)
59	SCREW (VALVE, AIR HEAD)
60	E-RING (SHAFT, AIR HEAD)
61	COLLAR (SHAFT, AIR HEAD)

PARTS LIST

C3 TYPE

REF	PART NAME	C3 E8.A	C3 E9.A	C3 EL15.A	C3 EL16.A	C3 EL17.A-B	C3 EL18.A-B	C3 EL29A-B
	Venturi	15 mm	15 mm	15 mm	15 mm	15 mm	15 mm	14 mm
★	Rebuild Kit	RB-95	RB-95	RB-95	RB-95	RB-122	RB-122	RB-133
●	Gasket & Diaphragm Kit	GND-54	GND-54	GND-54	GND-54	GND-65	GND-65	GND-73
▲	Cover Kit, Pump	-----	-----	-----	-----	-----	-----	-----
†	Body Ass'y, AirHead	-----	-----	-----	-----	-----	-----	A088004
1	Strainer	★ 0004011	★ 0004011	★ 0004011	★ 0004011	★ 0004011	★ 0004011	★ 0004011
2	Strainer	-----	-----	-----	-----	-----	-----	-----
3	Plug, Welch	★ 0005004	★ 0005004	★ 0005004	★ 0005004	★ 0005004	★ 0005004	★ 0005004
4	Plug, Welch	★ 0005006	★ 0005006	★ 0005006	★ 0005006	★ 0005006	★ 0005006	★ 0005006
5	Nozzle Ass'y, Check Valve	A007202	A007203	A007165	A007166	A007219	A007220	A007218
6	Shaft Ass'y, Throttle	A011205	A011205	A011175	A011175	A011184	A011184	A011222
7	Lever, Throttle	0012194	0012194	0012163	0012163	0012163	0012163	-----
8	Spring, Throttle Return	0013089	0013089	0013076	0013076	0013076	0013076	0013117
9	Spring, Choke Return	0013090	0013090	0013077	0013077	0013077	0013077	-----
10	Valve, Throttle	0014113	0014113	0014098	0014098	0014106	0014106	0014098
11	Diaphragm Ass'y, Metering	★● A015040	★● A015040	★● A015040	★● A015040	★● A015040	★● A015040	★● A015055
12	Diaphragm, Pump	★● 0015039	★● 0015039	★● 0015039	★● 0015039	★● 0015049	★● 0015049	★● 0015039
13	Gasket, Metering Chamber	★● 0016051	★● 0016051	★● 0016051	★● 0016051	★● 0016051	★● 0016051	★● 0016093
14	Gasket, Pump	★● 0016032	★● 0016032	★● 0016032	★● 0016032	★● 0016032	★● 0016032	★● 0016032
15	Cover Ass'y, Pump	A017045	A017045	-----	-----	-----	-----	A017048
16	Cover, Pump	-----	-----	0017041	0017041	0017041	0017041	-----
17	Valve, Inlet Needle	★ 0018002	★ 0018002	★ 0018002	★ 0018002	★ 0018002	★ 0018002	★ 0018002
18	Spring, Metering Lever	★ 0019013	★ 0019013	★ 0019013	★ 0019013	★ 0019013	★ 0019013	★ 0019009
19	Lever, Metering	★ 0020033	★ 0020033	★ 0020033	★ 0020033	★ 0020033	★ 0020033	★ 0020033
20	Pin	★ 0021001	★ 0021001	★ 0021001	★ 0021001	★ 0021001	★ 0021001	★ 0021001
21	Cover, Metering Chamber	A028026	A028026	0028012	0028012	0028044	0028044	0028047
22	Spring, Adjust Screw	0029005	0029036	0029005	0029005	0029005	0029036	-----
23	Spring, Adjust Screw	-----	-----	-----	-----	-----	-----	-----
24	Screw, Main Mixture	0030213	0030214	0030189	0030183	0030182	0030183	0030226
25	Screw, Idle Mixture	0031215	0031216	0031184	0031185	0031195	0031196	0031228
26	Screw, Throttle Adjust	0035072	0035072	0035072	0035072	0035072	0035072	0035022
27	Piece, Friction	0036001	0036001	0036001	0036001	0036001	0036001	0036001
28	Spring, Friction	-----	-----	0038001	0038001	0038001	0038001	0038001
29	Shaft Ass'y, Choke	A041102	A041102	A041086	A041086	A041092	A041092	A041110
30	Lever, Choke	0042118	0042118	0042092	0042092	0042092	0042092	-----
31	Lever, Choke	0042120	0042120	0042094	0042094	0042144	0042144	-----
32	Valve, Choke	0043063	0043063	0043009	0043009	0043010	0043010	0043061
33	Ring, Wire	-----	-----	-----	-----	-----	-----	-----
34	Collar	0052007	0052007	0052005	0052005	0052005	0052005	0052015
35	Screw (Pin)	14803006	14803006	14803006	14803006	149030055	149030055	149030055
36	Screw (Throttle Valve)	156030055	156030055	156030055	156030055	156030055	156030055	15702545
37	Screw (Choke Valve)	156030045	156030045	156030045	156030045	156030045	156030045	156030045
38	Screw (Choke Lever)	17103004	17103004	17103004	17103004	17103004	17103004	-----
39	Screw (Metering Cover)	17203006	17203006	17203006	17203006	17203006	17203006	17203009
40	Screw (Pump Cover)	17004010	17004010	17004010	17004010	17004010	17004010	17004010
41	Screw (Throttle Lever)	17103004	17103004	17103004	17103004	17103004	17103004	-----
42	Ball, Steel	-----	-----	19290030	19290030	19290030	19290030	19290030
43	E-Ring (Throttle Shaft)	-----	-----	-----	-----	-----	-----	19500030
44	Limiters, Mixture (H)	-----	0061027	-----	0061027	-----	0061027	-----
45	Limiters, Mixture (L)	-----	0061028	-----	0061028	-----	0061028	-----
46	Retainer (Limiters)	-----	0009031	-----	0009031	-----	0009031	-----
47	Washer (Limiters)	-----	0026006	-----	0026006	-----	0026006	-----
48	Cover, Compensator	-----	-----	-----	-----	-----	-----	0028048
49	Gasket, Air Head	-----	-----	-----	-----	-----	-----	★● 0016094
50	O-Ring	-----	-----	-----	-----	-----	-----	★ 195503010
51	Plug, Choke Shaft	-----	-----	-----	-----	-----	-----	0005047
52	Quad Ring	-----	-----	-----	-----	-----	-----	★† 195505178
53	Rod Linkage, AirHead	-----	-----	-----	-----	-----	-----	0063026
54	Screw, Body AirHead	-----	-----	-----	-----	-----	-----	14902509
55	Shaft Ass'y, AirHead	-----	-----	-----	-----	-----	-----	+ A011223
56	Spring, AirHead Return	-----	-----	-----	-----	-----	-----	+ 0013100
57	Washer	-----	-----	-----	-----	-----	-----	+ 0026036
58	Valve AirHead	-----	-----	-----	-----	-----	-----	+ 0014098
59	Screw, Valve AirHead	-----	-----	-----	-----	-----	-----	+ 15702545
60	E-Ring, Shaft AirHead	-----	-----	-----	-----	-----	-----	+ 19500030
61	Collar, Shaft AirHead	-----	-----	-----	-----	-----	-----	+ 0052015

PARTS LIST

C3 TYPE

REF	PART NAME	C3 EL29C	C3 EL32	C3 EL42	C3 EL43	C3 EL43A	C3 S148	C3 S149
	Venturi	14 mm	15 mm	17 mm	14 mm	14 mm	15.5 mm	15.5 mm
★	Rebuild Kit	RB-177	RB-122	RB-163	RB-133	RB-177	RB-167	RB-167
●	Gasket & Diaphragm Kit	GND-73	GND-65	GND-94	GND-73	GND-73	GND-96	GND-96
▲	Cover Kit, Pump	-----	-----	-----	-----	-----	-----	-----
+	Body Ass'y, AirHead	A088004	-----	-----	A088004	A088004	-----	-----
1	Strainer	★ 0004011	★ 0004011	★ 0004011	★ 0004011	★ 0004011	★ 0004011	★ 0004011
2	Strainer	-----	-----	-----	-----	-----	-----	-----
3	Plug, Welch	★ 0005004	★ 0005004	★ 0005004	★ 0005004	★ 0005004	0005004	0005004
4	Plug, Welch	★ 0005006	★ 0005006	★ 0005006	★ 0005006	★ 0005006	-----	-----
5	Nozzle Ass'y, Check Valve	A007218	A007220	A007255	A007218	A007218	A007252	A007251
6	Shaft Ass'y, Throttle	A011222	A011184	A011175	A011222	A011222	A011269	A011269
7	Lever, Throttle	-----	0012163	0012163	-----	-----	0012298	0012298
8	Spring, Throttle Return	0013117	0013076	0013076	0013117	0013117	0013136	0013136
9	Spring, Choke Return	-----	0013077	0013077	-----	-----	-----	-----
10	Valve, Throttle	0014098	0014106	0014098	0014098	0014098	0014141	0014141
11	Diaphragm Ass'y, Metering	★● A015055	★● A015040	★● A015040	★● A015055	★● A015055	★● A015059	★● A015059
12	Diaphragm, Pump	★● 0015039	★● 0015049	★● 0015049	★● 0015039	★● 0015039	★● 0015049	★● 0015049
13	Gasket, Metering Chamber	★● 0016093	★● 0016051	★● 0016103	★● 0016093	★● 0016093	★● 0016042	★● 0016042
14	Gasket, Pump	★● 0016032	★● 0016032	★● 0016032	★● 0016032	★● 0016032	★● 0016032	★● 0016032
15	Cover Ass'y, Pump	A017048	-----	-----	A017048	A017048	-----	-----
16	Cover, Pump	-----	0017041	0017041	-----	-----	0017041	0017041
17	Valve, Inlet Needle	★ 0018002	★ 0018002	★ 0018002	★ 0018002	★ 0018002	★ 0018002	★ 0018002
18	Spring, Metering Lever	★ 0019036	★ 0019013	★ 0019013	★ 0019009	★ 0019036	★ 0019015	★ 0019015
19	Lever, Metering	★ 0020033	★ 0020033	★ 0020033	★ 0020033	★ 0020033	★ 0020033	★ 0020033
20	Pin	★ 0021001	★ 0021001	★ 0021001	★ 0021001	★ 0021001	★ 0021001	★ 0021001
21	Cover, Metering Chamber	0028047	0028044	0028044	0028047	0028047	0028051	0028051
22	Spring, Adjust Screw	-----	0029036	0029036	-----	-----	-----	-----
23	Spring, Adjust Screw	-----	-----	-----	-----	-----	-----	-----
24	Screw, Main Mixture	0030226	0030183	0030183	0030226	0030226	0030260	0030260
25	Screw, Idle Mixture	0031228	0031196	0031185	0031228	0031228	0031257	0031257
26	Screw, Throttle Adjust	0035022	0035072	0035072	0035022	0035022	0035081	0035081
27	Piece, Friction	0036001	0036001	0036001	0036001	0036001	0036001	0036001
28	Spring, Friction	0038001	0038001	0038001	0038001	0038001	-----	-----
29	Shaft Ass'y, Choke	A041110	A041092	A041086	A041110	A041110	-----	-----
30	Lever, Choke	-----	0042092	0042092	-----	-----	-----	-----
31	Lever, Choke	-----	0042144	0042144	-----	-----	-----	-----
32	Valve, Choke	0043061	0043065	0043009	0043078	0043078	-----	-----
33	Ring, Wire	-----	-----	-----	-----	-----	-----	-----
34	Collar	0052015	0052005	0052005	0052015	0052015	0052013	0052013
35	Screw (Pin)	149030055	149030055	149030055	149030055	149030055	14803006	14803006
36	Screw (Throttle Valve)	15702545	156030055	156030055	157025045	157025045	156030055	156030055
37	Screw (Choke Valve)	156030045	156030045	156030045	156030045	156030045	-----	-----
38	Screw (Choke Lever)	-----	17103004	17103004	-----	-----	-----	-----
39	Screw (Metering Cover)	17203009	17203006	17203006	17203009	17203009	17103007	17103007
40	Screw (Pump Cover)	17004010	17004010	17004010	17004010	17004010	17004010	17004010
41	Screw (Throttle Lever)	-----	17103004	17103004	-----	-----	17103004	17103004
42	Ball, Steel	19290030	19290030	19290030	19290030	19290030	-----	-----
43	E-Ring (Throttle Shaft)	19500030	-----	-----	19500030	19500030	-----	-----
44	Limit, Mixture (H)	-----	0061027	0061027	-----	-----	-----	-----
45	Limit, Mixture (L)	-----	0061028	0061028	-----	-----	-----	-----
46	Retainer (Limit)	-----	0009031	0009031	-----	-----	-----	-----
47	Washer (Limit)	-----	0026006	0026006	-----	-----	-----	-----
48	Cover, Compensator	0028048	-----	-----	0028048	0028048	-----	-----
49	Gasket, Air Head	★● 0016094	-----	-----	★● 0016094	★● 0016094	-----	-----
50	O-Ring	★ 195503010	-----	-----	★ 195503010	★ 195503010	-----	-----
51	Plug, Choke Shaft	0005047	-----	-----	0005047	0005047	-----	-----
52	Quad Ring	★+ 195505178	-----	-----	★+ 195505178	★+ 195505178	-----	-----
53	Rod Linkage, AirHead	0063026	-----	-----	0063026	0063026	-----	-----
54	Screw, Body AirHead	14902509	-----	-----	14902509	14902509	-----	-----
55	Shaft Ass'y, AirHead	+ A011223	-----	-----	+ A011223	+ A011223	-----	-----
56	Spring, AirHead Return	+ 0013100	-----	-----	+ 0013100	+ 0013100	-----	-----
57	Washer	+ 0026036	-----	-----	+ 0026036	+ 0026036	-----	-----
58	Valve AirHead	+ 0014098	-----	-----	+ 0014098	+ 0014098	-----	-----
59	Screw, Valve AirHead	+ 15702545	-----	-----	+ 157025045	+ 157025045	-----	-----
60	E-Ring, Shaft AirHead	+ 19500030	-----	-----	+ 19500030	+ 19500030	-----	-----
61	Collar, Shaft AirHead	+ 0052015	-----	-----	+ 0052015	+ 0052015	-----	-----

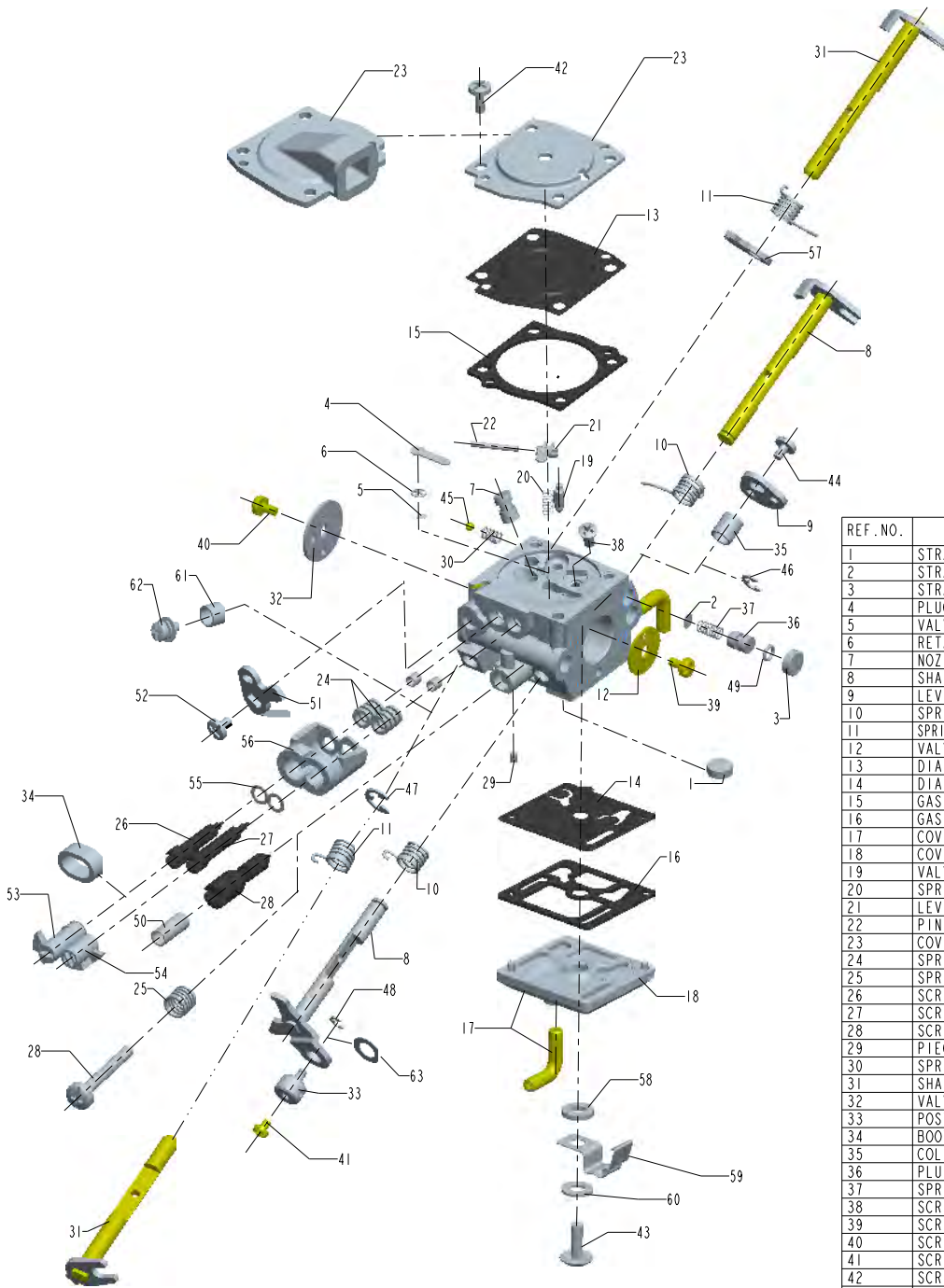
PARTS LIST



C3A/M TYPE

C3A/M TYPE

• THIS ILLUSTRATION DOES NOT REPRESENT EVERY MODEL. THIS IS INTENDED FOR A GENERIC REFERENCE ONLY.



REF. NO.	PART NAME
1	STRAINER
2	STRAINER
3	STRAINER
4	PLUG, WELCH
5	VALVE, CHECK
6	RETAINER, CHECK VALVE
7	NOZZLE ASS'Y, CHECK VALVE
8	SHAFT ASSEMBLY, THROTTLE
9	LEVER, THROTTLE
10	SPRING, THROTTLE RETURN
11	SPRING, CHOKE RETURN
12	VALVE, THROTTLE
13	DIAPHRAGM ASS'Y, METERING
14	DIAPHRAGM, PUMP
15	GASKET, METERING CHAMBER
16	GASKET, PUMP
17	COVER ASSY, PUMP
18	COVER, PUMP
19	VALVE, INLET NEEDLE
20	SPRING, METERING LEVER
21	LEVER, METERING
22	PIN
23	COVER, METERING CHAMBER
24	SPRING, ADJUST SCREW
25	SPRING, ADJUST SCREW
26	SCREW, MAIN MIXTURE
27	SCREW, IDLE MIXTURE
28	SCREW, THROTTLE ADJUST
29	PIECE, FRICTION
30	SPRING, FRICTION
31	SHAFT ASS'Y, CHOKE
32	VALVE, CHOKE
33	POST
34	BOOT
35	COLLAR
36	PLUNGER
37	SPRING (PLUNGER RETURN)
38	SCREW (PIN)
39	SCREW (THROTTLE VALVE)
40	SCREW (CHOKE VALVE)
41	SCREW (POST)
42	SCREW (METERING COVER)
43	SCREW (PUMP COVER)
44	SCREW, THROTTLE LEVER
45	BALL, STEEL
46	E-RING (THROTTLE SHAFT)
47	E-RING (CHOKE SHAFT)
48	E-RING (POST)
49	O-RING (PLUNGER)
50	BOOT (THROTTLE ADJUST SCREW)
51	LEVER (THROTTLE ADJUST)
52	SCREW, THROTTLE ADJUST
53	LIMITER, MIXTURE (H)
54	LIMITER, MIXTURE (L)
55	WASHER, (LIMITER)
56	RETAINER, LIMITER
57	LEVER, CHOKE RETURN
58	WASHER (PUMP)
59	RETAINER (THERMOSTAT)
60	WASHER (RETAINER, THERMOSTAT)
61	COLLAR, CHOKE SHAFT
62	SCREW, CHOKE SHAFT
63	WASHER, POST

PARTS LIST

C3A/M TYPE

REF	PART NAME	C3A G1	C3A G1A	C3A S4A - C	C3A S19	C3A S25	C3A S26	C3A S27B
	Venturi	13.5 mm	13.5 mm	15 mm	15 mm	15 mm	15 mm	15 mm
★	Rebuild Kit	RB-30	RB-30	RB-31	RB-31	RB-31	RB-31	RB-31
●	Gasket & Diaphragm Kit	GND-20	GND-20	GND-21	GND-21	GND-21	GND-21	GND-21
▲	Cover Kit, Pump	-----	-----	-----	-----	-----	-----	-----
1	Strainer	★ 0004009	★ 0004009	★ 0004011	★ 0004011	★ 0004011	★ 0004011	★ 0004011
2	Strainer	-----	-----	-----	-----	-----	-----	-----
3	Strainer	-----	-----	-----	-----	-----	-----	-----
4	Plug, Welch	★ 0005005	★ 0005005	★ 0005010	★ 0005010	★ 0005010	★ 0005010	★ 0005010
5	Valve, Check	-----	-----	-----	-----	-----	-----	-----
6	Retainer, Check Valve	-----	-----	-----	-----	-----	-----	-----
7	Nozzle Ass'y, Check Valve	A007030	A007021	A007028	A007053	A007053	A007053	A007110
8	Shaft Ass'y, Throttle	A011046	A011046	A011036	A011036	A011036	A011036	A011036
9	Lever, Throttle	-----	-----	-----	-----	-----	-----	-----
10	Spring, Throttle Return	0013018	0013029	0013018	0013018	0013018	0013018	0013018
11	Spring, Choke Return	-----	0054010	0013019	0013019	0013019	0013019	0013019
12	Valve, Throttle	0014024	0014024	0014018	0014018	0014018	0014018	0014018
13	Diaphragm Ass'y, Metering	●● A015013	●● A015013	●● A015013	●● A015013	●● A015013	●● A015013	●● A015013
14	Diaphragm, Pump	●● 0015046	●● 0015046	●● 0015049	●● 0015049	●● 0015049	●● 0015049	●● 0015049
15	Gasket, Metering Chamber	●● 0016027	●● 0016027	●● 0016042	●● 0016042	●● 0016042	●● 0016042	●● 0016042
16	Gasket, Pump	●● 0016025	●● 0016025	●● 0016032	●● 0016032	●● 0016032	●● 0016032	●● 0016032
17	Cover Ass'y, Pump	-----	-----	-----	-----	-----	-----	-----
18	Cover, Pump	0017041	0017041	0017041	0017041	0017050	0017041	0017050
19	Valve, Inlet Needle	★ 0018004	★ 0018004	★ 0018004	★ 0018004	★ 0018004	★ 0018004	★ 0018004
20	Spring, Metering Lever	★ 0019012	★ 0019012	★ 0019002	★ 0019002	★ 0019002	★ 0019002	★ 0019002
21	Lever, Metering	★ 0020012	★ 0020012	★ 0020012	★ 0020012	★ 0020012	★ 0020012	★ 0020012
22	Pin	★ 0021001	★ 0021001	★ 0021001	★ 0021001	★ 0021001	★ 0021001	★ 0021001
23	Cover, Metering Chamber	0028012	0028012	0028018	0028018	0028018	0028021	0028024
24	Spring, Adjust Screw	0029005	0029005	0029005	0029005	0029005	0029005	0029005
25	Spring, Adjust Screw	-----	-----	-----	-----	-----	-----	-----
26	Screw, Main Mixture	0030029	0030029	0030026	0030058	0030058	0030058	K030146
27	Screw, Idle Mixture	0031026	0031026	0031032	0031058	0031058	0031058	K031141
28	Screw, Throttle Adjust	0035013	0035021	0035013	0035013	0035013	0035013	0035037
29	Piece, Friction	0036001	0036001	0036001	0036001	0036001	0036001	0036001
30	Spring, Friction	0038001	0038001	-----	-----	-----	-----	-----
31	Shaft Ass'y, Choke	A041014	A041014	A041011	A041011	A041043	A041011	A041043
32	Valve, Choke	0043010	0043010	0043011	0043011	0043011	0043011	0043011
33	Post	-----	-----	-----	-----	-----	-----	-----
34	Boot	-----	-----	-----	-----	-----	-----	-----
35	Collar	-----	-----	-----	-----	-----	-----	-----
36	Plunger	-----	-----	-----	-----	-----	-----	-----
37	Spring (Plunger Return)	-----	-----	-----	-----	-----	-----	-----
38	Screw (Pin)	14803006	14803006	14803006	14803006	14803006	14803006	14803006
39	Screw (Throttle Valve)	15603004	15603004	156030055	156030055	156030055	156030055	156030055
40	Screw (Choke Valve)	156030045	156030045	156030045	156030045	156030045	156030045	156030045
41	Screw (Post)	-----	-----	-----	-----	-----	-----	-----
42	Screw (Metering Cover)	17103007	17103007	17103007	17203006	17203006	17103007	17103007
43	Screw (Pump Cover)	17004010	17004010	17004010	17004010	17104012	17004010	17104012
44	Screw (Throttle Lever)	-----	-----	-----	-----	-----	-----	-----
45	Ball, Steel	19290030	19290030	-----	-----	-----	-----	-----
46	E-Ring (Throttle Shaft)	19500030	19500030	19500030	19500030	19500030	19500030	19500030
47	E-Ring (Choke Shaft)	-----	19500025	19500025	19500025	19500024	19500025	19500024
48	E-Ring (Post)	-----	-----	-----	-----	-----	-----	-----
49	O-Ring (Plunger)	-----	-----	-----	-----	-----	-----	-----
50	Boot (Throttle Adj. Screw)	-----	-----	-----	-----	-----	-----	-----
51	Lever, Throttle Adjust	-----	-----	-----	-----	-----	-----	-----
52	Screw (Throttle Adj Lever)	-----	-----	-----	-----	-----	-----	-----
53	Limiter, Mixture (H)	-----	-----	-----	-----	-----	-----	-----
54	Limiter, Mixture (L)	-----	-----	-----	-----	-----	-----	-----
55	Washer (Limiter)	-----	-----	-----	-----	-----	-----	-----
56	Retainer (Limiter)	-----	-----	-----	-----	-----	-----	-----
57	Lever, Choke	-----	-----	-----	-----	-----	-----	-----
58	Washer (Pump)	-----	-----	-----	-----	-----	-----	-----
59	Retainer (Thermostat)	-----	-----	-----	-----	-----	-----	-----
60	Washer (Retainer, Thermostat)	-----	-----	-----	-----	-----	-----	-----
61	Collar, Choke Shaft	-----	-----	-----	-----	-----	-----	-----
62	Screw, Collar Choke Shaft	-----	-----	-----	-----	-----	-----	-----
63	Washer, Post	-----	-----	-----	-----	-----	-----	-----

PARTS LIST

C3A/M TYPE

REF	PART NAME	C3A S27C-D	C3A S31.A	C3A S31B	C3A S31C	C3A S31D-E	C3A S38	C3A S38A-B
	Venturi	15 mm	15 mm	15 mm	15 mm	15 mm	15 mm	15 mm
★	Rebuild Kit	RB-31	RB-31	RB-31	RB-31	RB-31	RB-31	RB-31
●	Gasket & Diaphragm Kit	★ GND-21	★ GND-21	★ GND-21	★ GND-21	★ GND-21	★ GND-21	★ GND-21
▲	Cover Kit, Pump	-----	-----	-----	-----	-----	-----	-----
1	Strainer	★ 0004011	★ 0004011	★ 0004011	★ 0004011	★ 0004011	★ 0004011	★ 0004011
2	Strainer	-----	-----	-----	-----	-----	-----	-----
3	Strainer	-----	-----	-----	-----	-----	-----	-----
4	Plug, Welch	★ 0005010	★ 0005010	★ 0005010	★ 0005010	★ 0005010	★ 0005010	★ 0005010
5	Valve, Check	-----	-----	-----	-----	-----	-----	-----
6	Retainer, Check Valve	-----	-----	-----	-----	-----	-----	-----
7	Nozzle Ass'y, Check Valve	A007114	A007082	A007110	A007110	A007114	A007110	A007114
8	Shaft Ass'y, Throttle	A011036	A011036	A011036	A011036	A011036	A011036	A011036
9	Lever, Throttle	-----	-----	-----	-----	-----	-----	-----
10	Spring, Throttle Return	0013018	0013018	0013018	0013018	0013018	0013018	0013018
11	Spring, Choke Return	0013019	0013019	0013019	0013019	0013019	0013019	0013019
12	Valve, Throttle	0014018	0014018	0014018	0014018	0014018	0014018	0014018
13	Diaphragm Ass'y, Metering	●● A015013	●● A015013	●● A015013	●● A015013	●● A015013	●● A015013	●● A015013
14	Diaphragm, Pump	●● 0015049	●● 0015049	●● 0015049	●● 0015049	●● 0015049	●● 0015049	●● 0015049
15	Gasket, Metering Chamber	●● 0016042	●● 0016042	●● 0016042	●● 0016042	●● 0016042	●● 0016042	●● 0016042
16	Gasket, Pump	●● 0016032	●● 0016032	●● 0016032	●● 0016032	●● 0016032	●● 0016032	●● 0016032
17	Cover Ass'y, Pump	-----	-----	-----	-----	-----	-----	-----
18	Cover, Pump	0017050	0017041	0017041	0017041	0017041	0017041	0017041
19	Valve, Inlet Needle	★ 0018004	★ 0018004	★ 0018004	★ 0018004	★ 0018004	★ 0018004	★ 0018004
20	Spring, Metering Lever	★ 0019002	★ 0019002	★ 0019002	★ 0019002	★ 0019002	★ 0019002	★ 0019002
21	Lever, Metering	★ 0020012	★ 0020012	★ 0020012	★ 0020012	★ 0020012	★ 0020012	★ 0020012
22	Pin	★ 0021001	★ 0021001	★ 0021001	★ 0021001	★ 0021001	★ 0021001	★ 0021001
23	Cover, Metering Chamber	0028024	0028021	0028021	0028021	0028021	0028018	0028018
24	Spring, Adjust Screw	0029005	0029005	0029005	0029005	0029005	0029005	0029005
25	Spring, Adjust Screw	-----	-----	-----	-----	-----	-----	-----
26	Screw, Main Mixture	K030097	K030097	K030146	K030097	K030097	K030146	K030146
27	Screw, Idle Mixture	K031149	K031094	K031141	K031141	K031149	K031141	K031149
28	Screw, Throttle Adjust	0035037	0035037	0035037	0035037	0035037	0035037	0035037
29	Piece, Friction	0036001	0036001	0036001	0036001	0036001	0036001	0036001
30	Spring, Friction	-----	-----	-----	-----	-----	-----	-----
31	Shaft Ass'y, Choke	A041043	A041011	A041011	A041011	A041043	A041011	A041043
32	Valve, Choke	0043011	0043011	0043011	0043011	0043011	0043011	0043011
33	Post	-----	-----	-----	-----	-----	-----	-----
34	Boot	-----	-----	-----	-----	-----	-----	-----
35	Collar	-----	-----	-----	-----	-----	-----	-----
36	Plunger	-----	-----	-----	-----	-----	-----	-----
37	Spring (Plunger Return)	-----	-----	-----	-----	-----	-----	-----
38	Screw (Pin)	14803006	14803006	14803006	14803006	14803006	14803006	14803006
39	Screw (Throttle Valve)	156030055	156030055	156030055	156030055	156030055	156030055	156030055
40	Screw (Choke Valve)	156030045	156030045	156030045	156030045	156030045	156030045	156030045
41	Screw (Post)	-----	-----	-----	-----	-----	-----	-----
42	Screw (Metering Cover)	17103007	17103007	17103007	17103007	17103007	17203006	17203006
43	Screw (Pump Cover)	17104012	17004010	17004010	17004010	17004010	17004010	17004010
44	Screw (Throttle Lever)	-----	-----	-----	-----	-----	-----	-----
45	Ball, Steel	-----	-----	-----	-----	-----	-----	-----
46	E-Ring (Throttle Shaft)	19500030	19500030	19500030	19500030	19500030	19500030	19500030
47	E-Ring (Choke Shaft)	19500024	19500025	19500025	19500025	19500024	19500025	19500024
48	E-Ring (Post)	-----	-----	-----	-----	-----	-----	-----
49	O-Ring (Plunger)	-----	-----	-----	-----	-----	-----	-----
50	Boot (Throttle Adj. Screw)	-----	-----	-----	-----	-----	-----	-----
51	Lever, Throttle Adjust	-----	-----	-----	-----	-----	-----	-----
52	Screw (Throttle Adj Lever)	-----	-----	-----	-----	-----	-----	-----
53	Limit, Mixture (H)	-----	-----	-----	-----	-----	-----	-----
54	Limit, Mixture (L)	-----	-----	-----	-----	-----	-----	-----
55	Washer (Limit)	-----	-----	-----	-----	-----	-----	-----
56	Retainer (Limit)	-----	-----	-----	-----	-----	-----	-----
57	Lever, Choke	-----	-----	-----	-----	-----	-----	-----
58	Washer (Pump)	-----	-----	-----	-----	-----	-----	-----
59	Retainer (Thermostat)	-----	-----	-----	-----	-----	-----	-----
60	Washer (Retainer, Thermostat)	-----	-----	-----	-----	-----	-----	-----
61	Collar, Choke Shaft	-----	-----	-----	-----	-----	-----	-----
62	Screw, Collar Choke Shaft	-----	-----	-----	-----	-----	-----	-----
63	Washer, Post	-----	-----	-----	-----	-----	-----	-----

PARTS LIST

C3A/M TYPE

REF	PART NAME	C3A S39A-B	C3A S52	C3A S65	C3M DM11	C3M DM11A	C3M DM11B	C3M DM11C
	Venturi	15 mm	15 mm	15 mm	17 mm	17 mm	17 mm	17 mm
★	Rebuild Kit	RB-31	RB-31	RB-31	RB-101	RB-101	RB-101	RB-153
●	Gasket & Diaphragm Kit	GND-21	GND-21	GND-21	GND-63	GND-63	GND-63	GND-86
▲	Cover Kit, Pump	-----	-----	-----	-----	-----	-----	-----
1	Strainer	★ 0004011	★ 0004011	★ 0004011	★ 0004011	★ 0004011	★ 0004011	★ 0004011
2	Strainer	-----	-----	-----	-----	-----	-----	-----
3	Strainer	-----	-----	-----	-----	-----	-----	-----
4	Plug, Welch	★ 0005010	★ 0005010	★ 0005010	★ 0005004	★ 0005004	★ 0005004	★ 0005004
5	Valve, Check	-----	-----	-----	-----	-----	-----	-----
6	Retainer, Check Valve	-----	-----	-----	-----	-----	-----	-----
7	Nozzle Ass'y, Check Valve	A007114	A007114	A007162	A007176	A007176	A007176	A007176
8	Shaft Ass'y, Throttle	A011036	A011036	A011036	A011197	A011197	A011197	A011197
9	Lever, Throttle	-----	-----	-----	0012171	0012171	0012171	0012171
10	Spring, Throttle Return	0013018	0013018	0013018	0013020	0013020	0013020	0013020
11	Spring, Choke Return	0013019	0013019	0013019	0013067	0013067	0013067	0013067
12	Valve, Throttle	0014018	0014018	0014018	0014025	0014025	0014025	0014025
13	Diaphragm Ass'y, Metering	★● A015013	★● A015013	★● A015013	★● A015013	★● A015013	★● A015013	★● A015040
14	Diaphragm, Pump	★● 0015049	★● 0015049	★● 0015049	★● 0015040	★● 0015040	★● 0015040	★● 0015040
15	Gasket, Metering Chamber	★● 0016042	★● 0016042	★● 0016042	★● 0016051	★● 0016051	★● 0016051	★● 0016051
16	Gasket, Pump	★● 0016032	★● 0016032	★● 0016032	★● 0016032	★● 0016032	★● 0016032	★● 0016032
17	Cover Ass'y, Pump	-----	-----	-----	-----	-----	-----	-----
18	Cover, Pump	0017041	0017050	0017041	0017053	0017053	0017053	0017098
19	Valve, Inlet Needle	★ 0018004	★ 0018004	★ 0018004	★ 0018004	★ 0018004	★ 0018004	★ 0018004
20	Spring, Metering Lever	★ 0019002	★ 0019002	★ 0019002	★ 0019009	★ 0019009	★ 0019009	★ 0019012
21	Lever, Metering	★ 0020012	★ 0020012	★ 0020012	★ 0020012	★ 0020012	★ 0020012	★ 0020012
22	Pin	★ 0021001	★ 0021001	★ 0021001	★ 0021001	★ 0021001	★ 0021001	★ 0021001
23	Cover, Metering Chamber	0028021	0028024	0028021	0028033	0028033	0028033	0028033
24	Spring, Adjust Screw	0029031	0029031	0029005	0029005	0029005	0029005	0029005
25	Spring, Adjust Screw	-----	-----	-----	-----	-----	-----	-----
26	Screw, Main Mixture	K030147	K030147	K030097	0030061	0030061	0030235	0030235
27	Screw, Idle Mixture	K031147	K031147	K031149	K031109	K031109	K031152	K031152
28	Screw, Throttle Adjust	-----	0035037	0035037	0035036	0035036	0035036	0035036
29	Piece, Friction	0036001	0036001	0036001	0036001	0036001	0036001	0036001
30	Spring, Friction	-----	-----	-----	0038001	0038001	0038001	0038001
31	Shaft Ass'y, Choke	A041043	A041043	A041043	A041098	A041101	A041101	A041101
32	Valve, Choke	0043011	0043011	0043011	0043054	0043054	0043054	0043054
33	Post	-----	-----	-----	-----	-----	-----	-----
34	Boot	-----	-----	-----	0051006	0051006	0051006	0051006
35	Collar	-----	-----	-----	0052004	0052004	0052004	0052004
36	Plunger	-----	-----	-----	-----	-----	-----	-----
37	Spring (Plunger Return)	-----	-----	-----	-----	-----	-----	-----
38	Screw (Pin)	14803006	14803006	14803006	14803006	14803006	14803006	14803006
39	Screw (Throttle Valve)	156030055	156030055	156030055	156030055	156030055	156030055	156030055
40	Screw (Choke Valve)	156030045	156030045	156030045	156030045	156030045	156030045	156030045
41	Screw (Post)	-----	-----	-----	-----	-----	-----	-----
42	Screw (Metering Cover)	17103007	17103007	17103007	17203006	17203006	17203006	17203006
43	Screw (Pump Cover)	17004010	17004012	17004010	17004010	17004010	17004010	17004010
44	Screw (Throttle Lever)	-----	-----	-----	17103004	17103004	17103004	17103004
45	Ball, Steel	-----	-----	-----	19290030	19290030	19290030	19290030
46	E-Ring (Throttle Shaft)	19500030	19500030	19500030	-----	-----	-----	-----
47	E-Ring (Choke Shaft)	19500024	19500024	19500024	-----	-----	-----	-----
48	E-Ring (Post)	-----	-----	-----	-----	-----	-----	-----
49	O-Ring (Plunger)	-----	-----	-----	-----	-----	-----	-----
50	Boot (Throttle Adj. Screw)	-----	-----	-----	-----	-----	-----	-----
51	Lever, Throttle Adjust	-----	-----	-----	-----	-----	-----	-----
52	Screw (Throttle Adj Lever)	0035037	-----	-----	-----	-----	-----	-----
53	Limiter, Mixture (H)	0061030	0061030	-----	-----	-----	0061067	0061067
54	Limiter, Mixture (L)	0061029	0061029	-----	-----	-----	0061067	0061067
55	Washer (Limiter)	0026006	0026006	-----	-----	-----	0026014	0026014
56	Retainer (Limiter)	0009034	0009034	-----	-----	-----	-----	-----
57	Lever, Choke	-----	-----	-----	0042097	0042097	0042097	0042097
58	Washer (Pump)	-----	0026009	-----	-----	-----	-----	-----
59	Retainer (Thermostat)	-----	0009022	-----	-----	-----	-----	-----
60	Washer (Retainer, Thermostat)	-----	0026010	-----	-----	-----	-----	-----
61	Collar, Choke Shaft	-----	-----	-----	-----	0052001	0052001	0052001
62	Screw, Collar Choke Shaft	-----	-----	-----	-----	16403006	16403006	16403006
63	Washer, Post	-----	-----	-----	-----	-----	-----	-----

PARTS LIST

C3A/M TYPE

REF	PART NAME	C3M DM11D	C3M DM12	C3M DM12A	C3M DM12B	C3M EL2A	C3M EL2B	C3M EL2C
	Venturi	17 mm	17 mm	17 mm	17 mm	17 mm	17 mm	17 mm
★	Rebuild Kit	RB-153	RB-101	RB-101	RB-153	RB-60	RB-60	RB-60
●	Gasket & Diaphragm Kit	GND-86	GND-63	GND-63	GND-86	GND-24	GND-24	GND-24
▲	Cover Kit, Pump	-----	-----	-----	-----	-----	-----	-----
1	Strainer	★ 0004011	★ 0004011	★ 0004011	★ 0004011	★ 0004011	★ 0004011	★ 0004011
2	Strainer	-----	-----	-----	-----	-----	-----	-----
3	Strainer	-----	-----	-----	-----	-----	-----	-----
4	Plug, Welch	★ 0005004	★ 0005004	★ 0005004	★ 0005004	★ 0005004	★ 0005004	★ 0005004
5	Valve, Check	-----	-----	-----	-----	-----	-----	-----
6	Retainer, Check Valve	-----	-----	-----	-----	-----	-----	-----
7	Nozzle Ass'y, Check Valve	A007176	A007176	A007176	A007176	A007080	A007120	A007120
8	Shaft Ass'y, Throttle	A011197	A011197	A011197	A011197	A011111	A011111	A011111
9	Lever, Throttle	0012171	0012171	0012171	0012171	0012135	0012135	0012135
10	Spring, Throttle Return	0013020	0013020	0013020	0013020	0013044	0013044	0013044
11	Spring, Choke Return	0013067	0013067	0013067	0013067	0013041	0013067	0013067
12	Valve, Throttle	0014025	0014025	0014025	0014025	0014025	0014025	0014025
13	Diaphragm Ass'y, Metering	★● A015040	★● A015013	★● A015013	★● A015040	★● A015013	★● A015013	★● A015013
14	Diaphragm, Pump	★● 0015040	★● 0015040	★● 0015040	★● 0015040	★● 0015040	★● 0015040	★● 0015040
15	Gasket, Metering Chamber	★● 0016051	★● 0016051	★● 0016051	★● 0016051	★● 0016051	★● 0016051	★● 0016051
16	Gasket, Pump	★● 0016032	★● 0016032	★● 0016032	★● 0016032	★● 0016032	★● 0016032	★● 0016032
17	Cover Ass'y, Pump	-----	-----	-----	-----	-----	-----	-----
18	Cover, Pump	0017098	0017053	0017053	0017098	0017053	0017053	0017053
19	Valve, Inlet Needle	★ 0018004	★ 0018004	★ 0018004	★ 0018004	★ 0018004	★ 0018004	★ 0018004
20	Spring, Metering Lever	★ 0019012	★ 0019009	★ 0019009	★ 0019012	★ 0019015	★ 0019015	★ 0019015
21	Lever, Metering	★ 0020012	★ 0020012	★ 0020012	★ 0020012	★ 0020012	★ 0020012	★ 0020012
22	Pin	★ 0021001	★ 0021001	★ 0021001	★ 0021001	★ 0021001	★ 0021001	★ 0021001
23	Cover, Metering Chamber	0028033	0028033	0028033	0028033	0028012	0028033	0028033
24	Spring, Adjust Screw	0029005	0029005	0029036	0029005	0029005	0029005	0029005
25	Spring, Adjust Screw	-----	-----	-----	-----	-----	-----	-----
26	Screw, Main Mixture	0030061	0030191	0030191	0030191	0030115	0030115	0030061
27	Screw, Idle Mixture	K031109	K031145	K031145	K031145	K031109	K031109	K031109
28	Screw, Throttle Adjust	0035036	0035036	0035036	0035036	0035036	0035036	0035036
29	Piece, Friction	0036001	0036001	0036001	0036001	0036001	0036001	0036001
30	Spring, Friction	0038001	0038001	0038001	0038001	-----	-----	-----
31	Shaft Ass'y, Choke	A041101	A041098	A041101	A041101	A041077	A041077	A041077
32	Valve, Choke	0043054	0043054	0043054	0043054	0043022	0043012	0043012
33	Post	-----	-----	-----	-----	-----	-----	-----
34	Boot	0051006	-----	-----	-----	0051006	0051006	0051006
35	Collar	0052004	0052004	0052004	0052004	0052004	0052004	0052004
36	Plunger	-----	-----	-----	-----	-----	-----	-----
37	Spring (Plunger Return)	-----	-----	-----	-----	-----	-----	-----
38	Screw (Pin)	14803006	14803006	14803006	14803006	14803006	14803006	14803006
39	Screw (Throttle Valve)	156030055	156030055	156030055	156030055	156030055	156030055	156030055
40	Screw (Choke Valve)	156030045	156030045	156030045	156030045	156030045	156030045	156030045
41	Screw (Post)	-----	-----	-----	-----	-----	-----	-----
42	Screw (Metering Cover)	17203006	17203006	17203006	17203006	17203006	17203006	17203006
43	Screw (Pump Cover)	17004010	17004010	17004010	17004010	17004010	17004010	17004010
44	Screw (Throttle Lever)	17103004	17103004	17103004	17103004	17103004	17103004	17103004
45	Ball, Steel	19290030	19290030	19290030	19290030	-----	-----	-----
46	E-Ring (Throttle Shaft)	-----	-----	-----	-----	-----	-----	-----
47	E-Ring (Choke Shaft)	-----	-----	-----	-----	19500025	19500025	19500025
48	E-Ring (Post)	-----	-----	-----	-----	-----	-----	-----
49	O-Ring (Plunger)	-----	-----	-----	-----	-----	-----	-----
50	Boot (Throttle Adj. Screw)	-----	-----	-----	-----	-----	-----	-----
51	Lever, Throttle Adjust	-----	-----	-----	-----	-----	-----	-----
52	Screw (Throttle Adj Lever)	-----	-----	-----	-----	-----	-----	-----
53	Limiter, Mixture (H)	-----	0061027	0061027	0061027	-----	-----	-----
54	Limiter, Mixture (L)	-----	-----	-----	-----	-----	-----	-----
55	Washer (Limiter)	-----	0026006	0026006	0026006	-----	-----	-----
56	Retainer (Limiter)	-----	0009031	0009031	0009031	-----	-----	-----
57	Lever, Choke	0042097	0042097	0042097	0042097	-----	-----	0042113
58	Washer (Pump)	-----	-----	-----	-----	-----	-----	-----
59	Retainer (Thermostat)	-----	-----	-----	-----	-----	-----	-----
60	Washer (Retainer, Thermostat)	-----	-----	-----	-----	-----	-----	-----
61	Collar, Choke Shaft	0052001	-----	0052001	0052001	-----	-----	-----
62	Screw, Collar Choke Shaft	16403006	-----	16403006	16403006	-----	-----	-----
63	Washer, Post	-----	-----	-----	-----	-----	-----	-----

PARTS LIST

C3A/M TYPE

REF	PART NAME	C3M EL8	C3M EL8A	C3M EL8B	C3M FJ1. A	C3M FJ2. A	C3M FJ3.A-C	C3M FJ4
	Venturi	17 mm	17 mm	17 mm	17.5 mm	17.5 mm	17.5 mm	17.5 mm
★	Rebuild Kit	RB-60	RB-60	RB-60	RB-35	RB-35	RB-35	RB-35
●	Gasket & Diaphragm Kit	GND-24	GND-24	GND-24	GND-24	GND-24	GND-24	GND-24
▲	Cover Kit, Pump	-----	-----	-----	-----	-----	-----	-----
1	Strainer	★ 0004011	★ 0004011	★ 0004011	★ 0004011	★ 0004011	★ 0004011	★ 0004011
2	Strainer	-----	-----	-----	-----	-----	-----	-----
3	Strainer	-----	-----	-----	-----	-----	-----	-----
4	Plug, Welch	★ 0005004	★ 0005004	★ 0005004	★ 0005005	★ 0005005	★ 0005005	★ 0005005
5	Valve, Check	-----	-----	-----	-----	-----	-----	-----
6	Retainer, Check Valve	-----	-----	-----	-----	-----	-----	-----
7	Nozzle Ass'y, Check Valve	A007112	A007121	A007121	A007028	A007028	A007028	A007028
8	Shaft Ass'y, Throttle	A011111	A011111	A011111	A011079	A011079	A011096	A011079
9	Lever, Throttle	0012135	0012135	0012135	0012039	0012039	-----	-----
10	Spring, Throttle Return	0013044	0013044	0013044	-----	-----	0013020	-----
11	Spring, Choke Return	0013041	0013067	0013067	-----	-----	-----	-----
12	Valve, Throttle	0014025	0014025	0014025	0014030	0014030	0014030	0014030
13	Diaphragm Ass'y, Metering	★● A015013	★● A015013	★● A015013	★● A015013	★● A015013	★● A015013	★● A015013
14	Diaphragm, Pump	★● 0015040	★● 0015040	★● 0015040	★● 0015048	★● 0015048	★● 0015048	★● 0015048
15	Gasket, Metering Chamber	★● 0016051	★● 0016051	★● 0016051	★● 0016027	★● 0016027	★● 0016027	★● 0016027
16	Gasket, Pump	★● 0016032	★● 0016032	★● 0016032	★● 0016032	★● 0016032	★● 0016032	★● 0016032
17	Cover Ass'y, Pump	-----	-----	-----	A017012	A017014	A017014	A017014
18	Cover, Pump	0017053	0017053	0017053	-----	-----	-----	-----
19	Valve, Inlet Needle	★ 0018004	★ 0018004	★ 0018004	★ 0018004	★ 0018004	★ 0018004	★ 0018004
20	Spring, Metering Lever	★ 0019015	★ 0019015	★ 0019015	★ 0019002	★ 0019002	★ 0019002	★ 0019002
21	Lever, Metering	★ 0020012	★ 0020012	★ 0020012	★ 0020012	★ 0020012	★ 0020012	★ 0020012
22	Pin	★ 0021001	★ 0021001	★ 0021001	★ 0021001	★ 0021001	★ 0021001	★ 0021001
23	Cover, Metering Chamber	0028033	0028033	0028033	0028012	0028012	0028012	0028012
24	Spring, Adjust Screw	0029005	0029005	0029005	0029005	0029005	0029005	0029005
25	Spring, Adjust Screw	-----	-----	-----	-----	-----	0029005	0029005
26	Screw, Main Mixture	0030151	0030164	0030176	0030044	0030044	0030044	0030044
27	Screw, Idle Mixture	K031145	K031145	K031145	0031046	0031046	0031046	0031046
28	Screw, Throttle Adjust	0035036	0035036	0035036	0035016	0035016	16104024	0035016
29	Piece, Friction	0036001	0036001	0036001	0036001	0036001	0036001	0036001
30	Spring, Friction	-----	-----	-----	0038001	0038001	0038001	0038001
31	Shaft Ass'y, Choke	A041077	A041077	A041077	A041023	A041031	A041031	A041031
32	Valve, Choke	0043022	0043013	0043013	0043021	0043021	0043021	0043021
33	Post	-----	-----	-----	-----	-----	0045002	-----
34	Boot	-----	-----	-----	-----	-----	-----	-----
35	Collar	0052004	0052004	0052004	-----	-----	-----	-----
36	Plunger	-----	-----	-----	-----	-----	-----	-----
37	Spring (Plunger Return)	-----	-----	-----	-----	-----	-----	-----
38	Screw (Pin)	14803006	14803006	14803006	14803006	14803006	14803006	14803006
39	Screw (Throttle Valve)	156030055	156030055	156030055	156030045	156030045	156030045	156030045
40	Screw (Choke Valve)	156030045	156030045	156030045	156030045	156030045	156030045	156030045
41	Screw (Post)	-----	-----	-----	-----	-----	-----	-----
42	Screw (Metering Cover)	17203006	17203006	17203006	17203006	17203006	17203006	17203006
43	Screw (Pump Cover)	17004010	17004010	17004010	17004010	17004010	17004010	17004010
44	Screw (Throttle Lever)	17103004	17103004	17103004	17502604	17502604	-----	17502604
45	Ball, Steel	-----	-----	-----	19290030	19290030	19290030	19290030
46	E-Ring (Throttle Shaft)	-----	-----	-----	0009017	0009017	19500040	-----
47	E-Ring (Choke Shaft)	19500025	19500025	19500025	-----	-----	-----	-----
48	E-Ring (Post)	-----	-----	-----	-----	-----	19500040	-----
49	O-Ring (Plunger)	-----	-----	-----	-----	-----	-----	-----
50	Boot (Throttle Adj. Screw)	-----	-----	-----	-----	-----	-----	0009017
51	Lever, Throttle Adjust	-----	-----	-----	-----	-----	0012092	0012039
52	Screw (Throttle Adj Lever)	-----	-----	-----	-----	-----	16105006	17103004
53	Limiter, Mixture (H)	0061027	0061027	0061027	0061001	0061001	0061001	0061001
54	Limiter, Mixture (L)	-----	-----	-----	0061002	0061002	0061002	0061002
55	Washer (Limiter)	0026006	0026006	0026006	0026006	0026014	0026014	0026014
56	Retainer (Limiter)	0009031	0009031	0009031	-----	-----	-----	-----
57	Lever, Choke	0042113	0042113	0042113	-----	-----	-----	-----
58	Washer (Pump)	-----	-----	-----	-----	-----	-----	-----
59	Retainer (Thermostat)	-----	-----	-----	-----	-----	-----	-----
60	Washer (Retainer, Thermostat)	-----	-----	-----	-----	-----	-----	-----
61	Collar, Choke Shaft	-----	-----	-----	-----	-----	-----	-----
62	Screw, Collar Choke Shaft	-----	-----	-----	-----	-----	-----	-----
63	Washer, Post	-----	-----	-----	-----	-----	-----	-----

PARTS LIST

C3A/M TYPE

REF	PART NAME	C3M EJ5. A	C3M K33	C3M K33A	C3M K33B-C	C3M K33D	C3M K74	C3M K80
	Venturi	17.5 mm	15 mm	15 mm	15 mm	15 mm	15 mm	15 mm
★	Rebuild Kit	RB-35	RB-53	RB-53	RB-53	RB-53	RB-116	RB-116
●	Gasket & Diaphragm Kit	GND-24	GND-26	GND-26	GND-26	GND-26	GND-62	GND-62
▲	Cover Kit, Pump	-----	-----	-----	-----	-----	-----	-----
1	Strainer	★ 0004011	★ 0004009	★ 0004009	★ 0004009	★ 0004009	★ 0004009	★ 0004009
2	Strainer	-----	-----	-----	-----	-----	-----	-----
3	Strainer	-----	-----	-----	-----	-----	-----	-----
4	Plug, Welch	★ 0005005	★ 0005005	★ 0005005	★ 0005005	★ 0005005	★ 0005004	★ 0005004
5	Valve, Check	-----	-----	-----	-----	-----	-----	-----
6	Retainer, Check Valve	-----	-----	-----	-----	-----	-----	-----
7	Nozzle Ass'y, Check Valve	A007028	A007021	A007021	A007129	A007129	A007197	A007197
8	Shaft Ass'y, Throttle	A011096	A011087	A011087	A011087	A011203	A011203	A011203
9	Lever, Throttle	-----	-----	-----	-----	-----	-----	-----
10	Spring, Throttle Return	0013020	0013040	0013040	0013040	0013040	0013040	0013040
11	Spring, Choke Return	-----	-----	-----	-----	0013086	0013086	0013086
12	Valve, Throttle	0014030	0014030	0014030	0014030	0014030	0014030	0014030
13	Diaphragm Ass'y, Metering	★● A015013	★● A015013	★● A015013	★● A015013	★● A015013	★● A015013	★● A015013
14	Diaphragm, Pump	★● 0015048	★● 0015046	★● 0015048	★● 0015048	★● 0015048	★● 0015040	★● 0015040
15	Gasket, Metering Chamber	★● 0016027	★● 0016042	★● 0016042	★● 0016042	★● 0016042	★● 0016042	★● 0016042
16	Gasket, Pump	★● 0016032	★● 0016025	★● 0016025	★● 0016025	★● 0016025	★● 0016032	★● 0016032
17	Cover Ass'y, Pump	A017014	A017016	A017016	A017016	A017016	A017016	A017016
18	Cover, Pump	-----	-----	-----	-----	-----	-----	-----
19	Valve, Inlet Needle	★ 0018004	★ 0018004	★ 0018004	★ 0018004	★ 0018004	★ 0018004	★ 0018004
20	Spring, Metering Lever	★ 0019002	★ 0019014	★ 0019014	★ 0019014	★ 0019014	★ 0019009	★ 0019009
21	Lever, Metering	★ 0020012	★ 0020012	★ 0020012	★ 0020012	★ 0020012	★ 0020012	★ 0020012
22	Pin	★ 0021001	★ 0021001	★ 0021001	★ 0021001	★ 0021001	★ 0021001	★ 0021001
23	Cover, Metering Chamber	0028012	0028012	0028012	0028012	0028012	0028012	0028044
24	Spring, Adjust Screw	0029005	0029005	0029005	0029001	0029001	0029035	0029032
25	Spring, Adjust Screw	0029005	0038001	0038001	-----	-----	-----	-----
26	Screw, Main Mixture	0030044	0030063	0030063	0030063	0030063	0030207	0030207
27	Screw, Idle Mixture	0031046	0031062	0031062	0031062	0031062	0031210	0031210
28	Screw, Throttle Adjust	16104024	0035026	0035026	0035026	0035026	0035075	0035075
29	Piece, Friction	0036001	0036001	0036001	0036001	0036001	0036001	0036001
30	Spring, Friction	0038001	-----	-----	0038001	0038001	0038001	0038001
31	Shaft Ass'y, Choke	A041031	A041036	A041036	A041036	A041096	A041096	A041096
32	Valve, Choke	0043021	0043009	0043009	0043009	0043009	0043009	0043009
33	Post	0045012	0045004	0045004	0045004	0045043	0045043	0045043
34	Boot	-----	0051005	0051005	0051005	0051005	-----	-----
35	Collar	-----	-----	-----	-----	-----	-----	-----
36	Plunger	-----	-----	-----	-----	-----	-----	-----
37	Spring (Plunger Return)	-----	-----	-----	-----	-----	-----	-----
38	Screw (Pin)	14803006	14803006	14803006	14803006	14803006	14803006	14803006
39	Screw (Throttle Valve)	156030045	156030045	156030045	156030045	156030045	156030045	156030045
40	Screw (Choke Valve)	156030045	156030045	156030045	-----	-----	-----	-----
41	Screw (Post)	-----	-----	-----	-----	-----	-----	-----
42	Screw (Metering Cover)	17203006	17203006	17203006	17203006	17203006	17203006	17203006
43	Screw (Pump Cover)	17004010	17004010	17004010	17004010	17004010	17004010	17004010
44	Screw (Throttle Lever)	-----	-----	-----	-----	-----	-----	-----
45	Ball, Steel	19290030	19290030	19290030	19290030	19290030	19290030	19290030
46	E-Ring (Throttle Shaft)	19500040	19500030	19500030	-----	-----	19500030	19500030
47	E-Ring (Choke Shaft)	-----	-----	-----	19500030	19500030	-----	-----
48	E-Ring (Post)	19500040	19500040	19500040	19500040	19500040	19500040	19500040
49	O-Ring (Plunger)	-----	-----	-----	-----	-----	-----	-----
50	Boot (Throttle Adj. Screw)	-----	0051004	0051004	0051004	0051004	0051027	0051027
51	Lever, Throttle Adjust	0012092	-----	-----	-----	-----	-----	-----
52	Screw (Throttle Adj Lever)	16105006	-----	-----	-----	-----	-----	-----
53	Limit, Mixture (H)	0061001	-----	-----	-----	-----	0061025	0061025
54	Limit, Mixture (L)	0061002	-----	-----	-----	-----	0061026	0061026
55	Washer (Limit)	0026014	-----	-----	-----	-----	-----	-----
56	Retainer (Limit)	-----	-----	-----	-----	-----	0009028	0009028
57	Lever, Choke	-----	-----	-----	-----	-----	-----	-----
58	Washer (Pump)	-----	-----	-----	-----	-----	0026014	0026014
59	Retainer (Thermostat)	-----	-----	-----	-----	-----	-----	-----
60	Washer (Retainer, Thermostat)	-----	-----	-----	-----	-----	-----	-----
61	Collar, Choke Shaft	-----	-----	-----	-----	-----	-----	-----
62	Screw, Collar Choke Shaft	-----	-----	-----	-----	-----	-----	-----
63	Washer, Post	-----	-----	-----	-----	0026037	0026037	0026037

PARTS LIST

C3A/M TYPE

REF	PART NAME	C3M S5	C3M SSA - C	C3M SSD. E	C3M SSG	C3M S12A	C3M S12B	C3M S20
	Venturi	17 mm	17 mm	17 mm	17 mm	17 mm	17 mm	17 mm
★	Rebuild Kit	RB-37	RB-37	RB-36	RB-36	RB-36	RB-36	RB-36
●	Gasket & Diaphragm Kit	★ GND-26	★ GND-26	★ GND-25	★ GND-25	★ GND-25	★ GND-25	★ GND-25
▲	Cover Kit, Pump	-----	-----	-----	-----	-----	-----	-----
1	Strainer	★ 0004011	★ 0004011	★ 0004011	★ 0004011	★ 0004011	★ 0004011	★ 0004011
2	Strainer	-----	-----	-----	-----	-----	-----	-----
3	Strainer	-----	-----	-----	-----	-----	-----	-----
4	Plug, Welch	★ 0005005	★ 0005005	★ 0005005	★ 0005005	★ 0005005	★ 0005005	★ 0005005
5	Valve, Check	-----	-----	-----	-----	-----	-----	-----
6	Retainer, Check Valve	-----	-----	-----	-----	-----	-----	-----
7	Nozzle Ass'y, Check Valve	A007027	A007027	A007027	A007027	A007027	A007027	A007056
8	Shaft Ass'y, Throttle	A011037	A011037	A011037	A011037	A011062	A011062	A011084
9	Lever, Throttle	-----	-----	-----	-----	-----	-----	-----
10	Spring, Throttle Return	0013020	0013020	0013020	0013020	0013037	0013031	0013020
11	Spring, Choke Return	0013021	0013021	0013021	0013021	0013032	0013032	0013021
12	Valve, Throttle	0014019	0014025	0014025	0014025	0014025	0014025	0014025
13	Diaphragm Ass'y, Metering	●● A015013	●● A015013	●● A015013	●● A015013	●● A015013	●● A015013	●● A015013
14	Diaphragm, Pump	●● 0015046	●● 0015046	●● 0015048	●● 0015048	●● 0015048	●● 0015048	●● 0015048
15	Gasket, Metering Chamber	●● 0016042	●● 0016042	●● 0016042	●● 0016042	●● 0016042	●● 0016042	●● 0016042
16	Gasket, Pump	●● 0016025	●● 0016025	●● 0016032	●● 0016032	●● 0016032	●● 0016032	●● 0016032
17	Cover Ass'y, Pump	A017008	A017008	A017008	A017008	A017008	A017008	A017008
18	Cover, Pump	-----	-----	-----	-----	-----	-----	-----
19	Valve, Inlet Needle	★ 0018004	★ 0018004	★ 0018004	★ 0018004	★ 0018004	★ 0018004	★ 0018004
20	Spring, Metering Lever	★ 0019012	★ 0019012	★ 0019012	★ 0019012	★ 0019012	★ 0019012	★ 0019012
21	Lever, Metering	★ 0020012	★ 0020012	★ 0020012	★ 0020012	★ 0020012	★ 0020012	★ 0020012
22	Pin	★ 0021001	★ 0021001	★ 0021001	★ 0021001	★ 0021001	★ 0021001	★ 0021001
23	Cover, Metering Chamber	0028012	0028012	0028018	0028019	0028018	0028019	0028019
24	Spring, Adjust Screw	0029005	0029005	0029005	0029005	0029005	0029005	0029005
25	Spring, Adjust Screw	-----	-----	-----	-----	-----	-----	-----
26	Screw, Main Mixture	0030027	0030026	0030026	0030026	0030026	0030026	0030058
27	Screw, Idle Mixture	0031027	0031032	0031032	0031032	0031032	0031032	0031061
28	Screw, Throttle Adjust	0035014	0035014	0035014	0035014	0035014	0035014	0035014
29	Piece, Friction	0036002	0036002	0036001	0036001	0036001	0036002	0036001
30	Spring, Friction	-----	-----	-----	-----	-----	-----	-----
31	Shaft Ass'y, Choke	A041012	A041012	-----	-----	A041022	A041022	-----
32	Valve, Choke	0043012	0043012	0043022	0043022	0043022	0043022	0043022
33	Post	-----	-----	-----	-----	-----	-----	-----
34	Boot	-----	-----	-----	-----	-----	-----	-----
35	Collar	-----	-----	-----	-----	-----	-----	-----
36	Plunger	-----	-----	-----	-----	-----	-----	-----
37	Spring (Plunger Return)	-----	-----	-----	-----	-----	-----	-----
38	Screw (Pin)	14803006	14803006	14803006	14803006	14803006	14803006	14803006
39	Screw (Throttle Valve)	156030055	156030055	156030055	156030055	156030055	156030055	156030045
40	Screw (Choke Valve)	156030045	156030045	156030045	156030045	156030045	156030045	156030045
41	Screw (Post)	-----	-----	-----	-----	-----	-----	-----
42	Screw (Metering Cover)	17103007	17103007	17103007	17103007	17103007	17103007	17103007
43	Screw (Pump Cover)	17004010	17004010	17004010	17004010	17004010	17004010	17004010
44	Screw (Throttle Lever)	-----	-----	-----	-----	-----	-----	-----
45	Ball, Steel	-----	-----	-----	-----	-----	-----	-----
46	E-Ring (Throttle Shaft)	19500030	19500030	19500030	19500030	19500030	19500030	19500030
47	E-Ring (Choke Shaft)	19500025	19500025	19500024	19500024	19500025	19500024	19500024
48	E-Ring (Post)	-----	-----	-----	-----	-----	-----	-----
49	O-Ring (Plunger)	-----	-----	-----	-----	-----	-----	-----
50	Boot (Throttle Adj. Screw)	-----	-----	-----	-----	-----	-----	-----
51	Lever, Throttle Adjust	-----	-----	-----	-----	-----	-----	-----
52	Screw (Throttle Adj Lever)	-----	-----	-----	-----	-----	-----	-----
53	Limiter, Mixture (H)	-----	-----	-----	-----	-----	-----	-----
54	Limiter, Mixture (L)	-----	-----	-----	-----	-----	-----	-----
55	Washer (Limiter)	-----	-----	-----	-----	-----	-----	-----
56	Retainer (Limiter)	-----	-----	-----	-----	-----	-----	-----
57	Lever, Choke	-----	-----	-----	-----	-----	-----	-----
58	Washer (Pump)	-----	-----	-----	-----	-----	-----	-----
59	Retainer (Thermostat)	-----	-----	-----	-----	-----	-----	-----
60	Washer (Retainer, Thermostat)	-----	-----	-----	-----	-----	-----	-----
61	Collar, Choke Shaft	-----	-----	-----	-----	-----	-----	-----
62	Screw, Collar Choke Shaft	-----	-----	-----	-----	-----	-----	-----
63	Washer, Post	-----	-----	-----	-----	-----	-----	-----

PARTS LIST

C3A/M TYPE

REF	PART NAME	C3M S21	C3M S22	C3M S23	C3M S24
	Venturi	17 mm	17 mm	17 mm	17 mm
★	Rebuild Kit	RB-36	RB-36	RB-36	RB-36
●	Gasket & Diaphragm Kit	★ GND-25	★ GND-25	★ GND-25	★ GND-25
▲	Cover Kit, Pump	-----	-----	-----	-----
1	Strainer	★ 0004011	★ 0004011	★ 0004011	★ 0004011
2	Strainer	-----	-----	-----	-----
3	Strainer	-----	-----	-----	-----
4	Plug, Welch	★ 0005005	★ 0005005	★ 0005005	★ 0005005
5	Valve, Check	-----	-----	-----	-----
6	Retainer, Check Valve	-----	-----	-----	-----
7	Nozzle Ass'y, Check Valve	A007056	A007056	A007027	A007027
8	Shaft Ass'y, Throttle	A011085	A011084	A011037	A011037
9	Lever, Throttle	-----	-----	-----	-----
10	Spring, Throttle Return	0013031	0013020	0013020	0013020
11	Spring, Choke Return	0013037	0013021	0013021	0013021
12	Valve, Throttle	0014025	0014025	0014025	0014025
13	Diaphragm Ass'y, Metering	●● A015013	●● A015013	●● A015013	●● A015013
14	Diaphragm, Pump	●● 0015048	●● 0015048	●● 0015048	●● 0015048
15	Gasket, Metering Chamber	●● 0016042	●● 0016042	●● 0016042	●● 0016042
16	Gasket, Pump	●● 0016032	●● 0016032	●● 0016032	●● 0016032
17	Cover Ass'y, Pump	A017008	A017015	A017015	A017015
18	Cover, Pump	-----	-----	-----	-----
19	Valve, Inlet Needle	★ 0018004	★ 0018004	★ 0018004	★ 0018004
20	Spring, Metering Lever	★ 0019012	★ 0019012	★ 0019012	★ 0019012
21	Lever, Metering	★ 0020012	★ 0020012	★ 0020012	★ 0020012
22	Pin	★ 0021001	★ 0021001	★ 0021001	★ 0021001
23	Cover, Metering Chamber	0028019	0028019	0028019	0028019
24	Spring, Adjust Screw	0029005	0029005	0029005	0029005
25	Spring, Adjust Screw	-----	-----	-----	-----
26	Screw, Main Mixture	0030058	0030058	0030026	0030026
27	Screw, Idle Mixture	0031061	0031061	0031032	0031032
28	Screw, Throttle Adjust	0035014	0035014	0035014	0035014
29	Piece, Friction	0036001	0036001	0036001	0036001
30	Spring, Friction	-----	-----	-----	-----
31	Shaft Ass'y, Choke	A041035	-----	-----	-----
32	Valve, Choke	0043022	0043022	0043022	0043022
33	Post	-----	-----	-----	-----
34	Boot	-----	-----	-----	-----
35	Collar	-----	-----	-----	-----
36	Plunger	-----	-----	-----	-----
37	Spring (Plunger Return)	-----	-----	-----	-----
38	Screw (Pin)	14803006	14803006	14803006	14803006
39	Screw (Throttle Valve)	156030045	156030045	156030055	156030055
40	Screw (Choke Valve)	156030045	156030045	156030045	156030045
41	Screw (Post)	-----	-----	-----	-----
42	Screw (Metering Cover)	17103007	17103007	17103007	17103007
43	Screw (Pump Cover)	17004010	17104012	17104012	17104012
44	Screw (Throttle Lever)	-----	-----	-----	-----
45	Ball, Steel	-----	-----	-----	-----
46	E-Ring (Throttle Shaft)	19500030	19500030	19500030	19500030
47	E-Ring (Choke Shaft)	19500024	19500024	19500024	19500024
48	E-Ring (Post)	-----	-----	-----	-----
49	O-Ring (Plunger)	-----	-----	-----	-----
50	Boot (Throttle Adj. Screw)	-----	-----	-----	-----
51	Lever, Throttle Adjust	-----	-----	-----	-----
52	Screw (Throttle Adj Lever)	-----	-----	-----	-----
53	Limiter, Mixture (H)	-----	-----	-----	-----
54	Limiter, Mixture (L)	-----	-----	-----	-----
55	Washer (Limiter)	-----	-----	-----	-----
56	Retainer (Limiter)	-----	-----	-----	-----
57	Lever, Choke	-----	-----	-----	-----
58	Washer (Pump)	-----	-----	-----	-----
59	Retainer (Thermostat)	-----	-----	-----	-----
60	Washer (Retainer, Thermostat)	-----	-----	-----	-----
61	Collar, Choke Shaft	-----	-----	-----	-----
62	Screw, Collar Choke Shaft	-----	-----	-----	-----
63	Washer, Post	-----	-----	-----	-----

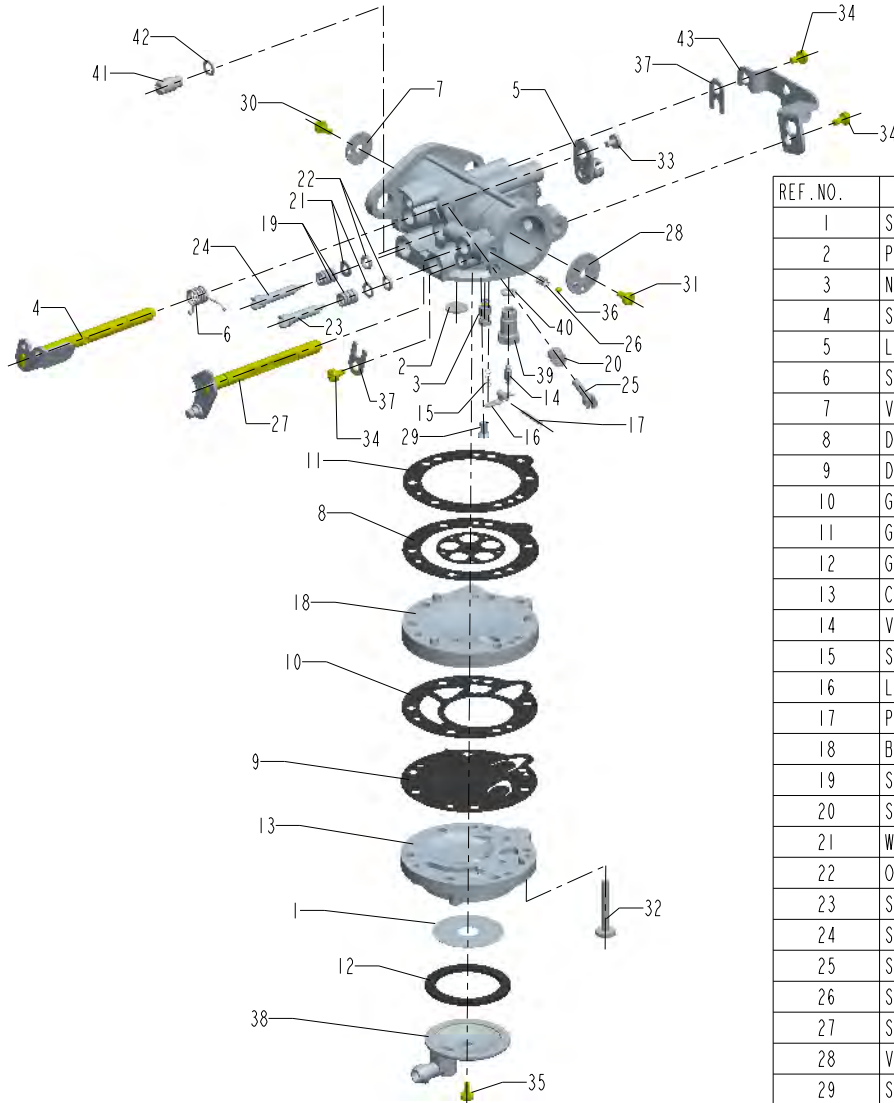
PARTS LIST



LA/LB/LE TYPE

LA/LB TYPE

* THIS ILLUSTRATION DOES NOT REPRESENT EVERY MODEL. THIS IS INTENDED FOR A GENERIC REFERENCE ONLY.



REF. NO.	PART NAME
1	STRAINER
2	PLUG, WELCH
3	NOZZLE ASSEMBLY, CHECK VALVE
4	SHAFT ASSEMBLY , THROTTLE
5	LEVER ASSEMBLY, THROTTLE
6	SPRING, THROTTLE RETURN
7	VALVE, THROTTLE
8	DIAPHRAGM ASSEMBLY, METERING
9	DIAPHRAGM, PUMP
10	GASKET, PUMP
11	GASKET, METERING CHAMBER
12	GASKET, STRAINER
13	COVER, PUMP
14	VALVE, INLET NEEDLE
15	SPRING, METERING LEVER
16	LEVER, METERING
17	PIN
18	BODY, PUMP
19	SPRING, ADJUST SCREW
20	SPRING, ADJUST SCREW
21	WASHER (L.H. NEEDLE)
22	O-RING (L.H. NEEDLE)
23	SCREW, MAIN MIXTURE
24	SCREW, IDLE MIXTURE
25	SCREW, THROTTLE ADJUST
26	SPRING, FRICTION
27	SHAFT ASSEMBLY, CHOKE
28	VALVE, CHOKE
29	SCREW, (PIN)
30	SCREW (THROTTLE VALVE)
31	SCREW (CHOKE VALVE)
32	SCREW (PUMP COVER)
33	SCREW (THROTTLE, CHOKE LEVER)
34	SCREW
35	SCREW (PLASTIC COVER)
36	BALL, STEEL
37	RETAINER, SHAFT
38	COVER, PLASTIC
39	SEAT, INLET
40	WASHER (SEAT)
41	GOVERNOR ASSEMBLY
42	WASHER (GOVERNOR)
43	HOLDER, WIRE

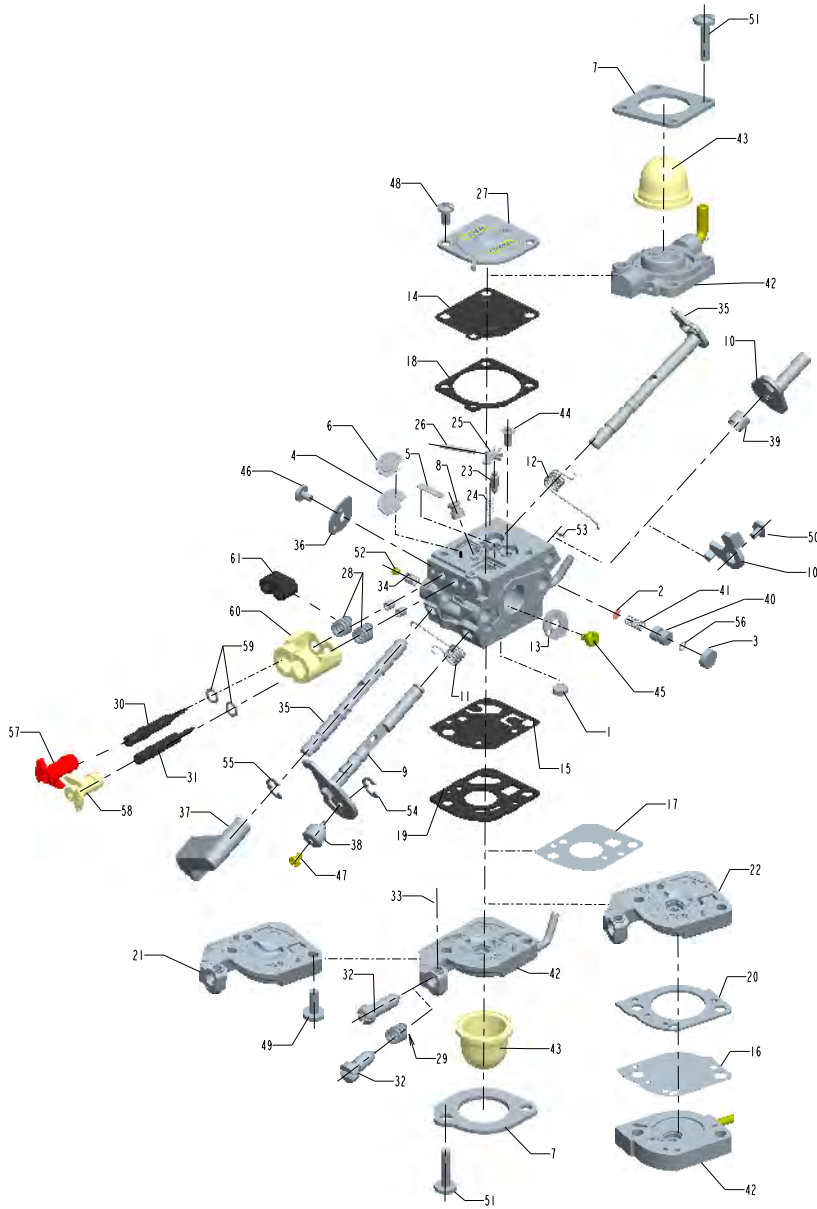
PARTS LIST

LA/LB TYPE

REF	PART NAME	LA S6, A	LA S7, A	LA S8, A	LB S9, A	LA S168
	Venturi	16 mm	16 mm	16 mm	20.6 mm	16 mm
★	Rebuild Kit	RB-42	RB-42	RB-42	RB-42	RB-42
●	Gasket & Diaphragm Kit	GND-30	GND-30	GND-30	GND-30	GND-30
1	Strainer	★ 0004010	★ 0004010	★ 0004010	★ 0004010	★ 0004010
2	Plug, Welch	★ 0005008	★ 0005008	★ 0005008	★ 0005008	★ 0005008
3	Nozzle Ass'y, Check Valve	A007013	A007013	A007036	A007011	A007269
4	Shaft Ass'y, Throttle	A011045	A011045	A011045	A011058	A011045
5	Lever Ass'y, Throttle	A012001	A012002	A012001	-----	K012015
6	Spring, Throttle Return	0013023	0013023	0013023	0013023	0013023
7	Valve, Throttle	0014023	0014023	0014023	0014028	0014023
8	Diaphragm Ass'y, Metering	★● A015015	★● A015015	★● A015015	★● A015015	★● A015015
9	Diaphragm, Pump	★● 0015041	★● 0015041	★● 0015041	★● 0015041	★● 0015041
10	Gasket, Pump	★● 0016037	★● 0016037	★● 0016037	★● 0016037	★● 0016037
11	Gasket, Metering Chamber	★● 0016041	★● 0016041	★● 0016041	★● 0016041	★● 0016041
12	Gasket, Strainer	0016031	0016031	0016031	0016031	0016031
13	Cover, Pump	0017024	0017024	0017075	0017049	0017024
14	Valve, Inlet Needle	★ 0018002	★ 0018002	★ 0018002	★ 0018002	★ 0018002
15	Spring, Metering Lever	★ 0019013	★ 0019013	★ 0019013	★ 0019013	★ 0019013
16	Lever, Metering	★ 0020011	★ 0020011	★ 0020011	★ 0020011	★ 0020011
17	Pin	★ 0021007	★ 0021007	★ 0021007	★ 0021007	★ 0021007
18	Body, Pump	0049002	0049002	0049002	0049003	0049002
19	Spring, Adjust Screw	0029005	0029005	0029005	0029005	0029005
20	Spring, Adjust Screw	0029004	0029004	0029004	0029004	0029004
21	Washer (L.H. Needle)	0026005	0026005	0026005	0026005	0026005
22	O-Ring (L.H. Needle)	195503515	195503515	195503515	195503515	195503515
23	Screw, Main Mixture	0030055	0030055	0030055	0030038	0030270
24	Screw, Idle Mixture	0031031	0031031	0031031	0031031	0031264
25	Screw, Throttle Adjust	0035017	0035017	0035017	0035017	0035017
26	Spring, Friction	-----	0038002	-----	-----	0038002
27	Shaft Ass'y, Choke	0041015	0041015	0041015	A041020	0041015
28	Valve, Choke	0043014	0043014	0043014	0043017	0043014
29	Screw (Pin)	14803006	14803006	14803006	14803006	14803006
30	Screw (Throttle Valve)	156030055	156030055	156030055	156030055	156030055
31	Screw (Choke Valve)	156030055	156030055	156030055	156030055	156030055
32	Screw (Pump Cover)	17103519	17103519	17103519	16303520	16303520
33	Screw (Throttle, Choke Lever)	17103004	17103004	17103004	17103004	17303004
34	Screw	16304008	16304008	16304008	16304008	16304008
35	Screw (Plastic Cover)	0058001	0058001	0058001	0058001	0058001
36	Ball, Steel	-----	19290040	-----	-----	19290040
37	Retainer, Shaft	0009017	0009017	0009017	0009017	0009017
38	Cover, Plastic	0017023	0017023	0017023	0017023	0017023
39	Seat, Inlet	0002025	0002025	0002025	0002025	0002025
40	Washer (Seat)	0026003	0026003	0026003	0026003	0026003
41	Governor Ass'y	A059001	A059002	-----	-----	A059002
42	Washer (Governor)	0026003	0026003	-----	-----	-----
43	Holder, Wire	-----	0060001	-----	-----	0060001

LE TYPE

* THIS ILLUSTRATION DOES NOT REPRESENT EVERY MODEL. THIS IS INTENDED FOR A GENERIC REFERENCE ONLY.



REF. NO.	PART NAME
1	STRAINER
2	STRAINER
3	STRAINER
4	STRAINER (SCREEN PICK-UP)
5	PLUG, WELCH
6	PLUG, WELCH
7	RETAINER, SYRINGE
8	NOZZLE ASSY, CHECK VALVE
9	SHAFT ASS'Y, THROTTLE
10	LEVER, THROTTLE
11	SPRING, THROTTLE RETURN
12	SPRING, CHOKE RETURN
13	VALVE, THROTTLE
14	DIAPHRAGM ASS'Y, METERING
15	DIAPHRAGM, PUMP
16	DIAPHRAGM, START PUMP
17	DIAPHRAGM, SURGE
18	GASKET, METERING CHAMBER
19	GASKET, PUMP
20	GASKET, START PUMP
21	COVER, PUMP
22	START PUMP BODY KIT
23	VALVE, INLET NEEDLE
24	SPRING, METERING LEVER
25	LEVER, METERING
26	PIN
27	COVER, METERING CHAMBER
28	SPRING, ADJUST SCREW
29	SPRING, ADJUST SCREW
30	SCREW, MAIN MIXTURE
31	SCREW, IDLE MIXTURE
32	SCREW, THROTTLE ADJUST
33	PIECE, FRICTION
34	SPRING, FRICTION
35	SHAFT ASS'Y, CHOKE
36	VALVE, CHOKE
37	LEVER, CHOKE
38	POST
39	COLLAR
40	PLUNGER
41	SPRING (PLUNGER RETURN)
42	BASE ASS'Y, PRIMER
43	SYRINGE
44	SCREW (PIN)
45	SCREW (THROTTLE VALVE)
46	SCREW (CHOKE VALVE)
47	SCREW (POST)
48	SCREW (METERING COVER)
49	SCREW (PUMP COVER)
50	SCREW (THROTTLE LEVER)
51	SCREW (RETAINER)
52	BALL, STEEL
53	E-RING (THROTTLE SHAFT)
54	E-RING (POST)
55	E-RING (CHOKE)
56	O-RING (PLUNGER)
57	LIMITER, MIXTURE (H)
58	LIMITER, MIXTURE (L)
59	WASHER (LIMITER)
60	RETAINER (LIMITER)
61	BOOT

PARTS LIST

LE TYPE

REF	PART NAME	LE H53	LE H54. A	LE H55	LE H56
	Venturi	9 mm	9 mm	9 mm	9 mm
★	Rebuild Kit	RB-86	RB-86	RB-94	RB-94
●	Gasket & Diaphragm Kit	★ GND-18	★ GND-49	★ GND-12	★ GND-12
▲	Cover Kit, Pump	-----	-----	K017037	-----
■	Base Kit, Primer	K056029	-----	-----	-----
→	Start Pump Kit	-----	K049002	-----	-----
1	Strainer	★ 0004004	★ 0004004	★ 0004004	★ 0004004
2	Strainer	-----	-----	-----	-----
3	Strainer	-----	-----	-----	-----
4	Strainer (Screen Pick-up)	0004034	0004034	-----	-----
5	Plug, Welch	★ 0005004	★ 0005004	★ 0005004	★ 0005004
6	Plug, Welch	0005039	0005039	-----	-----
7	Retainer, Syringe	0009015	0009015	0009065	0009065
8	Nozzle Ass'y, Check Valve	-----	-----	-----	-----
9	Shaft Ass'y, Throttle	K011023	K011025	K011024	K011026
10	Lever, Throttle	-----	0012154	A012028	-----
11	Spring, Throttle Return	0013035	0013035	0013035	0013075
12	Spring, Choke Return	-----	0013068	-----	-----
13	Valve, Throttle	0014049	0014049	0014088	0014094
14	Diaphragm Ass'y, Metering	●● A015010	●● A015010	●● A015011	●● A015011
15	Diaphragm, Pump	●● 0015051	●● 0015059	●● 0015051	●● 0015051
16	Diaphragm, Start Pump	-----	●● 0015060	-----	-----
17	Diaphragm, Surge	-----	-----	-----	-----
18	Gasket, Metering Chamber	●● 0016019	●● 0016019	●● 0016021	●● 0016021
19	Gasket, Pump	●● 0016046	●● 0016049	●● 0016046	●● 0016046
20	Gasket, Start Pump	-----	●● 0016050	-----	-----
21	Cover, Pump	-----	-----	▲ 0017046	0017079
22	Start Pump Body Ass'y	-----	+	-----	-----
23	Valve, Inlet Needle	★ 0018004	★ 0018004	★ 0018004	★ 0018004
24	Spring, Metering Lever	★ 0019006	★ 0019006	★ 0019014	★ 0019014
25	Lever, Metering	★ 0020012	★ 0020012	★ 0020012	★ 0020012
26	Pin	★ 0021001	★ 0021001	★ 0021001	★ 0021001
27	Cover, Metering Chamber	0028022	0028022	-----	-----
28	Spring, Adjust Screw	-----	-----	-----	-----
29	Spring, Adjust Screw	-----	-----	-----	-----
30	Screw, Main Mixture	0030179	0030179	0030179	0030179
31	Screw, Idle Mixture	0031180	0031180	0031175	0031175
32	Screw, Throttle Adjust	■ 0035033	+	▲ 0035033	-----
33	Piece, Friction	■ 0036001	+	▲ 0036001	-----
34	Spring, Friction	0038001	-----	0038001	0038001
35	Shaft Ass'y, Choke	0041095	A041085	0041096	0041096
36	Valve, Choke	0043015	-----	0043015	0043015
37	Lever, Choke	0042090	0042089	0042084	0042084
38	Post	-----	-----	-----	0045003
39	Collar	-----	0052006	0052006	-----
40	Plunger	-----	-----	-----	-----
41	Spring (Plunger Return)	-----	-----	-----	-----
42	Base Ass'y, Primer	■ A056050	A056058	A056074	A056074
43	Syringe	0057004	0057004	0057004	0057004
44	Screw (Pin)	14903006	14903006	14903006	14903006
45	Screw (Throttle Valve)	15603004	15603004	15603004	15603004
46	Screw (Choke Valve)	156030045	-----	156030045	156030045
47	Screw (Post)	-----	-----	-----	16103005
48	Screw (Metering Cover)	17203006	17203006	-----	-----
49	Screw (Pump Cover)	-----	-----	17104010	17104010
50	Screw (Throttle Lever)	-----	17103004	17103004	-----
51	Screw (Retainer)	17104015	17104023	17203012	17203012
52	Ball, Steel	19290030	-----	19290030	19290030
53	E-Ring (Throttle Shaft)	19500030	-----	-----	19500030
54	E-Ring (Post)	-----	-----	-----	19500020
55	E-Ring (Choke Shaft)	-----	19500030	-----	-----
56	O-Ring (Plunger)	-----	-----	-----	-----
57	Limiter, Mixture (H)	0061025	0061025	0061025	0061025
58	Limiter, Mixture (L)	0061026	0061026	0061026	0061026
59	Washer (Limiter)	0026014	0026014	0026014	0026014
60	Retainer (Limiter)	0009028	0009028	0009028	0009028
61	Boot	0051027	0051027	0051027	0051027

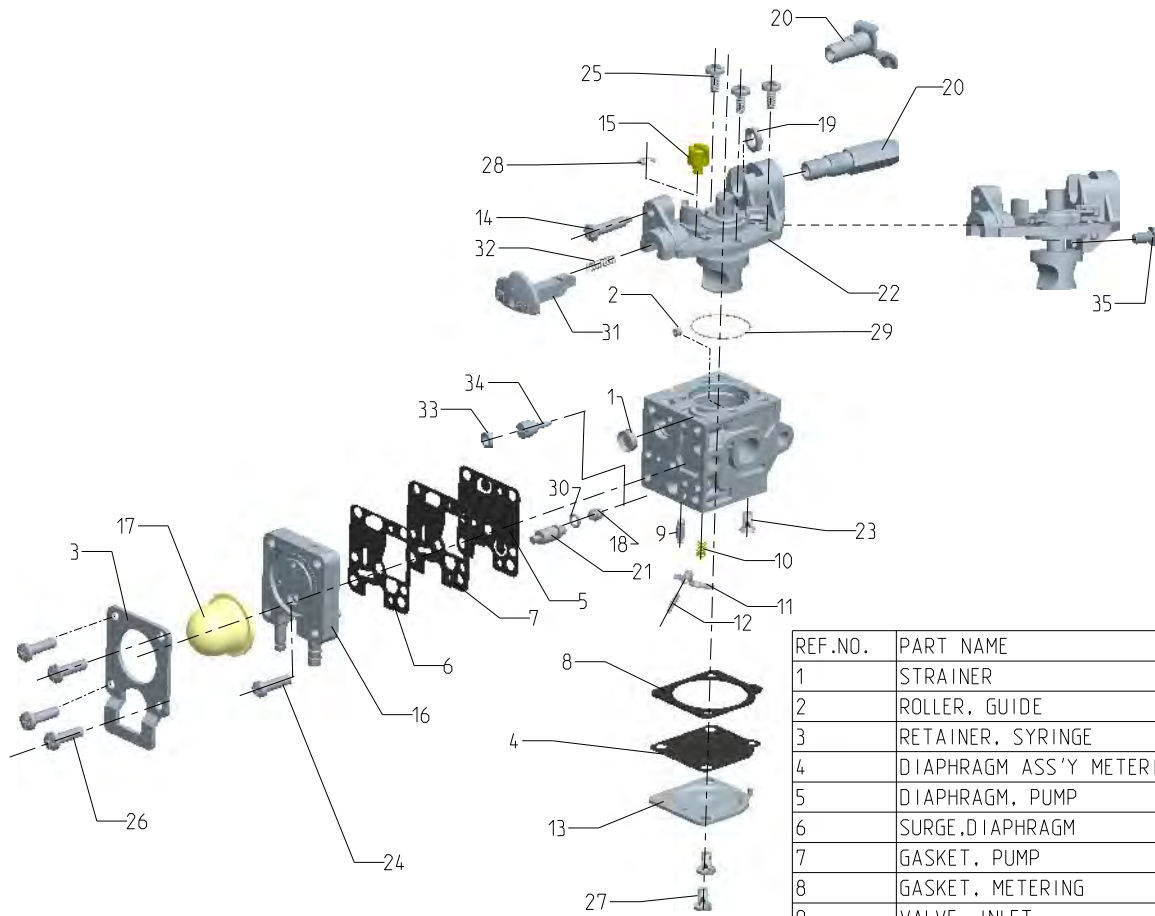
PARTS LIST



**RB TYPE
(Rotary)**

RB TYPE

* THIS ILLUSTRATION DOES NOT REPRESENT EVERY MODEL. THIS IS INTENDED FOR A GENERIC REFERENCE ONLY.



REF.NO.	PART NAME
1	STRAINER
2	ROLLER, GUIDE
3	RETAINER, SYRINGE
4	DIAPHRAGM ASS'Y METERING
5	DIAPHRAGM, PUMP
6	SURGE,DIAPHRAGM
7	GASKET, PUMP
8	GASKET, METERING
9	VALVE, INLET
10	SPRING, METERING
11	LEVER, METERING
12	PIN
13	COVER, METERING
14	TAS
15	POST
16	BASE, ASS'Y PRIMER
17	SYRINGE
18	JET, REMOTE
19	NUT, CABLE
20	SCREW, WIRE ADJUST
21	PLUG, JET
22	COVER ASS'Y, ROTOR
23	SCREW (PIN)
24	SCREW (BASE ASS'Y PRIMER)
25	SCREW (ROTOR COVER)
26	SCREW (SYRINGE RETAINER)
27	SCREW (METERING COVER)
28	E-RING (POST)
29	O-RING (ROTOR COVER)
30	O-RING (PLUG JET)
31	ROD STARTER
32	SPRING (ROD STARTER)
33	RETAINER, PLUG BALL
34	ADJUST SCREW MAIN MIXTURE
35	SCREW

PARTS LIST

RB TYPE

REF	PART NAME	RB FR2.A	RB FR3.A	RB FR4	RB K57.A-B	RB K60.A	RB K61.A	RB K63
	Venturi	9 mm	9 mm	9 mm	9 mm	9 mm	9 mm	9 mm
★	Rebuild Kit	RB-102	RB-103	RB-102	RB-81	RB-88	RB-88	RB-81
●	Gasket & Diaphragm Kit	GND-52	GND-52	GND-52	GND-48	GND-52	GND-52	GND-48
*	Plug Kit, Jet	K005001	K005001	K005001	K005001	K005001	K005001	K005001
1	Strainer	★ 0004033	★ 0004033	★ 0004033	★ 0004033	★ 0004033	★ 0004033	★ 0004033
2	Roller, Guide	0082003	0082003	0082003	★ 0082001	★ 0082001	★ 0082001	★ 0082001
3	Retainer, Syringe	0009082	0009082	0009082	0009063	0009063	0009063	0009063
4	Diaphragm Ass'y, Metering	★● A015010	★● A015010	★● A015010	★● A015010	★● A015010	★● A015010	★● A015010
5	Diaphragm, Pump	★● 0015086	★● 0015086	★● 0015086	★● 0015083	★● 0015086	★● 0015086	★● 0015083
6	Diaphragm, Surge	-----	-----	-----	★● 0015084	-----	-----	★● 0015084
7	Gasket, Pump	★● 0016079	★● 0016079	★● 0016079	★● 0016075	★● 0016079	★● 0016079	★● 0016075
8	Gasket, Metering Chamber	★● 0016076	★● 0016076	★● 0016076	★● 0016076	★● 0016076	★● 0016076	★● 0016076
9	Valve, Inlet Needle	★ 0018004	★ 0018004	★ 0018004	★ 0018004	★ 0018004	★ 0018004	★ 0018004
10	Spring, Metering Lever	★ 0019002	★ 0019009	★ 0019002	★ 0019005	★ 0019005	★ 0019005	★ 0019005
11	Lever, Metering	★ 0020012	★ 0020012	★ 0020012	★ 0020012	★ 0020012	★ 0020012	★ 0020012
12	Pin	★ 0021001	★ 0021001	★ 0021001	★ 0021001	★ 0021001	★ 0021001	★ 0021001
13	Cover, Metering Chamber	0028015	0028015	0028015	0028015	0028015	0028015	0028015
14	Screw, Throttle Adjust	0035067	0035067	0035067	0035067	0035067	0035067	0035067
15	Post	0045040	0045040	0045040	0045038	0045038	0045038	0045038
16	Base Ass'y, Primer	A056099	A056099	A056099	A056056	A056099	A056099	A056056
17	Syringe	0057004	0057004	0057003	0057004	0057004	0057004	0057004
18	Remote Jet	0070077	0070077	0070077	0070039	0070042	0070040	0070070
19	Nut, Cable	-----	-----	-----	0077001	0077001	0077001	0077001
20	Screw, Wire Adjust	0080006	0080006	0080006	0080002	0080002	0080002	0080002
21	Plug, Jet	*	*	*	*	*	*	*
22	Cover Ass'y, Rotor	A078007	A078008	A078009	A078001	A078001	A078001	A078001
23	Screw (Pin)	14903006	14903006	14903006	14903006	14903006	14903006	14903006
24	Screw (Base Ass'y, Primer)	16103012	16103012	16103012	16103012	16103012	16103012	16103012
25	Screw (Rotor Cover)	17103007	17103007	17103007	17103007	17103007	17103007	17103007
26	Screw (Syringe Retainer)	17103015	17103015	17103015	17103015	17103015	17103015	17103015
27	Screw (Metering Cover)	17203006	17203006	17203006	17203006	17203006	17203006	17203006
28	E-Ring (Post)	19500025	19500025	19500025	19500025	19500025	19500025	19500025
29	O-Ring (Rotor Cover)	195519005	195519005	195519005	195519005	195519005	195519005	195519005
30	O-Ring (Plug, Jet)	*	*	*	*	*	*	*
31	Rod Starter	0089002	0089002	0089002	-----	-----	-----	-----
32	Spring	0054059	0054059	0054059	-----	-----	-----	-----
33	Retainer, Plug Ball	-----	-----	-----	-----	-----	-----	-----
34	Adjust Screw, Main Mixture	-----	-----	-----	-----	-----	-----	-----
35	Screw	-----	-----	-----	-----	-----	-----	-----

PARTS LIST

RB TYPE

REF	PART NAME	RB K65.A	RB K66A.B	RB K67A.B	RB K70.A	RB K71	RB K72	RB K75
	Venturi	10.5 mm	9 mm	10.5 mm	9 mm	10.5 mm	10.5 mm	9 mm
★	Rebuild Kit	RB-112	RB-107	RB-107	RB-107	RB-107	RB-107	RB-123
●	Gasket & Diaphragm Kit	GND-52	GND-52	GND-52	GND-52	GND-52	GND-52	GND-66
*	Plug Kit, Jet	K005001	K005001	K005001				
1	Strainer	★ 0004033	★ 0004033	★ 0004033	★ 0004033	★ 0004033	★ 0004033	★ 0004033
2	Roller, Guide	★ 0082003	★ 0082003	★ 0082003	★ 0082003	★ 0082003	★ 0082003	★ 0082003
3	Retainer, Syringe	0009063	0009063	0009063	0009063	0009063	0009063	0009063
4	Diaphragm Ass'y, Metering	★● A015010	★● A015010	★● A015010	★● A015010	★● A015010	★● A015010	★● A015047
5	Diaphragm, Pump	★● 0015086	★● 0015086	★● 0015086	★● 0015086	★● 0015086	★● 0015086	★● 0015086
6	Diaphragm, Surge	-----	-----	-----	-----	-----	-----	-----
7	Gasket, Pump	★● 0016079	★● 0016079	★● 0016079	★● 0016079	★● 0016079	★● 0016079	★● 0016079
8	Gasket, Metering Chamber	★● 0016076	★● 0016076	★● 0016076	★● 0016076	★● 0016076	★● 0016076	★● 0016076
9	Valve, Inlet Needle	★ 0018004	★ 0018004	★ 0018004	★ 0018004	★ 0018004	★ 0018004	★ 0018004
10	Spring, Metering Lever	★ 0019005	★ 0019006	★ 0019006	★ 0019006	★ 0019006	★ 0019006	★ 0019006
11	Lever, Metering	★ 0020012	★ 0020012	★ 0020012	★ 0020012	★ 0020012	★ 0020012	★ 0020012
12	Pin	★ 0021001	★ 0021001	★ 0021001	★ 0021001	★ 0021001	★ 0021001	★ 0021001
13	Cover, Metering Chamber	0028015	0028015	0028015	0028015	0028015	0028015	0028015
14	Screw, Throttle Adjust	0035067	0035067	0035067	0035067	0035067	0035067	0035067
15	Post	0045038	0045038	0045038	0045040	0045040	0045040	0045040
16	Base Ass'y, Primer	A056093	A056093	A056093	A056099	A056099	A056099	A056099
17	Syringe	0057003	0057003	0057003	0057003	0057003	0057003	0057003
18	Remote Jet	0070080	0070040	0070083	-----	-----	-----	-----
19	Nut, Cable	0077001	0077001	0077001	-----	0077001	0077001	-----
20	Screw, Wire Adjust	0080002	0080003	0080002	0080004	0080002	0080002	0080004
21	Plug, Jet	*	*	*	-----	-----	-----	-----
22	Cover Ass'y, Rotor	A078004	A078003	A078006	A078014	A078012	A078012	A078013
23	Screw (Pin)	14903006	14903006	14903006	14903006	14903006	14903006	14903006
24	Screw (Base Ass'y, Primer)	16103012	16103012	16103012	16103012	16103012	16103012	16103012
25	Screw (Rotor Cover)	17103007	17103007	17103007	17103007	17103007	17103007	17103007
26	Screw (Syringe Retainer)	17103015	17103015	17103015	17103015	17103015	17103015	17203015
27	Screw (Metering Cover)	17203006	17203006	17203006	17203006	17203006	17203006	17203006
28	E-Ring (Post)	19500025	19500025	19500025	19500025	19500025	19500025	19500025
29	O-Ring (Rotor Cover)	195519005	195519005	195519005	195519005	195519005	195519005	195519005
30	O-Ring (Plug, Jet)	*	*	*	-----	-----	-----	-----
31	Rod Starter	-----	-----	-----	-----	-----	-----	-----
32	Spring	-----	-----	-----	-----	-----	-----	-----
33	Retainer, Plug Ball	-----	-----	-----	0009083	0009083	0009083	0009083
34	Adjust Screw, Main Mixture	-----	-----	-----	0030203	0030204	0030204	0030203
35	Screw	-----	-----	-----	-----	-----	-----	-----

PARTS LIST

RB TYPE

REF	PART NAME	RB K84	RB K85	RB K86	RB K87	RB K88	RB K89	RB K90
	Venturi	6 mm	9 mm	9 mm	9 mm	9 mm	6 mm	9 mm
★	Rebuild Kit	RB-184	RB-123	RB-123	RB-123	RB-123	RB-139	RB-123
●	Gasket & Diaphragm Kit	★ GND-106	★ GND-66	★ GND-66	★ GND-66	★ GND-66	★ GND-66	★ GND-66
*	Plug Kit, Jet							
1	Strainer	★ 0004033	★ 0004033	★ 0004033	★ 0004033	★ 0004033	★ 0004033	★ 0004033
2	Roller, Guide	★ 0082003	★ 0082003	★ 0082003	★ 0082003	★ 0082003	★ 0082003	★ 0082003
3	Retainer, Syringe	0009063	0009063	0009063	0009063	0009063	0009063	0009063
4	Diaphragm Ass'y, Metering	★● A015078	★● A015047	★● A015047	★● A015047	★● A015047	★● A015047	★● A015047
5	Diaphragm, Pump	★● 0015086	★● 0015086	★● 0015086	★● 0015086	★● 0015086	★● 0015086	★● 0015086
6	Diaphragm, Surge	-----	-----	-----	-----	-----	-----	-----
7	Gasket, Pump	★● 0016079	★● 0016079	★● 0016079	★● 0016079	★● 0016079	★● 0016079	★● 0016079
8	Gasket, Metering Chamber	★● 0016076	★● 0016076	★● 0016076	★● 0016076	★● 0016076	★● 0016076	★● 0016076
9	Valve, Inlet Needle	★ 0018004	★ 0018004	★ 0018004	★ 0018004	★ 0018004	★ 0018004	★ 0018004
10	Spring, Metering Lever	★ 0019005	★ 0019006	★ 0019006	★ 0019006	★ 0019006	★ 0019005	★ 0019006
11	Lever, Metering	★ 0020012	★ 0020012	★ 0020012	★ 0020012	★ 0020012	★ 0020012	★ 0020012
12	Pin	★ 0021001	★ 0021001	★ 0021001	★ 0021001	★ 0021001	★ 0021001	★ 0021001
13	Cover, Metering Chamber	0028015	0028015	0028015	0028015	0028015	0028015	0028015
14	Screw, Throttle Adjust	0035067	0035067	0035067	0035067	0035067	0035067	0035067
15	Post	0045040	0045040	0045040	0045040	0045040	0045040	0045052
16	Base Ass'y, Primer	A056099	A056099	A056099	A056099	A056099	A056099	A056099
17	Syringe	0057003	0057003	0057003	0057003	0057003	0057003	0057003
18	Remote Jet	-----	-----	-----	-----	-----	-----	-----
19	Nut, Cable	-----	-----	-----	-----	-----	-----	0077001
20	Screw, Wire Adjust	0080004	-----	-----	0080012	-----	0080012	A080002
21	Plug, Jet	-----	-----	-----	-----	-----	-----	-----
22	Cover Ass'y, Rotor	A078018	A078020	A078013	A078013	A078013	A078018	A078020
23	Screw (Pin)	14903006	14903006	14903006	14903006	14903006	14903006	14903006
24	Screw (Base Ass'y, Primer)	16103012	16103012	16103012	16103012	16103012	16103012	16103012
25	Screw (Rotor Cover)	17103007	17103007	17103007	17103007	17103007	17103007	17103007
26	Screw (Syringe Retainer)	17203015	17203015	17203015	17203015	17203015	17203015	17203015
27	Screw (Metering Cover)	17203006	17203006	17203006	17203006	17203006	17203006	17203006
28	E-Ring (Post)	19500025	19500025	19500025	19500025	19500025	19500025	19500025
29	O-Ring (Rotor Cover)	195519005	195519005	195519005	195519005	195519005	195519005	195519005
30	O-Ring (Plug, Jet)	-----	-----	-----	-----	-----	-----	-----
31	Rod Starter	-----	-----	-----	-----	-----	-----	-----
32	Spring	-----	-----	-----	-----	-----	-----	-----
33	Retainer, Plug Ball	0009083	0009083	0009083	0009083	0009083	0009083	0009083
34	Adjust Screw, Main Mixture	0030204	0030203	0030203	0030203	0030252	0030204	0030203
35	Screw	-----	-----	-----	-----	-----	-----	-----

PARTS LIST

RB TYPE

REF	PART NAME	RB K91	RB K92.A	RB K93	RB K94	RB P25	RB K101	RB K106
	Venturi	9 mm	9 mm	9 mm	6 mm	10.5 mm	9 mm	9 mm
★	Rebuild Kit	RB-123	RB-123	RB-123	RB-139	RB-128	RB-123	RB-188
●	Gasket & Diaphragm Kit	★ GND-66	★ GND-66	★ GND-66	★ GND-66	★ GND-52	★ GND-66	★ GND-106
*	Plug Kit, Jet							
1	Strainer	★ 0004033	★ 0004033	★ 0004033	★ 0004033	★ 0004033	★ 0004033	★ 0004033
2	Roller, Guide	★ 0082003	★ 0082003	★ 0082003	★ 0082003	★ 0082003	★ 0082003	★ 0082003
3	Retainer, Syringe	0009063	0009063	0009063	0009063	0009063	0009063	0009063
4	Diaphragm Ass'y, Metering	★● A015047	★● A015047	★● A015047	★● A015047	★● A015010	★● A015047	★● A015078
5	Diaphragm, Pump	★● 0015086	★● 0015086	★● 0015086	★● 0015086	★● 0015086	★● 0015086	★● 0015086
6	Diaphragm, Surge	-----	-----	-----	-----	-----	-----	-----
7	Gasket, Pump	★● 0016079	★● 0016079	★● 0016079	★● 0016079	★● 0016079	★● 0016079	★● 0016079
8	Gasket, Metering Chamber	★● 0016076	★● 0016076	★● 0016076	★● 0016076	★● 0016076	★● 0016076	★● 0016076
9	Valve, Inlet Needle	★ 0018004	★ 0018004	★ 0018004	★ 0018004	★ 0018004	★ 0018004	★ 0018004
10	Spring, Metering Lever	★ 0019006	★ 0019006	★ 0019006	★ 0019005	★ 0019002	★ 0019006	★ 0019006
11	Lever, Metering	★ 0020012	★ 0020012	★ 0020012	★ 0020012	★ 0020012	★ 0020012	★ 0020012
12	Pin	★ 0021001	★ 0021001	★ 0021001	★ 0021001	★ 0021001	★ 0021001	★ 0021001
13	Cover, Metering Chamber	0028015	0028015	0028015	0028015	0028015	0028015	0028015
14	Screw, Throttle Adjust	0035067	0035067	0035067	0035067	0035067	0035067	0035067
15	Post	0045040	0045054	0045040	0045040	0045040	0045054	0045052
16	Base Ass'y, Primer	A056099	A056099	A056099	A056099	A056099	A056099	A056099
17	Syringe	0057003	0057003	0057003	0057003	0057003	0057003	0057003
18	Remote Jet	-----	-----	-----	-----	-----	-----	-----
19	Nut, Cable	-----	-----	-----	-----	-----	-----	0077001
20	Screw, Wire Adjust	-----	-----	-----	-----	0080008	-----	A080002
21	Plug, Jet	-----	-----	-----	-----	-----	-----	-----
22	Cover Ass'y, Rotor	A078023	A078023	A078023	A078024	A078016	A078023	A078020
23	Screw (Pin)	14903006	14903006	14903006	14903006	14903006	14903006	14903006
24	Screw (Base Ass'y, Primer)	16103012	16103012	16103012	16103012	16103012	16103012	16103012
25	Screw (Rotor Cover)	17103007	17103007	17103007	17103007	17103007	17103007	17103007
26	Screw (Syringe Retainer)	17203015	17203015	17203015	17203015	17203015	17203015	17203015
27	Screw (Metering Cover)	17203006	17203006	17203006	17203006	17203006	17203006	17203006
28	E-Ring (Post)	19500025	19500025	19500025	19500025	19500025	19500025	19500025
29	O-Ring (Rotor Cover)	195519005	195519005	195519005	195519005	195519005	195519005	195519005
30	O-Ring (Plug, Jet)	-----	-----	-----	-----	-----	-----	-----
31	Rod Starter	-----	-----	-----	-----	-----	-----	-----
32	Spring	-----	-----	-----	-----	-----	-----	-----
33	Retainer, Plug Ball	0009083	0009083	0009083	0009083	0009083	0009083	0009083
34	Adjust Screw, Main Mixture	0030252	0030203	0030203	0030204	0030237	0030203	0030203
35	Screw	-----	-----	-----	-----	-----	-----	-----

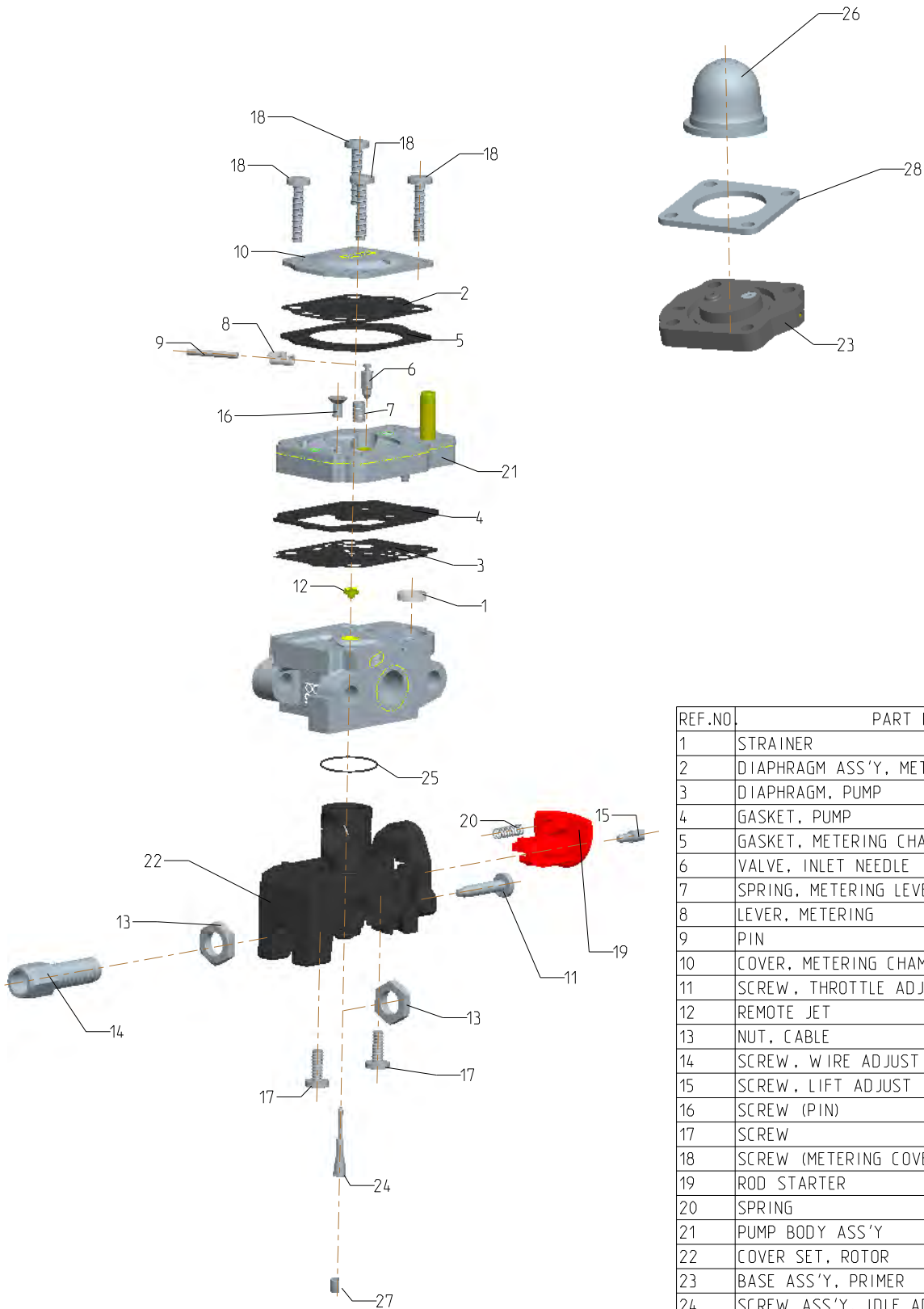
PARTS LIST



RC1 / RC2 TYPE

RC1/RC2 TYPE

* THIS ILLUSTRATION DOES NOT REPRESENT EVERY MODEL. THIS IS INTENDED FOR A GENERIC REFERENCE ONLY.



REF.NO.	PART NAME
1	STRAINER
2	DIAPHRAGM ASS'Y, METERING
3	DIAPHRAGM, PUMP
4	GASKET, PUMP
5	GASKET, METERING CHAMBER
6	VALVE, INLET NEEDLE
7	SPRING, METERING LEVER
8	LEVER, METERING
9	PIN
10	COVER, METERING CHAMBER
11	SCREW, THROTTLE ADJUST
12	REMOTE JET
13	NUT, CABLE
14	SCREW, WIRE ADJUST
15	SCREW, LIFT ADJUST
16	SCREW (PIN)
17	SCREW
18	SCREW (METERING COVER)
19	ROD STARTER
20	SPRING
21	PUMP BODY ASS'Y
22	COVER SET, ROTOR
23	BASE ASS'Y, PRIMER
24	SCREW ASS'Y, IDLE ADJUST
25	O-RING
26	SYRINGE
27	PLUG ADJUST SCREW
28	RETAINER

PARTS LIST

RC1/RC2 TYPE

REF	PART NAME	RC1 M45	RC1 M46	RC2 M47	RC2 M48				
	Venturi	9 mm	9 mm	10.5 mm	10.5 mm				
★	Rebuild Kit	RB-135	RB-135	RB-135	RB-135				
●	Gasket & Diaphragm Kit	GND-74	GND-74	GND-74	GND-74				
1	Strainer	★ 0004033	★ 0004033	★ 0004033	★ 0004033				
2	Diaphragm Ass'y, Metering	★● A015043	★● A015043	★● A015043	★● A015043				
3	Diaphragm, Pump	★● 0015104	★● 0015104	★● 0015104	★● 0015104				
4	Gasket, Pump	★● 0016092	★● 0016092	★● 0016092	★● 0016092				
5	Gasket, Metering Chamber	★● 0016080	★● 0016080	★● 0016080	★● 0016080				
6	Valve, Inlet Needle	★ 0018004	★ 0018004	★ 0018004	★ 0018004				
7	Spring, Metering Lever	★ 0019002	★ 0019002	★ 0019002	★ 0019002				
8	Lever, Metering	★ 0020012	★ 0020012	★ 0020012	★ 0020012				
9	Pin	★ 0021001	★ 0021001	★ 0021001	★ 0021001				
10	Cover, Metering Chamber	0028043	0028043	-----	-----				
11	Screw, Throttle Adjust	0035080	0035080	-----	-----				
12	Remote Jet	0070112	0070112	0070114	0070116				
13	Nut, Cable	0077001	0077004	-----	-----				
14	Screw, Wire Adjust	0080009	-----	-----	-----				
15	Screw, Lift Adjust	0058022	0058022	0058022	0058022				
16	Screw (Pin)	149025055	149025055	149025055	149025055				
17	Screw	17103008	17103008	17103008	17103008				
18	Screw	17203015	17203015	17203021	17203021				
19	Rod Starter	0089004	0089004	0089009	0089009				
20	Spring	0054059	0054059	0054059	0054059				
21	Pump Body Ass'y	A049029	A049029	A049035	A049036				
22	Cover Set, Rotor	S078001	-----	S078002	S078002				
23	Base Ass'y, Primer	-----	-----	A056125	A056125				
24	Screw Ass'y, Idle Adjust	-----	-----	A031019	A031019				
25	O-Ring	-----	-----	195514005	195514005				
26	Syringe	-----	-----	0057004	0057004				
27	Plug for Adjust Screw	-----	-----	0005044	0005044				
28	Retainer	-----	-----	0009065	0009065				

2011 PRICE LIST



PRICE LIST

PARTS				PARTS			
PART NUMBER	DESCRIPTION	LIST PRICE	QTY	PART NUMBER	DESCRIPTION	LIST PRICE	QTY
0002025	Seat, Inlet	\$ 3.63	1	0012085	Lever, Throttle	\$ 0.81	5
0004001	Strainer	\$ 0.37	10	0012089	Lever, Throttle	\$ 0.81	5
0004002	Strainer	\$ 0.39	10	0012091	Lever, Throttle	\$ 0.81	5
0004003	Strainer	\$ 0.40	10	0012092	Lever, Throttle	\$ 0.81	5
0004004	Strainer	\$ 0.51	10	0012094	Lever, Throttle	\$ 0.81	5
0004005	Strainer	\$ 0.37	10	0012095	Lever, Throttle	\$ 0.81	5
0004006	Strainer	\$ 0.50	10	0012096	Lever, Throttle	\$ 0.98	5
0004008	Strainer	\$ 0.37	10	0012099	Lever, Throttle	\$ 0.98	5
0004009	Strainer	\$ 0.46	10	0012103	Lever, Throttle	*	
0004010	Strainer	\$ 0.52	10	0012106	Lever, Throttle	\$ 0.81	5
0004011	Strainer	\$ 0.52	10	0012109	Lever, Choke	\$ 0.81	5
0004032	Strainer	\$ 0.58	10	0012132	Lever, Throttle	\$ 0.81	5
0004033	Strainer	\$ 0.58	10	0012135	Lever, Throttle	\$ 0.81	5
0004034	Strainer	\$ 0.40	10	0012137	Lever, Throttle	\$ 0.81	5
0005001	Plug, Welch	\$ 0.45	10	0012138	Lever, Throttle	\$ 0.77	5
0005002	Plug, Welch	\$ 0.37	10	0012139	Lever, Throttle	\$ 0.81	5
0005004	Plug, Welch	\$ 0.46	10	0012149	Discontinued		
0005005	Plug, Welch	\$ 0.51	10	0012151	Lever, Throttle	\$ 0.98	5
0005006	Plug, Welch	\$ 0.46	10	0012154	Lever, Throttle	\$ 0.98	5
0005007	Plug, Welch	\$ 0.51	10	0012157	Lever, Throttle	*	
0005008	Plug, Welch	\$ 0.53	10	0012161	Lever, Throttle	\$ 0.85	5
0005009	Plug, Welch	\$ 0.51	10	0012162	Lever, Throttle	\$ 0.85	5
0005010	Plug, Welch	\$ 0.48	10	0012163	Lever, Throttle	\$ 0.98	5
0005011	Plug, Welch	\$ 0.48	10	0012166	Lever, Throttle	\$ 0.85	5
0005013	Plug, Welch	\$ 0.49	10	0012171	Lever, Throttle	\$ 0.85	5
0005035	Plug, Welch	\$ 0.51	10	0012175	Lever, Throttle	\$ 0.85	5
0005039	Plug, Welch	\$ 0.51	10	0012179	Lever, Throttle	\$ 0.85	5
0005042	Plug, Welch	\$ 0.51	10	0012181	Lever, Throttle	\$ 0.85	5
0005044	Plug, H Adjust Screw	\$ 0.51	10	0012182	Lever, Throttle	\$ 0.85	5
0005047	Plug, Choke Shaft	\$ 0.51	10	0012189	Lever, Throttle	\$ 0.85	5
0005054	Plug, Welch	\$ 0.51	10	0012193	Lever, Throttle	\$ 0.98	5
0008004	Valve, Check	\$ 0.37	10	0012194	Lever, Throttle	\$ 0.98	5
0009010	Retainer, Syringe	\$ 1.03	10	0012196	Lever, Throttle	\$ 0.98	5
0009015	Retainer, Syringe	\$ 1.03	10	0012199	Lever, Throttle	\$ 0.85	5
0009016	Retainer, Check Valve	\$ 1.03	10	0012200	Lever, Throttle	*	
0009017	Retainer, Shaft	\$ 0.58	10	0012208	Lever, Throttle	\$ 0.98	5
0009022	Retainer	\$ 1.03	10	0012210	Lever, Throttle	\$ 0.85	5
0009025	Retainer, Limiter	\$ 1.03	10	0012224	Lever, Throttle	\$ 0.98	5
0009027	Retainer, Syringe	\$ 1.03	10	0012225	Lever, Throttle	\$ 0.98	5
0009028	Retainer, Limiter	\$ 0.92	10	0012233	Lever, Throttle	\$ 0.98	5
0009031	Retainer	\$ 1.33	10	0012234	Lever, Throttle	*	
0009034	Retainer	*		0012236	Lever, Throttle	\$ 0.98	5
0009063	Retainer	\$ 1.03	10	0012238	Lever, Throttle	\$ 0.98	5
0009065	Retainer	\$ 1.03	10	0012253	Lever, Throttle	\$ 0.98	5
0009068	Retainer, Spring	*		0012256	Lever, Throttle	\$ 0.98	5
0009082	Retainer, Syringe	\$ 1.03	10	0012259	Lever, Throttle	\$ 0.98	5
0009083	Retainer, Plug Ball	\$ 1.03	10	0012261	Lever, Throttle	\$ 0.98	5
0009088	Retainer, Spring	\$ 1.33	10	0012266	Lever, Throttle	*	
0011121	Shaft, Throttle	\$ 4.45	1	0012269	Lever, Throttle	\$ 0.98	5
0011122	Shaft, Throttle	\$ 4.45	1	0012275	Lever, Throttle	\$ 0.98	5
0011213	Shaft, Throttle	\$ 4.45	1	0012277	Lever, Throttle	\$ 0.98	5
0012017	Lever, Throttle	\$ 0.63	5	0012278	Lever, Throttle	\$ 0.98	5
0012023	Lever, Throttle	\$ 0.68	5	0012288	Lever, Throttle	*	
0012039	Lever, Throttle	\$ 1.61	5	0012290	Lever, Throttle	*	
0012042	Lever, Throttle	\$ 0.68	5	0012295	Lever, Throttle	\$ 0.98	5
0012045	Lever, Throttle	\$ 0.81	5	0012296	Lever, Throttle	\$ 0.98	5
0012046	Lever, Throttle	\$ 0.89	5	0012297	Lever, Throttle	\$ 0.98	5
0012055	Lever, Throttle	\$ 0.68	5	0012298	Lever, Throttle	*	
0012064	Lever, Throttle	\$ 0.98	5	0012304	Lever, Throttle	*	
0012067	Lever, Throttle	\$ 0.81	5	0012306	Lever, Throttle	*	
0012071	Lever, Throttle	\$ 0.81	5	0012310	Lever, Throttle	\$ 0.98	5

PRICE LIST

PARTS

PART NUMBER	DESCRIPTION	LIST PRICE	QTY
0012313	Lever, Throttle	\$ 0.98	5
0012314	Lever, Throttle	*	
0012316	Lever, Throttle	\$ 0.98	5
0012322	Lever, Throttle	\$ 0.98	5
0012336	Lever, Throttle	\$ 0.98	5
0012337	Lever, Throttle	*	
0012703	Lever, Throttle	\$ 0.98	5
0012704	Lever, Throttle	\$ 0.98	5
0013002	Spring, Throttle Return	\$ 0.50	10
0013005	Spring, Throttle Return	\$ 0.48	10
0013011	Spring, Throttle Return	\$ 0.53	10
0013012	Spring, Throttle Return	\$ 0.50	10
0013014	Spring, Throttle Return	\$ 0.53	10
0013015	Spring, Throttle Return	\$ 0.54	10
0013016	Spring, Throttle Return	\$ 0.52	10
0013017	Spring, Throttle Return	\$ 0.54	10
0013018	Spring, Throttle Return	\$ 0.54	10
0013019	Spring, Choke Return	\$ 0.54	10
0013020	Spring, Throttle Return	\$ 0.54	10
0013021	Spring, Choke Return	\$ 0.54	10
0013023	Spring, Throttle Return	\$ 0.65	10
0013024	Spring, Throttle Return	\$ 0.54	10
0013025	Spring, Choke Return	\$ 0.54	10
0013027	Spring, Throttle Return	\$ 0.57	10
0013028	Spring, Throttle Return	\$ 0.57	10
0013029	Spring, Throttle Return	\$ 0.57	10
0013030	Spring, Choke Return	\$ 0.70	10
0013031	Spring, Throttle Return	\$ 0.57	10
0013032	Spring, Choke Linkage	\$ 0.57	10
0013036	Spring, Throttle Return	\$ 0.54	10
0013037	Spring, Choke Return	\$ 0.54	10
0013038	Spring, Throttle Return	\$ 0.70	10
0013040	Spring, Throttle Return	\$ 0.70	10
0013041	Spring, Throttle Return	\$ 0.70	10
0013042	Spring, Throttle Return	\$ 0.57	10
0013043	Spring, Throttle Return	\$ 0.54	10
0013044	Spring, Throttle Return	\$ 0.70	10
0013065	Spring, Choke Return	\$ 0.70	10
0013066	Spring, Choke Return	\$ 0.70	10
0013067	Spring, Choke Return	\$ 0.70	10
0013068	Spring, Choke Return	\$ 0.70	10
0013071	Spring, Choke Return	\$ 0.68	10
0013072	Spring, Throttle Return	\$ 0.68	10
0013073	Spring, Detent	\$ 0.68	10
0013074	Spring, Detent	\$ 0.68	10
0013075	Spring, Throttle Return	\$ 0.68	10
0013076	Spring, Throttle Return	\$ 0.68	10
0013077	Spring, Choke Return	\$ 0.68	10
0013078	Spring, Throttle Return	\$ 0.54	10
0013079	Spring, Choke Return	\$ 0.68	10
0013080	Spring, Throttle Return	\$ 0.68	10
0013081	Spring, Throttle Return	\$ 0.68	10
0013082	Spring, Choke Return	\$ 0.68	10
0013083	Spring, Choke Return	\$ 0.68	10
0013085	Spring, Choke Return	\$ 0.68	10
0013086	Spring, Choke Return	\$ 0.68	10
0013087	Spring, Choke Return	\$ 0.68	10
0013088	Spring, Choke Return	\$ 0.68	10
0013089	Spring, Throttle Return	\$ 0.68	10
0013090	Spring, Choke Return	\$ 0.68	10
0013093	Spring, Choke Return	\$ 0.70	10

PARTS

PART NUMBER	DESCRIPTION	LIST PRICE	QTY
0013094	Spring, Airhead	\$ 0.69	10
0013095	Spring, Throttle Return	\$ 0.73	10
0013096	Spring, Choke Return	\$ 0.68	10
0013097	Spring, Airhead	\$ 0.68	10
0013099	Spring, Throttle Return	\$ 0.68	10
0013100	Spring, Airhead	\$ 0.68	10
0013101	Spring, Throttle Return	\$ 0.68	10
0013102	Spring, Choke Return	\$ 0.68	10
0013103	Spring, Choke Return	\$ 0.68	10
0013104	Spring, Throttle Return	\$ 0.68	10
0013105	Spring, Throttle Return	\$ 0.68	10
0013107	Spring, Throttle Return	\$ 0.69	10
0013108	Spring, Choke Return	\$ 0.68	10
0013109	Spring, Throttle Return	\$ 0.68	10
0013112	Spring, Choke Return	\$ 0.68	10
0013113	Spring, Airhead	\$ 0.68	10
0013114	Spring, Choke Return	\$ 0.68	10
0013115	Spring, Choke Return	\$ 0.68	10
0013116	Spring, Throttle Return	\$ 0.68	10
0013117	Spring, Throttle Return	\$ 0.68	10
0013118	Spring, Airhead	\$ 0.68	10
0013119	Spring, Throttle Return	\$ 0.68	10
0013120	Spring, Choke Return	\$ 0.68	10
0013121	Spring, Throttle Return	\$ 0.68	10
0013122	Spring, Lever Control	\$ 0.68	10
0013124	Spring, Choke Return	\$ 0.68	10
0013126	Spring, Choke Return	\$ 0.68	10
0013129	Spring, Throttle Return	\$ 0.68	10
0013130	Spring, Choke Return	\$ 0.68	10
0013136	Spring, Throttle Return	\$ 0.68	10
0013137	Spring, Throttle Return	\$ 0.68	10
0013138	Spring, Choke Return	\$ 0.68	10
0013139	Spring, Airhead	\$ 0.68	10
0013140	Spring, Throttle Return	\$ 0.68	10
0013141	Spring, Choke Return	\$ 0.68	10
0013142	Spring, Throttle Return	\$ 0.68	10
0013143	Spring, Choke Return	\$ 0.68	10
0013149	Spring, Choke Return	\$ 0.68	10
0013154	Spring, Throttle Return	\$ 0.68	10
0013701	Spring, Choke	\$ 0.68	10
0013703	Spring, Throttle Return	\$ 0.68	10
0013705	Spring, Choke Return	\$ 0.68	10
0013706	Spring, Throttle Return	\$ 0.68	10
0014002	Valve, Throttle	\$ 0.70	5
0014003	Valve, Throttle	\$ 0.84	5
0014004	Valve, Throttle	\$ 0.70	5
0014007	Valve, Throttle	\$ 0.70	5
0014008	Valve, Throttle	\$ 0.84	5
0014010	Valve, Throttle	\$ 0.87	5
0014015	Valve, Throttle	\$ 0.84	5
0014016	Valve, Throttle	\$ 0.99	5
0014018	Valve, Throttle	\$ 1.30	5
0014020	Valve, Throttle	\$ 0.89	5
0014023	Valve, Throttle	\$ 1.59	5
0014025	Valve, Throttle	\$ 1.34	5
0014026	Valve, Throttle	\$ 1.31	5
0014027	Valve, Throttle	\$ 1.26	5
0014028	Valve, Throttle	\$ 1.86	5
0014029	Valve, Throttle	\$ 1.30	5
0014030	Valve, Throttle	\$ 1.31	5
0014031	Valve, Throttle	\$ 1.17	5

* MUST BE PURCHASED FROM AN AUTHORIZED STIHL DISTRIBUTOR.

PRICE LIST

PARTS				PARTS			
PART NUMBER	DESCRIPTION	LIST PRICE	QTY	PART NUMBER	DESCRIPTION	LIST PRICE	QTY
0014032	Valve, Throttle	\$ 1.31	5	0014133	Valve, Throttle	\$ 1.65	5
0014033	Valve, Throttle	\$ 1.17	5	0014134	Valve, Throttle	\$ 1.65	5
0014035	Valve, Throttle	\$ 1.17	5	0014135	Valve, Throttle	*	
0014036	Valve, Throttle	\$ 1.31	5	0014141	Valve, Throttle	*	
0014037	Valve, Throttle	\$ 1.31	5	0014142	Valve, Throttle	\$ 1.65	5
0014038	Valve, Throttle	\$ 1.31	5	0014151	Valve, Throttle	\$ 1.65	5
0014040	Valve, Throttle	\$ 1.31	5	0014701	Valve, Throttle	\$ 1.65	5
0014041	Valve, Throttle	\$ 1.31	5	0015001	Diaphragm, Pump	\$ 1.90	10
0014044	Valve, Throttle	\$ 1.31	5	0015008	Diaphragm, Metering	\$ 3.41	10
0014045	Valve, Throttle	\$ 1.31	5	0015009	Diaphragm, Metering	\$ 4.06	10
0014047	Valve, Throttle	\$ 1.31	5	0015012	Diaphragm, Metering	\$ 3.92	10
0014048	Valve, Throttle	\$ 1.31	5	0015014	Diaphragm, Metering	\$ 3.29	10
0014049	Valve, Throttle	\$ 1.31	5	0015015	Diaphragm, Surge	\$ 1.54	10
0014050	Valve, Throttle	\$ 1.65	5	0015016	Diaphragm, Surge	\$ 1.64	10
0014053	Valve, Throttle	\$ 1.33	5	0015018	Diaphragm, Surge	\$ 1.82	10
0014054	Valve, Throttle	*		0015021	Diaphragm, Pump	\$ 2.02	10
0014056	Valve, Throttle	\$ 1.86	5	0015024	Diaphragm, Pump	\$ 2.41	10
0014057	Valve, Throttle	\$ 1.31	5	0015030V	Diaphragm, Pump	\$ 2.65	10
0014076	Valve, Throttle	*		0015031V	Diaphragm, Pump	\$ 2.68	10
0014077	Valve, Throttle	*		0015032V	Diaphragm, Pump	\$ 2.60	10
0014079	Valve, Throttle	\$ 1.62	5	0015033V	Diaphragm, Pump	\$ 2.60	10
0014080	Valve, Throttle	\$ 1.65	5	0015038	Diaphragm, Pump	\$ 1.94	10
0014081	Valve, Throttle	\$ 1.65	5	0015039	Diaphragm, Pump	\$ 2.60	10
0014082	Valve, Throttle	\$ 1.62	5	0015040	Diaphragm, Pump	\$ 2.41	10
0014083	Valve, Throttle	\$ 1.59	5	0015041	Diaphragm, Pump	\$ 3.43	10
0014084	Valve, Throttle	\$ 1.65	5	0015044	Diaphragm, Pump	\$ 2.68	10
0014086	Valve, Throttle	\$ 1.65	5	0015046	Diaphragm, Pump	\$ 2.41	10
0014087	Valve, Throttle	\$ 1.65	5	0015047	Diaphragm, Pump	\$ 2.29	10
0014089	Valve, Throttle	\$ 1.65	5	0015048	Diaphragm, Pump	\$ 2.41	10
0014090	Valve, Throttle	*		0015049	Diaphragm, Pump	\$ 2.60	10
0014091	Valve, Throttle	\$ 1.59	5	0015050	Diaphragm, Pump	\$ 2.29	10
0014093	Valve, Throttle	\$ 1.65	5	0015051	Diaphragm, Pump	\$ 1.90	10
0014094	Valve, Throttle	\$ 1.65	5	0015052	Diaphragm, Pump	\$ 1.97	10
0014095	Valve, Throttle	*		0015057	Diaphragm, Pump	\$ 1.99	10
0014096	Valve, Throttle	*		0015059	Diaphragm, Pump	\$ 1.99	10
0014098	Valve, Throttle	\$ 1.65	5	0015060	Diaphragm, Pump	\$ 1.90	10
0014099	Valve, Throttle	*		0015080	Diaphragm, Surge	\$ 2.12	10
0014102	Valve, Throttle	\$ 1.65	5	0015081	Diaphragm, Pump	\$ 2.12	10
0014103	Valve, Throttle	\$ 1.65	5	0015083	Diaphragm, Pump	\$ 2.68	10
0014105	Valve, Throttle	\$ 1.65	5	0015084	Diaphragm, Surge	\$ 2.29	10
0014106	Valve, Throttle	\$ 1.65	5	0015086	Diaphragm, Pump	\$ 2.68	10
0014108	Valve, Throttle	\$ 1.65	5	0015091	Diaphragm, Pump	\$ 2.68	10
0014109	Valve, Throttle	*		0015092	Diaphragm, Pump	\$ 2.65	10
0014110	Valve, Throttle	\$ 1.65	5	0015103	Diaphragm, Pump	\$ 2.68	10
0014111	Valve, Throttle	\$ 1.62	5	0015104	Diaphragm, Pump	\$ 2.68	10
0014112	Valve, Throttle	*		0015110	Diaphragm, Pump	\$ 2.68	10
0014113	Valve, Throttle	\$ 1.65	5	0016001	Gasket, Pump	\$ 0.57	10
0014114	Valve, Throttle	*		0016004	Gasket, Pump	\$ 0.75	10
0014115	Valve, Throttle	*		0016005	Gasket, Metering Chamber	\$ 0.54	10
0014116	Valve, Throttle	*		0016008	Gasket, Metering Chamber	\$ 0.50	10
0014118	Valve, Throttle	\$ 1.65	5	0016011	Gasket, Pump	\$ 0.48	10
0014119	Valve, Throttle	\$ 1.65	5	0016012	Gasket, Metering Chamber	\$ 0.46	10
0014120	Valve, Throttle	\$ 1.65	5	0016014	Gasket, Metering Chamber	\$ 0.48	10
0014121	Valve, Throttle	\$ 1.65	5	0016015	Gasket, Pump	\$ 0.50	10
0014122	Valve, Throttle	*		0016016	Gasket, Pump	\$ 0.87	10
0014126	Valve, Throttle	*		0016018	Gasket, Metering Chamber	\$ 0.50	10
0014128	Valve, Throttle	*		0016019	Gasket, Metering Chamber	\$ 0.60	10
0014129	Valve, Throttle	*		0016021	Gasket, Metering Chamber	\$ 0.52	10
0014130	Valve, Throttle	\$ 1.65	5	0016023	Gasket, Pump	\$ 0.48	10
0014131	Valve, Throttle	*		0016024	Gasket, Metering Chamber	\$ 0.50	10
0014132	Valve, Throttle	*		0016025	Gasket, Pump	\$ 0.52	10

PRICE LIST

PARTS				PARTS			
PART NUMBER	DESCRIPTION	LIST PRICE	QTY	PART NUMBER	DESCRIPTION	LIST PRICE	QTY
0016027	Gasket, Metering Chamber	\$ 0.70	10	0017046	Cover, Pump	\$ 3.88	1
0016031	Gasket, Strainer	\$ 1.00	10	0017053	Cover, Pump	\$ 3.86	1
0016032	Gasket, Pump	\$ 0.60	10	0017074	Cover, Pump	\$ 3.88	1
0016033	Gasket, Pump	\$ 0.60	10	0017075	Cover, Pump	*	
0016034	Gasket, Pump	\$ 0.53	10	0017077	Cover, Pump	\$ 3.88	1
0016035	Gasket, Metering Chamber	\$ 0.56	10	0017079	Cover, Pump	\$ 3.88	1
0016037	Gasket, Pump	\$ 1.09	10	0017081	Cover, Pump	\$ 3.88	1
0016039	Gasket, Pump	\$ 0.56	10	0017088	Cover, Pump	*	
0016041	Gasket, Metering Chamber	\$ 1.09	10	0017089	Cover, Pump	\$ 3.88	1
0016042	Gasket, Metering Chamber	\$ 0.77	10	0017091	Cover, Pump	\$ 3.88	1
0016046	Gasket, Pump	\$ 0.51	10	0017092	Cover, Pump	\$ 3.88	1
0016047	Gasket, Pump	\$ 0.77	10	0017093	Cover, Pump	*	
0016049	Gasket, Pump	\$ 0.59	10	0017094	Cover, Pump	\$ 3.88	1
0016050	Gasket, Pump	\$ 0.58	10	0017095	Cover, Pump	*	
0016051	Gasket, Metering Chamber	\$ 0.59	10	0017096	Cover, Pump	*	
0016073	Gasket, Pump	\$ 0.94	10	0017098	Cover, Pump	\$ 3.88	1
0016074	Gasket, Metering Chamber	\$ 1.77	10	0017101	Cover, Pump	*	
0016075	Gasket, Metering Chamber	\$ 1.77	10	0017105	Cover, Pump	*	
0016076	Gasket, Metering Chamber	\$ 1.77	10	0017111	Cover, Pump	\$ 3.88	1
0016077	Gasket, Metering Chamber	\$ 1.77	10	0018002	Valve, Inlet Needle	\$ 2.64	10
0016078	Gasket, Metering Chamber	\$ 1.77	10	0018004	Valve, Inlet Needle	\$ 2.90	10
0016079	Gasket, Metering Chamber	\$ 1.77	10	0019002	Spring, Metering Lever	\$ 0.50	10
0016080	Gasket, Metering Chamber	\$ 1.77	10	0019003	Spring, Metering Lever	\$ 0.63	10
0016083	Gasket, Pump	\$ 0.94	10	0019005	Spring, Metering Lever	\$ 0.50	10
0016084	Gasket, Pump	\$ 0.94	10	0019006	Spring, Metering Lever	\$ 0.57	10
0016085	Gasket, Metering Chamber	\$ 1.77	10	0019007	Spring, Metering Lever	\$ 0.50	10
0016086	Gasket, Metering Chamber	\$ 0.94	10	0019009	Spring, Metering Lever	\$ 0.57	10
0016087	Gasket, Pump	\$ 1.77	10	0019011	Spring, Metering Lever	\$ 0.57	10
0016090	Gasket, Airhead	\$ 0.94	10	0019012	Spring, Metering Lever	\$ 0.57	10
0016091	Gasket, Pump	\$ 1.77	10	0019013	Spring, Metering Lever	\$ 0.71	10
0016092	Gasket, Pump	\$ 1.77	10	0019014	Spring, Metering Lever	\$ 0.57	10
0016093	Gasket, Metering Chamber	\$ 1.77	10	0019015	Spring, Metering Lever	\$ 0.71	10
0016094	Gasket, Airhead	\$ 1.77	10	0019036	Spring, Metering Lever	\$ 0.71	10
0016095	Gasket, Metering Chamber	*		0020002	Lever, Metering	\$ 0.56	10
0016096	Gasket, Pump	\$ 1.77	10	0020003	Lever, Metering	\$ 0.82	10
0016097	Gasket, Metering Chamber	\$ 1.77	10	0020005	Lever, Metering	\$ 0.68	10
0016098	Gasket, Metering Chamber	\$ 1.77	10	0020006	Lever, Metering	\$ 0.68	10
0016099	Gasket, Metering Chamber	*		0020008	Lever, Metering	\$ 0.73	10
0016100	Gasket, Metering Chamber	*		0020009	Use 0020012		
0016102	Gasket, Metering Chamber	*		0020010	Lever, Metering	\$ 0.78	10
0016103	Gasket, Metering Chamber	\$ 1.77	10	0020011	Lever, Metering	\$ 0.92	10
0016104	Gasket, Airhead	\$ 1.77	10	0020012	Lever, Metering	\$ 0.63	10
0016105	Gasket, Metering Chamber	*		0020033	Lever, Metering Chamber	\$ 0.82	10
0016701	Gasket, Metering Chamber	\$ 1.77	10	0021001	Pin	\$ 0.38	10
0017007	Cover, Pump	\$ 3.03	1	0021002	Pin	\$ 0.38	10
0017011	Cover, Pump	\$ 3.94	1	0021007	Pin	\$ 0.59	10
0017014	Cover, Pump	\$ 3.88	1	0025004	Disk	\$ 0.52	10
0017015	Cover, Pump	\$ 3.88	1	0025005	Disk	\$ 0.52	10
0017023	Cover, Pump	\$ 3.20	1	0025006	Disk	\$ 0.52	10
0017024	Cover, Pump	*		0025007	Disk	\$ 0.52	10
0017025	Cover, Pump	\$ 3.88	1	0026001	Washer (Limiter)	\$ 0.37	10
0017026	Cover, Pump	\$ 3.90	1	0026003	Washer	\$ 0.37	10
0017027	Cover, Pump	*		0026005	Washer	\$ 0.37	10
0017028	Cover, Pump	*		0026006	Washer	\$ 0.37	10
0017029	Cover, Pump	\$ 5.94	1	0026011	Washer	\$ 1.39	10
0017032	Cover, Pump	*		0026013	Washer	*	
0017033	Cover, Pump	\$ 3.81	1	0026014	Washer	\$ 0.76	10
0017041	Cover, Pump	\$ 3.88	1	0026036	Washer	\$ 0.76	10
0017042	Cover, Pump	\$ 3.88	1	0026037	Washer	\$ 0.76	10
0017044	Cover, Pump	\$ 3.88	1	0028010	Discontinued		
0017045	Cover, Pump	\$ 5.94	1	0028012	Cover, Metering Chamber	\$ 2.18	1

* MUST BE PURCHASED FROM AN AUTHORIZED STIHL DISTRIBUTOR.

PRICE LIST

PARTS

PART NUMBER	DESCRIPTION	LIST PRICE	QTY
0028015	Cover, Metering Chamber	\$ 2.25	1
0028018	Cover, Metering Chamber	*	
0028019	Cover, Metering Chamber	*	
0028020	Cover, Metering Chamber	\$ 2.19	1
0028021	Discontinued		
0028022	Cover, Metering Chamber	\$ 2.19	1
0028023	Cover, Metering Chamber	\$ 2.19	1
0028024	Discontinued		
0028026	Discontinued		
0028030	Discontinued		
0028033	Cover, Metering Chamber	\$ 2.19	1
0028036	Cover, Metering Chamber	\$ 2.19	1
0028038	Cover, Metering Chamber	\$ 2.19	1
0028039	Cover, Metering Chamber	\$ 2.19	1
0028040	Cover, Metering Chamber	\$ 2.19	1
0028042	Cover, Metering Chamber	\$ 2.19	1
0028043	Cover, Metering Chamber	\$ 2.19	1
0028044	Cover, Metering Chamber	\$ 2.19	1
0028045	Cover, Metering Chamber	\$ 2.19	1
0028047	Cover, Metering Chamber	\$ 2.19	1
0028048	Cover, Compensator	\$ 2.19	1
0028049	Cover, Metering Chamber	\$ 2.19	1
0028051	Cover, Metering Chamber	*	
0028057	Cover, Metering Chamber	*	
0028701	Cover, Metering Chamber	\$ 2.19	1
0029001	Spring, Adjust Screw	\$ 0.51	10
0029002	Spring, Adjust Screw	\$ 0.50	10
0029003	Spring, Adjust Screw	\$ 0.55	10
0029004	Spring, Adjust Screw	\$ 0.55	10
0029005	Spring, Adjust Screw	\$ 0.56	10
0029006	Spring, Adjust Screw	\$ 0.56	10
0029007	Spring, Adjust Screw	\$ 0.51	10
0029031	Spring, Adjust Screw	\$ 0.56	10
0029032	Spring, Adjust Screw	\$ 0.56	10
0029033	Spring, Adjust Screw	\$ 0.56	10
0029034	Spring, Adjust Screw	\$ 0.56	10
0029035	Discontinued		
0029036	Spring, Adjust Screw	\$ 0.56	10
0030002	Screw, Main Mixture	\$ 2.32	5
0030004	Screw, Main Mixture	\$ 2.32	5
0030005	Screw, Main Mixture	\$ 2.08	5
0030008	Discontinued		
0030017	Discontinued		
0030023	Screw, Main Mixture	\$ 2.11	5
0030024	Screw, Main Mixture	\$ 2.11	5
0030026	Discontinued		
0030030	Screw, Main Mixture	\$ 3.20	5
0030032	Screw, Main Mixture	\$ 2.99	5
0030037	Discontinued		
0030038	Screw, Main Mixture	\$ 5.33	5
0030039	Discontinued		
0030040	Discontinued		
0030041	Discontinued		
0030043	Screw, Main Mixture	\$ 2.99	5
0030044	Discontinued		
0030046	Screw, Main Mixture	\$ 2.11	5
0030048	Discontinued		
0030049	Screw, Main Mixture	\$ 2.11	5
0030052	Screw, Main Mixture	\$ 2.99	5
0030054	Discontinued		
0030055	Screw, Main Mixture	\$ 5.33	5

PARTS

PART NUMBER	DESCRIPTION	LIST PRICE	QTY
0030058	Discontinued		
0030059	Discontinued		
0030061	Screw, Main Mixture	\$ 2.11	5
0030063	Screw, Main Mixture	\$ 2.67	5
0030065	Screw, Main Mixture	\$ 2.58	5
0030072	Screw, Main Mixture	\$ 2.58	5
0030075	Discontinued		
0030076	Discontinued		
0030081	Discontinued		
0030086	Screw, Main Mixture	\$ 2.67	5
0030091	Discontinued		
0030092	Discontinued		
0030093	Discontinued		
0030096	Screw, Main Mixture	\$ 2.76	5
0030102	Discontinued		
0030105	Discontinued		
0030107	Screw, Main Mixture	\$ 2.58	5
0030108	Screw, Main Mixture	\$ 2.67	5
0030109	Screw, Main Mixture	\$ 2.67	5
0030111	Discontinued		
0030112	Screw, Main Mixture	\$ 2.67	5
0030113	Screw, Main Mixture	\$ 2.58	5
0030117	Screw, Main Mixture	\$ 2.58	5
0030139	Screw, Main Mixture	\$ 2.67	5
0030140	Screw, Main Mixture	\$ 2.67	5
0030144	Screw, Main Mixture	\$ 2.58	5
0030145	Screw, Main Mixture	\$ 2.67	5
0030148	Discontinued		
0030149	Screw, Main Mixture	\$ 2.67	5
0030150	Screw, Main Mixture	\$ 2.67	5
0030152	Screw, Main Mixture	\$ 2.67	5
0030153	Screw, Main Mixture	\$ 2.67	5
0030154	Screw, Main Mixture	\$ 2.99	5
0030155	Screw, Main Mixture	\$ 2.67	5
0030156	Screw, Main Mixture	\$ 2.99	5
0030157	Screw, Main Mixture	\$ 2.99	5
0030158	Screw, Main Mixture	\$ 2.58	5
0030159	Screw, Main Mixture	\$ 2.99	5
0030160	Screw, Main Mixture	\$ 2.99	5
0030161	Screw, Main Mixture	\$ 2.99	5
0030163	Screw, Main Mixture	\$ 2.99	5
0030164	Screw, Main Mixture	\$ 3.59	5
0030165	Screw, Main Mixture	\$ 3.59	5
0030166	Screw, Main Mixture	\$ 3.34	5
0030167	Screw, Main Mixture	\$ 2.99	5
0030168	Screw, Main Mixture	\$ 2.67	5
0030169	Screw, Main Mixture	\$ 2.87	5
0030170	Screw, Main Mixture	\$ 2.87	5
0030171	Screw, Main Mixture	\$ 2.87	5
0030172	Screw, Main Mixture	\$ 3.59	5
0030173	Screw, Main Mixture	\$ 3.34	5
0030174	Screw, Main Mixture	\$ 3.34	5
0030176	Screw, Main Mixture	\$ 3.49	5
0030177	Screw, Main Mixture	\$ 3.49	5
0030179	Screw, Main Mixture	\$ 3.49	5
0030180	Screw, Main Mixture	*	
0030181	Screw, Main Mixture	\$ 3.48	5
0030182	Screw, Main Mixture	\$ 3.48	5
0030183	Screw, Main Mixture	\$ 3.34	5
0030185	Screw, Main Mixture	*	
0030186	Screw, Main Mixture	\$ 3.49	5

PRICE LIST

PARTS

PART NUMBER	DESCRIPTION	LIST PRICE	QTY
0030187	Screw, Main Mixture	\$ 3.48	5
0030188	Screw, Main Mixture	\$ 3.48	5
0030189	Screw, Main Mixture	\$ 3.48	5
0030190	Screw, Main Mixture	\$ 3.24	5
0030191	Screw, Main Mixture	\$ 3.49	5
0030192	Screw, Main Mixture	*	
0030193	Screw, Main Mixture	\$ 3.48	5
0030194	Screw, Main Mixture	\$ 3.48	5
0030195	Screw, Main Mixture	\$ 3.48	5
0030196	Screw, Main Mixture	*	
0030197	Screw, Main Mixture	\$ 3.48	5
0030199	Screw, Main Mixture	\$ 3.48	5
0030200	Screw, Main Mixture	*	
0030201	Screw, Main Mixture	\$ 3.48	5
0030202	Screw, Main Mixture	\$ 3.48	5
0030203	Screw, Main Mixture	\$ 3.48	5
0030204	Screw, Main Mixture	\$ 3.48	5
0030205	Screw, Main Mixture	\$ 3.48	5
0030206	Screw, Main Mixture	\$ 3.48	5
0030207	Screw, Main Mixture	\$ 3.48	5
0030209	Screw, Main Mixture	\$ 3.48	5
0030210	Screw, Main Mixture	\$ 3.48	5
0030211	Screw, Main Mixture	\$ 3.48	5
0030212	Screw, Main Mixture	\$ 3.48	5
0030213	Screw, Main Mixture	\$ 3.48	5
0030214	Screw, Main Mixture	\$ 3.48	5
0030216	Screw, Main Mixture	\$ 3.48	5
0030217	Screw, Main Mixture	\$ 3.48	5
0030218	Screw, Main Mixture	\$ 3.48	5
0030219	Screw, Main Mixture	\$ 3.48	5
0030221	Screw, Main Mixture	\$ 3.48	5
0030222	Screw, Main Mixture	\$ 3.48	5
0030226	Screw, Main Mixture	\$ 3.48	5
0030227	Screw, Main Mixture	*	
0030228	Screw, Main Mixture	\$ 3.48	5
0030229	Screw, Main Mixture	\$ 3.48	5
0030230	Screw, Main Mixture	*	
0030231	Screw, Main Mixture	*	
0030232	Screw, Main Mixture	*	
0030233	Screw, Main Mixture	*	
0030234	Screw, Main Mixture	\$ 3.48	5
0030235	Screw, Main Mixture	\$ 3.48	5
0030236	Screw, Main Mixture	\$ 3.48	5
0030237	Screw, Main Mixture	\$ 3.48	5
0030238	Screw, Main Mixture	\$ 3.48	5
0030239	Screw, Main Mixture	\$ 3.48	5
0030240	Screw, Main Mixture	\$ 3.48	5
0030241	Screw, Main Mixture	\$ 3.48	5
0030242	Screw, Main Mixture	*	
0030243	Screw, Main Mixture	\$ 3.48	5
0030244	Screw, Main Mixture	\$ 3.48	5
0030245	Screw, Main Mixture	*	
0030246	Screw, Main Mixture	*	
0030247	Screw, Main Mixture	*	
0030248	Screw, Main Mixture	\$ 3.48	5
0030249	Screw, Main Mixture	*	
0030250	Screw, Main Mixture	\$ 3.48	5
0030251	Screw, Main Mixture	\$ 3.48	5
0030252	Screw, Main Mixture	\$ 3.48	5
0030253	Screw, Main Mixture	*	
0030254	Screw, Main Mixture	\$ 3.48	5

PARTS

PART NUMBER	DESCRIPTION	LIST PRICE	QTY
0030258	Screw, Main Mixture	*	
0030260	Screw, Main Mixture	\$ 3.48	5
0030262	Screw, Main Mixture	*	
0030264	Screw, Main Mixture	*	
0030265	Screw, Main Mixture	\$ 3.48	5
0030266	Screw, Main Mixture	*	
0030268	Screw, Main Mixture	*	
0030269	Screw, Main Mixture	\$ 3.48	5
0030270	Screw, Main Mixture	\$ 3.48	5
0030271	Screw, Main Mixture	*	
0030272	Screw, Main Mixture	*	
0030273	Screw, Main Mixture	*	
0031003	Screw, Idle Mixture	\$ 2.06	5
0031006	Screw, Idle Mixture	\$ 2.06	5
0031013	Screw, Idle Mixture	\$ 1.77	5
0031018	Screw, Idle Mixture	\$ 1.97	5
0031023	Screw, Idle Mixture	\$ 2.11	5
0031028	Screw, Idle Mixture	\$ 1.97	5
0031030	Screw, Idle Mixture	\$ 3.41	5
0031031	Screw, Idle Mixture	\$ 5.33	5
0031032	Screw, Idle Mixture	\$ 3.59	5
0031033	Screw, Idle Mixture	\$ 2.11	5
0031034	Screw, Idle Mixture	\$ 3.19	5
0031039	Screw, Idle Mixture	\$ 3.59	5
0031040	Screw, Idle Mixture	\$ 3.93	5
0031041	Screw, Idle Mixture	\$ 2.19	5
0031043	Screw, Idle Mixture	\$ 3.19	5
0031046	Screw, Idle Mixture	\$ 3.93	5
0031052	Screw, Idle Mixture	\$ 2.19	5
0031054	Screw, Idle Mixture	\$ 3.59	5
0031056	Screw, Idle Mixture	\$ 3.59	5
0031058	Screw, Idle Mixture	\$ 3.19	5
0031059	Screw, Idle Mixture	\$ 2.19	5
0031062	Screw, Idle Mixture	\$ 2.67	5
0031074	Screw, Idle Mixture	\$ 2.58	5
0031075	Screw, Idle Mixture	\$ 2.31	5
0031079	Screw, Idle Mixture	\$ 3.21	5
0031081	Screw, Idle Mixture	\$ 2.67	5
0031089	Screw, Idle Mixture	\$ 3.19	5
0031090	Screw, Idle Mixture	\$ 3.19	5
0031091	Screw, Idle Mixture	\$ 3.21	5
0031095	Screw, Idle Mixture	\$ 2.67	5
0031100	Screw, Idle Mixture	\$ 2.11	5
0031104	Screw, Idle Mixture	\$ 2.67	5
0031105	Screw, Idle Mixture	\$ 2.67	5
0031106	Screw, Idle Mixture	\$ 2.67	5
0031107	Screw, Idle Mixture	\$ 2.67	5
0031110	Screw, Idle Mixture	\$ 2.67	5
0031111	Screw, Idle Mixture	\$ 2.58	5
0031112	Screw, Idle Mixture	\$ 2.67	5
0031133	Screw, Idle Mixture	\$ 2.67	5
0031134	Screw, Idle Mixture	\$ 2.67	5
0031140	Screw, Idle Mixture	\$ 2.67	5
0031143	Screw, Idle Mixture	\$ 2.67	5
0031144	Screw, Idle Mixture	\$ 2.67	5
0031146	Screw, Idle Mixture	\$ 2.67	5
0031151	Screw, Idle Mixture	\$ 2.67	5
0031152	Screw, Idle Mixture	\$ 3.19	5
0031154	Screw, Idle Mixture	\$ 3.48	5
0031156	Screw, Idle Mixture	\$ 3.19	5
0031157	Screw, Idle Mixture	\$ 3.48	5

* MUST BE PURCHASED FROM AN AUTHORIZED STIHL DISTRIBUTOR.

PRICE LIST

PARTS

PART NUMBER	DESCRIPTION	LIST PRICE	QTY
0031158	Screw, Idle Mixture	\$ 3.48	5
0031159	Screw, Idle Mixture	\$ 3.41	5
0031160	Screw, Idle Mixture	\$ 3.48	5
0031162	Screw, Idle Mixture	\$ 3.41	5
0031163	Screw, Idle Mixture	\$ 2.67	5
0031165	Screw, Idle Mixture	\$ 3.34	5
0031167	Screw, Idle Mixture	\$ 3.34	5
0031168	Screw, Idle Mixture	\$ 3.41	5
0031169	Screw, Idle Mixture	\$ 3.41	5
0031170	Screw, Idle Mixture	\$ 3.41	5
0031171	Screw, Idle Mixture	\$ 3.41	5
0031172	Screw, Idle Mixture	\$ 3.34	5
0031173	Screw, Idle Mixture	\$ 3.48	5
0031174	Screw, Idle Mixture	\$ 3.34	5
0031175	Screw, Idle Mixture	\$ 3.34	5
0031178	Screw, Idle Mixture	\$ 3.48	5
0031179	Screw, Idle Mixture	\$ 3.48	5
0031180	Screw, Idle Mixture	\$ 3.48	5
0031183	Screw, Idle Mixture	\$ 3.48	5
0031184	Screw, Idle Mixture	\$ 3.48	5
0031185	Screw, Idle Mixture	\$ 3.48	5
0031188	Screw, Idle Mixture	\$ 3.48	5
0031191	Screw, Idle Mixture	*	
0031192	Screw, Idle Mixture	\$ 3.48	5
0031193	Screw, Idle Mixture	\$ 3.48	5
0031195	Screw, Idle Mixture	\$ 3.48	5
0031196	Screw, Idle Mixture	\$ 3.48	5
0031197	Screw, Idle Mixture	\$ 3.48	5
0031198	Screw, Idle Mixture	\$ 3.48	5
0031199	Screw, Idle Mixture	\$ 3.48	5
0031200	Screw, Idle Mixture	\$ 3.49	5
0031204	Screw, Idle Mixture	\$ 3.48	5
0031206	Screw, Idle Mixture	\$ 3.48	5
0031207	Screw, Idle Mixture	\$ 3.48	5
0031209	Screw, Idle Mixture	\$ 3.48	5
0031210	Screw, Idle Mixture	\$ 3.48	5
0031212	Screw, Idle Mixture	\$ 3.48	5
0031213	Screw, Idle Mixture	\$ 3.48	5
0031214	Screw, Idle Mixture	\$ 3.48	5
0031215	Screw, Idle Mixture	\$ 3.48	5
0031216	Screw, Idle Mixture	\$ 3.48	5
0031219	Screw, Idle Mixture	\$ 3.48	5
0031220	Screw, Idle Mixture	\$ 3.48	5
0031221	Screw, Idle Mixture	\$ 3.48	5
0031222	Screw, Idle Mixture	*	
0031223	Screw, Idle Mixture	\$ 3.48	5
0031224	Screw, Idle Mixture	\$ 3.48	5
0031225	Screw, Idle Mixture	\$ 3.48	5
0031228	Screw, Idle Mixture	\$ 3.48	5
0031229	Screw, Idle Mixture	\$ 3.48	5
0031230	Screw, Idle Mixture	\$ 3.48	5
0031231	Screw, Idle Mixture	*	
0031233	Screw, Idle Mixture	\$ 3.48	5
0031236	Screw, Idle Mixture	\$ 3.48	5
0031237	Screw, Idle Mixture	\$ 3.48	5
0031239	Screw, Idle Mixture	\$ 3.48	5
0031240	Screw, Idle Mixture	\$ 3.48	5
0031241	Screw, Idle Mixture	\$ 3.48	5
0031242	Screw, Idle Mixture	*	
0031243	Screw, Idle Mixture	\$ 3.48	5
0031244	Screw, Idle Mixture	\$ 3.48	5

PARTS

PART NUMBER	DESCRIPTION	LIST PRICE	QTY
0031248	Screw, Idle Mixture	\$ 3.48	5
0031251	Screw, Idle Mixture	\$ 3.48	5
0031255	Screw, Idle Mixture	\$ 3.48	5
0031256	Screw, Idle Mixture	*	
0031257	Screw, Idle Mixture	\$ 3.48	5
0031258	Screw, Idle Mixture	\$ 3.48	5
0031259	Screw, Idle Mixture	\$ 3.48	5
0031263	Screw, Idle Mixture	\$ 3.48	5
0031264	Screw, Idle Mixture	\$ 3.48	5
0031265	Screw, Idle Mixture	*	
0031266	Screw, Idle Mixture	\$ 3.48	5
0035007	Screw, Throttle Adjust	\$ 0.70	10
0035009	Screw, Throttle Adjust	\$ 2.05	10
0035011	Screw, Throttle Adjust	\$ 2.14	10
0035014	Screw, Throttle Adjust	\$ 2.14	10
0035016	Screw, Throttle Adjust	\$ 2.05	10
0035017	Screw, Throttle Adjust	\$ 2.51	10
0035020	Screw, Throttle Adjust	\$ 2.05	10
0035022	Screw, Throttle Adjust	\$ 2.05	10
0035023	Screw, Throttle Adjust	\$ 2.05	10
0035024	Screw, Throttle Adjust	\$ 2.05	10
0035026	Screw, Throttle Adjust	\$ 2.67	10
0035029	Screw, Throttle Adjust	\$ 2.05	10
0035030	Screw, Throttle Adjust	\$ 2.33	10
0035031	Screw, Throttle Adjust	\$ 0.70	10
0035033	Screw, Throttle Adjust	\$ 2.05	10
0035035	Screw, Throttle Adjust	\$ 2.33	10
0035036	Screw, Throttle Adjust	\$ 2.67	10
0035037	Screw, Throttle Adjust	\$ 2.14	10
0035058	Screw, Throttle Adjust	\$ 2.33	10
0035060	Screw, Throttle Adjust	\$ 2.10	10
0035062	Screw, Throttle Adjust	\$ 2.67	10
0035064	Screw, Air Adjust	\$ 3.24	10
0035065	Screw, Throttle Adjust	\$ 3.24	10
0035066	Screw, Air Adjust	\$ 3.24	10
0035067	Screw, Throttle Adjust	\$ 3.24	10
0035069	Screw, Air Adjust	\$ 3.24	10
0035070	Screw, Throttle Adjust	\$ 3.24	10
0035072	Screw, Throttle Adjust	\$ 3.24	10
0035073	Screw, Throttle Adjust	\$ 3.24	10
0035075	Screw, Throttle Adjust	\$ 3.24	10
0035079	Screw, Throttle Adjust	\$ 3.24	10
0035080	Screw, Throttle Adjust	\$ 3.24	10
0035081	Screw, Throttle Adjust	\$ 3.24	10
0035082	Screw, Air Adjust	\$ 3.24	10
0036001	Piece, Friction	\$ 0.84	10
0036002	Use 0036001		
0037002	Retainer, Pump Diaphragm	\$ 1.53	10
0037003	Retainer, Pump Diaphragm	\$ 1.14	10
0037004	Retainer, Pump Diaphragm	\$ 1.36	10
0038001	Spring, Choke	\$ 0.53	10
0038002	Spring, Choke	\$ 0.66	10
0041003	Shaft, Choke	\$ 2.68	1
0041009	Shaft, Choke	\$ 3.56	1
0041015	Shaft, Choke	\$ 4.43	1
0041024	Shaft, Choke	\$ 3.56	1
0041028	Shaft, Choke	\$ 3.56	1
0041035	Shaft, Choke	\$ 3.56	1
0041039	Shaft, Choke	\$ 4.62	1
0041042	Shaft, Choke	\$ 4.62	1
0041043	Use 0041081		

PRICE LIST

PARTS

PART NUMBER	DESCRIPTION	LIST PRICE	QTY
0041047	Shaft, Choke	\$ 4.08	1
0041051	Shaft, Choke	\$ 4.62	1
0041076	Shaft, Choke	\$ 4.62	1
0041077	Shaft, Choke	\$ 4.62	1
0041078	Shaft, Choke	\$ 4.08	1
0041081	Shaft, Choke	\$ 4.08	1
0041088	Shaft, Choke	\$ 4.44	1
0041095	Shaft, Choke	\$ 4.08	1
0041096	Shaft, Choke	\$ 4.44	1
0041097	Shaft, Choke	\$ 4.44	1
0041098	Shaft, Choke	\$ 4.44	1
0041102	Shaft, Choke	\$ 4.44	1
0041107	Shaft, Choke	\$ 4.44	1
0041113	Shaft, Choke	\$ 4.44	1
0041114	Shaft, Yellow Choke	\$ 4.44	1
0041115	Shaft, Choke	\$ 4.44	1
0041120	Shaft, Choke	\$ 4.44	1
0041128	Shaft, Choke	\$ 4.44	1
0041134	Shaft, Choke	\$ 4.44	1
0041137	Shaft, Choke	\$ 4.44	1
0041140	Shaft, Choke	\$ 4.44	1
0041141	Shaft, Choke	\$ 4.44	1
0041148	Shaft, Choke	\$ 4.44	1
0041156	Shaft, Choke	\$ 4.44	1
0041162	Shaft, Choke	\$ 4.44	1
0041163	Shaft, Choke	\$ 4.44	1
0041165	Shaft, Choke	\$ 4.44	1
0042022	Lever, Choke	\$ 0.75	5
0042040	Lever, Choke	\$ 0.75	5
0042055	Lever, Choke	\$ 0.75	5
0042078	Lever, Choke	\$ 0.75	5
0042081	Lever, Choke	\$ 0.75	5
0042083	Lever, Choke	\$ 1.27	5
0042084	Lever, Choke Actuator	\$ 1.34	5
0042087	Lever, Choke	\$ 1.27	5
0042088	Lever, Choke	\$ 1.27	5
0042090	Lever, Choke Actuator	\$ 1.16	5
0042091	Lever, Choke	*	
0042092	Lever, Choke	\$ 1.27	5
0042094	Lever, Choke	\$ 1.27	5
0042097	Lever, Choke	\$ 1.34	5
0042098	Lever, Choke	\$ 1.27	5
0042100	Lever, Choke	\$ 1.34	5
0042101	Lever, Choke	*	
0042103	Lever, Choke	\$ 1.34	5
0042105	Lever, Choke Actuator	\$ 1.34	5
0042111	Lever, Fast Idle	\$ 1.34	5
0042113	Lever, Choke	\$ 1.34	5
0042116	Lever, Choke	\$ 1.34	5
0042117	Lever, Choke	*	
0042118	Lever, Choke	\$ 1.34	5
0042120	Lever, Choke	\$ 1.34	5
0042124	Lever, Choke	\$ 1.34	5
0042127	Lever, Choke	\$ 1.34	5
0042128	Lever, Choke	\$ 1.34	5
0042130	Lever, Choke	\$ 1.34	5
0042131	Lever, Choke	\$ 1.34	5
0042132	Lever, Choke Actuator	\$ 1.34	5
0042134	Lever, Choke	\$ 1.27	5
0042135	Lever, Choke	*	
0042137	Lever, Choke	\$ 1.34	5

PARTS

PART NUMBER	DESCRIPTION	LIST PRICE	QTY
0042140	Lever, Choke	\$ 1.34	5
0042144	Lever, Choke	\$ 1.34	5
0042146	Lever, Choke	\$ 1.34	5
0042148	Lever, Choke	*	
0042149	Lever, Choke Actuator	\$ 1.34	5
0042152	Lever, Fast Idle	\$ 1.34	5
0042154	Lever, Choke	\$ 1.34	5
0042157	Lever, Choke	\$ 1.34	5
0042159	Lever, Choke	\$ 1.34	5
0042160	Lever, Choke	\$ 1.34	5
0042162	Lever, Choke	\$ 1.34	5
0042164	Lever, Choke	\$ 1.34	5
0042169	Lever, Choke	*	
0042171	Lever, Choke	\$ 1.34	5
0042172	Lever, Choke	\$ 1.34	5
0042173	Lever, Choke	\$ 1.34	5
0042175	Lever, Choke Actuator	\$ 1.34	5
0042177	Lever, Choke	*	
0042178	Lever, Choke Actuator	\$ 1.34	5
0042179	Lever, Choke	*	
0042182	Lever, Choke	\$ 1.34	5
0042183	Lever, Choke Fast Idle	\$ 1.34	5
0042187	Lever, Choke Actuator	\$ 1.34	5
0042188	Lever, Choke Actuator	\$ 1.34	5
0042193	Lever, Choke	\$ 1.34	5
0042196	Lever, Choke Actuator	\$ 1.34	5
0042200	Lever, Choke	\$ 1.35	5
0042702	Lever, Choke	\$ 1.34	5
0043001	Valve, Choke	\$ 0.73	5
0043007	Valve, Choke	\$ 0.63	5
0043008	Valve, Choke	\$ 0.60	5
0043009	Valve, Choke	\$ 1.66	5
0043010	Valve, Choke	\$ 0.67	5
0043011	Valve, Choke	\$ 0.81	5
0043012	Valve, Choke	\$ 1.34	5
0043014	Valve, Choke	\$ 1.30	5
0043015	Valve, Choke	\$ 1.38	5
0043016	Valve, Choke	\$ 1.36	5
0043017	Valve, Choke	\$ 1.36	5
0043018	Valve, Choke	\$ 1.10	5
0043019	Valve, Choke	\$ 0.75	5
0043021	Valve, Choke	\$ 1.38	5
0043022	Valve, Choke	\$ 1.38	5
0043025	Valve, Choke	\$ 1.38	5
0043026	Valve, Choke	\$ 1.38	5
0043027	Valve, Choke	\$ 0.91	5
0043028	Valve, Choke	\$ 0.75	5
0043049	Valve, Choke	*	
0043050	Valve, Choke	*	
0043051	Valve, Choke	\$ 1.38	5
0043053	Valve, Choke	\$ 1.38	5
0043054	Valve, Choke	\$ 1.38	5
0043055	Valve, Choke	\$ 1.38	5
0043056	Valve, Choke	\$ 1.38	5
0043057	Valve, Choke	\$ 1.38	5
0043058	Valve, Choke	\$ 1.10	5
0043059	Valve, Choke	\$ 1.38	5
0043060	Valve, Choke	*	
0043061	Valve, Choke	\$ 1.38	5
0043063	Valve, Choke	\$ 1.38	5
0043064	Valve, Choke	\$ 1.38	5

* MUST BE PURCHASED FROM AN AUTHORIZED STIHL DISTRIBUTOR.

PRICE LIST

PARTS				PARTS			
PART NUMBER	DESCRIPTION	LIST PRICE	QTY	PART NUMBER	DESCRIPTION	LIST PRICE	QTY
0043065	Valve, Choke	\$ 1.38	5	0053052	Plunger	\$ 1.31	10
0043067	Valve, Choke	\$ 1.38	5	0053053	Plunger	\$ 1.31	10
0043069	Valve, Choke	\$ 1.38	5	0053061	Plunger	\$ 1.31	10
0043071	Valve, Choke	\$ 1.38	5	0053062	Plunger	\$ 1.31	10
0043074	Valve, Choke	\$ 1.38	5	0053063	Plunger	\$ 1.31	10
0043075	Valve, Choke	\$ 1.38	5	0053065	Plunger	\$ 1.31	10
0043078	Valve, Choke	\$ 1.38	5	0053067	Plunger	\$ 1.31	10
0043079	Valve, Choke	\$ 1.38	5	0054001	Spring	\$ 0.38	10
0045002	Post	\$ 2.06	5	0054002	Spring	\$ 0.38	10
0045003	Post	\$ 1.76	5	0054004	Discontinued	\$ -	
0045004	Post	\$ 3.15	5	0054010	Spring, Choke Return	\$ 0.38	10
0045010	Post	\$ 1.76	5	0054012	Spring, Conical	\$ 1.25	10
0045011	Post	\$ 2.55	5	0054025	Spring, Plunger Return	\$ 0.56	10
0045012	Post	\$ 2.20	5	0054051	Spring	\$ 1.06	10
0045036	Post	*		0054055	Spring, Plunger Return	\$ 1.25	10
0045037	Post	\$ 2.48	5	0054056	Spring, Pump	\$ 1.25	10
0045038	Post	\$ 3.15	5	0054057	Spring, Plunger Return	\$ 1.25	10
0045040	Post	\$ 2.48	5	0054059	Spring	\$ 1.25	10
0045043	Post	\$ 3.08	5	0054065	Spring, Plunger Return	\$ 1.25	10
0045044	Post	\$ 3.08	5	0054066	Spring, Plunger Return	\$ 1.25	10
0045047	Post	*		0054068	Spring, Retainer	\$ 1.25	10
0045050	Post	\$ 3.08	5	0057001	Use 0057004		
0045054	Post	\$ 3.08	5	0057003	Syringe	\$ 1.72	10
0049001	Body, Pump	\$ 2.61	1	0057004	Syringe	\$ 1.72	10
0049002	Body, Pump	\$ 5.94	1	0057025	Syringe, Red	\$ 1.88	10
0049003	Body, Pump	\$ 5.94	1	0058001	Screw	\$ 0.86	10
0051004	Boot	\$ 1.39	5	0058022	Screw	\$ 0.86	10
0051005	Boot	\$ 1.39	5	0061001	Limiter, Mixture	\$ 0.51	10
0051027	Boot	\$ 1.39	5	0061002	Limiter, Mixture	\$ 0.51	10
0052001	Collar	\$ 0.58	5	0061003	Limiter (H)	\$ 0.75	10
0052004	Collar	\$ 0.58	5	0061004	Discontinued		
0052005	Collar	\$ 0.58	5	0061005	Limiter (H)	\$ 0.98	10
0052007	Collar	\$ 0.58	5	0061006	Limiter (L)	\$ 0.98	10
0052008	Collar	\$ 0.58	5	0061007	Limiter (H)	\$ 0.98	10
0052009	Collar	\$ 0.58	5	0061009	Limiter (H)	\$ 0.92	10
0052010	Collar	\$ 0.58	5	0061010	Limiter (L)	\$ 0.98	10
0052011	Collar	\$ 0.58	5	0061015	Limiter (H)	\$ 0.98	10
0052013	Collar	\$ 0.58	5	0061016	Limiter (L)	\$ 0.98	10
0052014	Collar	\$ 0.58	5	0061017	Limiter (L)	\$ 0.98	10
0052015	Collar	\$ 0.58	5	0061025	Limiter (H)	\$ 0.98	10
0052017	Collar	\$ 0.58	5	0061026	Limiter (L)	\$ 0.98	10
0052019	Collar	\$ 0.58	5	0061027	Limiter (H)	\$ 0.98	10
0052020	Collar	\$ 0.58	5	0061028	Limiter (L)	\$ 0.98	10
0052021	Collar	\$ 0.58	5	0061029	Limiter (L)	*	
0052702	Collar	\$ 0.58	5	0061030	Limiter (H)	*	
0053001	Plunger	\$ 1.12	10	0061051	Limiter (H)	\$ 1.08	10
0053003	Plunger	\$ 1.12	10	0061053	Limiter Tamper Resist	*	
0053004	Plunger	\$ 1.12	10	0061054	Limiter Tamper Resist	*	
0053005	Plunger	\$ 1.31	10	0061055	Limiter Tamper Resist	*	
0053008	Plunger	\$ 1.31	10	0061056	Limiter Tamper Resist	\$ 0.98	10
0053009	Plunger	\$ 1.31	10	0061057	Limiter Tamper Resist	*	
0053030	Plunger	\$ 1.31	10	0061058	Limiter Tamper Resist	\$ 0.98	10
0053033	Plunger	\$ 1.31	10	0061059	Limiter Tamper Resist	\$ 0.98	10
0053034	Plunger	\$ 1.31	10	0061060	Limiter Tamper Resist	\$ 0.98	10
0053039	Plunger	\$ 1.31	10	0061062	Limiter Tamper Resist	\$ 0.98	10
0053041	Plunger	\$ 1.31	10	0061063	Limiter Tamper Resist	\$ 0.98	10
0053042	Plunger	\$ 1.31	10	0061064	Limiter Tamper Resist	\$ 0.98	10
0053044	Plunger	\$ 1.31	10	0061067	Limiter Tamper Resist	\$ 0.98	10
0053046	Plunger	\$ 1.31	10	0061074	Limiter Tamper Resist	*	
0053047	Plunger	\$ 1.31	10	0063026	Rod Linkage	\$ 0.50	1
0053049	Plunger	\$ 1.31	10	0063027	Rod Linkage	\$ 0.50	1

PRICE LIST

PARTS

PART NUMBER	DESCRIPTION	LIST PRICE	QTY
0063028	Rod Linkage	\$ 0.50	1
0063030	Rod Linkage	\$ 0.50	1
0063701	Rod Linkage Airhead	\$ 0.50	1
0070039	Jet, Remote (0.34)	\$ 1.58	1
0070040	Jet, Remote (0.35)	\$ 1.65	1
0070042	Jet, Remote (0.37)	\$ 1.65	1
0070066	Jet, Remote (0.26)	\$ 1.65	1
0070070	Jet, Remote (0.30)	\$ 1.55	1
0070072	Jet, Remote (0.32)	\$ 1.65	1
0070073	Jet, Remote (0.33)	\$ 1.55	1
0070074	Jet, Remote (0.36)	\$ 1.55	1
0070076	Jet, Remote (0.39)	\$ 1.65	1
0070077	Jet, Remote (0.40)	\$ 1.65	1
0070078	Jet, Remote (0.41)	\$ 1.65	1
0070079	Jet, Remote (0.42)	\$ 1.65	1
0070080	Jet, Remote (0.43)	\$ 1.65	1
0070081	Jet, Remote (0.44)	\$ 1.65	1
0070082	Jet, Remote (0.45)	\$ 1.55	1
0070083	Jet, Remote (0.46)	\$ 1.55	1
0070084	Jet, Remote (0.47)	\$ 1.55	1
0070085	Use 0070089		
0070086	Jet, Remote	\$ 1.55	1
0070087	Jet, Remote (0.50)	\$ 1.55	1
0070089	Jet, Remote (0.52)	\$ 1.65	1
0070112	Jet, Remote	\$ 1.65	1
0070114	Jet, Remote	\$ 1.65	1
0070116	Jet, Remote	\$ 1.65	1
0070131	Jet, Remote	\$ 1.65	1
0070132	Jet, Remote	\$ 1.65	1
0070133	Jet, Remote	\$ 1.65	1
0077001	Nut, Cable	\$ 2.25	1
0080002	Screw, Wire Adjust	\$ 2.25	1
0080003	Screw, Wire Adjust	\$ 2.25	1
0080004	Screw, Wire Adjust	\$ 2.25	1
0080005	Screw, Wire Adjust	\$ 2.25	1
0080006	Screw, Wire Adjust	\$ 2.25	1
0080008	Screw, Wire Adjust	\$ 2.25	1
0080009	Screw, Wire Adjust	\$ 2.25	1
0080010	Screw, Wire Adjust	\$ 2.25	1
0080012	Screw, Wire Adjust	\$ 2.25	1
0082001	Roller Guide	\$ 1.03	1
0082002	Roller Guide	\$ 1.03	1
0082003	Roller Guide	\$ 1.03	1
0088003	Body, Air Cleaner	\$ 18.25	1
0088018	Body, Airhead	\$ 3.20	1
0089002	Rod Starter	\$ 3.06	1
0089004	Rod Starter	\$ 3.06	1
0089009	Rod Starter	\$ 3.06	1
9016028	Intake Gasket	\$ 0.73	10
9016051	Intake Gasket	\$ 0.94	10
9016060	Intake Gasket	\$ 0.74	10
9016068	Intake Gasket	\$ 0.74	10
9016121	Intake Gasket	\$ 0.80	10
9016122	Intake Gasket	\$ 0.75	10
9016124	Intake Gasket	\$ 0.77	10
9016141	Intake Gasket	\$ 0.88	10
9016147	Intake Gasket	\$ 0.88	10
9016176	Intake Gasket	\$ 0.88	10
9016320	Intake Gasket	\$ 0.88	10
9016355	Intake Gasket	\$ 1.09	10
9016450	Intake Gasket	\$ 0.88	10

PARTS

PART NUMBER	DESCRIPTION	LIST PRICE	QTY
9016544	Intake Gasket	\$ 1.11	10
9016647	Intake Gasket	\$ 1.05	10
9016675	Intake Gasket	\$ 1.08	10
9016756	Intake Gasket	\$ 1.02	10
9016910	Intake Gasket	\$ 0.88	10
9016987	Intake Gasket	\$ 1.04	10
14803006	Screw	\$ 0.37	10
14902509	Screw	\$ 0.37	10
14903006	Screw	\$ 0.37	10
14903008	Screw, Throttle Adjust	\$ 0.37	10
14903010	Screw, Airhead	\$ 0.37	10
14904010	Screw, Pump Cover	\$ 0.37	10
149025055	Screw	\$ 0.37	10
149030055	Screw, Metering Pin	\$ 0.37	10
15603004	Screw	\$ 0.50	10
156030045	Screw	\$ 0.51	10
156030055	Screw	\$ 0.52	10
15702545	Screw, Throttle Valve	\$ 0.60	10
157025045	Screw	\$ 0.60	10
16103005	Screw	\$ 0.55	10
16103008	Screw	\$ 0.74	10
16103012	Screw	\$ 0.74	10
16103014	Screw	\$ 0.74	10
16104010	Screw	\$ 0.74	10
16104022	Screw	\$ 0.74	10
16104024	Screw	\$ 0.74	10
16105006	Screw	\$ 0.74	10
161025003	Screw	\$ 0.74	10
161029055	Screw	\$ 0.74	10
16303008	Screw	\$ 0.37	10
16303520	Screw	\$ 0.65	10
16304008	Screw	\$ 0.50	10
16304018	Screw	\$ 0.74	10
16403006	Screw	\$ 0.66	10
16503006	Screw	\$ 0.80	10
17002504	Screw	\$ 0.39	10
170025045	Screw	\$ 0.39	10
17004010	Screw	\$ 0.39	10
17014010	Screw	\$ 0.39	10
17103004	Screw	\$ 0.37	10
17103007	Screw	\$ 0.37	10
17103008	Screw	\$ 0.37	10
17103009	Screw, Metering Cover	\$ 0.37	10
17103011	Screw	\$ 0.60	10
17103012	Use 17203012		
17103015	Screw	\$ 0.60	10
17103017	Screw	\$ 0.45	10
17104009	Screw	\$ 0.39	10
17104010	Screw	\$ 0.60	10
17104012	Screw	\$ 0.39	10
17104015	Screw	\$ 0.56	10
17104023	Screw, Pump Cover	\$ 0.60	10
17124015	Screw, Pump Cover	*	
17203006	Screw	\$ 0.39	10
17203007	Screw, Metering Cover	\$ 0.56	10
17203009	Screw	\$ 0.39	10
17203012	Screw (Retainer)	\$ 0.37	10
17203015	Screw	\$ 0.39	10
17203021	Screw	\$ 0.39	10
172030135	Screw	\$ 0.56	10
17404012	Screw, Pump Cover	\$ 0.75	10

PRICE LIST

PARTS

PART NUMBER	DESCRIPTION	LIST PRICE	QTY
17502604	Screw	\$ 0.75	10
19290030	Ball, Steel	\$ 0.51	10
19290040	Ball, Steel	\$ 0.51	10
19500019	E-Ring	\$ 0.38	10
19500020	E-Ring	\$ 0.37	10
19500024	E-Ring	\$ 0.37	10
19500025	E-Ring	\$ 0.37	10
19500030	E-Ring	\$ 0.37	10
19500035	E-Ring	\$ 0.38	10
19500040	E-Ring	\$ 0.38	10
19510040	E-Ring	\$ 0.37	10
19520120	C-Ring	\$ 1.91	10
195502010	O-Ring	\$ 2.18	10
195502308	O-Ring	\$ 2.18	10
195502309	O-Ring	\$ 2.18	10
195503010	O-Ring	\$ 2.18	10
195503510	O-Ring, Plunger	\$ 2.18	10
195503515	O-Ring	\$ 2.18	10
195505015	O-Ring	\$ 2.18	10
195505178	Quad Ring	\$ 2.18	10
195507015	O-Ring	\$ 2.18	10
195519005	O-Ring	\$ 2.18	10
195602308	O-Ring	\$ 2.18	10
195702308	O-Ring	\$ 2.18	10
195703010	O-Ring	\$ 2.18	10
195703510	O-Ring	\$ 2.18	10
195704010	O-Ring	*	
A007009E	Nozzle Ass'y, Check Valve	\$ 2.11	5
A007010	Nozzle Ass'y, Check Valve	\$ 1.84	5
A007011	Nozzle Ass'y, Check Valve	\$ 2.27	5
A007013	Nozzle Ass'y, Check Valve	\$ 1.86	5
A007019	Nozzle Ass'y, Check Valve	\$ 3.25	5
A007022	Nozzle Ass'y, Check Valve	\$ 2.64	5
A007023	Nozzle Ass'y, Check Valve	\$ 2.27	5
A007025	Nozzle Ass'y, Check Valve	\$ 3.25	5
A007026	Nozzle Ass'y, Check Valve	\$ 2.64	5
A007027	Nozzle Ass'y, Check Valve	\$ 2.27	5
A007028	Nozzle Ass'y, Check Valve	\$ 2.27	5
A007029	Nozzle Ass'y, Check Valve	\$ 2.64	5
A007030	Nozzle Ass'y, Check Valve	\$ 2.27	5
A007032	Nozzle Ass'y, Check Valve	\$ 2.64	5
A007033	Nozzle Ass'y, Check Valve	\$ 2.64	5
A007036	Nozzle Ass'y, Check Valve	\$ 2.48	5
A007037	Nozzle Ass'y, Check Valve	\$ 2.37	5
A007039	Nozzle Ass'y, Check Valve	\$ 2.37	5
A007042	Nozzle Ass'y, Check Valve	\$ 2.37	5
A007045	Nozzle Ass'y, Check Valve	\$ 2.64	5
A007048	Nozzle Ass'y, Check Valve	\$ 2.64	5
A007051	Nozzle Ass'y, Check Valve	\$ 5.07	5
A007053	Nozzle Ass'y, Check Valve	\$ 5.27	5
A007055	Nozzle Ass'y, Check Valve	\$ 5.07	5
A007056	Nozzle Ass'y, Check Valve	\$ 2.47	5
A007057	Nozzle Ass'y, Check Valve	\$ 2.47	5
A007059	Nozzle Ass'y, Check Valve	\$ 2.37	5
A007060	Nozzle Ass'y, Check Valve	\$ 2.47	5
A007062	Nozzle Ass'y, Check Valve	\$ 2.64	5
A007063	Nozzle Ass'y, Check Valve	\$ 2.37	5
A007064	Nozzle Ass'y, Check Valve	\$ 3.41	5
A007066	Nozzle Ass'y, Check Valve	\$ 2.52	5
A007067	Nozzle Ass'y, Check Valve	\$ 2.52	5
A007068	Nozzle Ass'y, Check Valve	\$ 2.52	5

PARTS

PART NUMBER	DESCRIPTION	LIST PRICE	QTY
A007075	Nozzle Ass'y, Check Valve	\$ 2.52	5
A007077	Nozzle Ass'y, Check Valve	\$ 2.64	5
A007079	Nozzle Ass'y, Check Valve	\$ 2.52	5
A007080	Nozzle Ass'y, Check Valve	\$ 2.64	5
A007082	Nozzle Ass'y, Check Valve	\$ 2.64	5
A007103	Nozzle Ass'y, Check Valve	\$ 2.64	5
A007107	Nozzle Ass'y, Check Valve	\$ 2.64	5
A007109	Nozzle Ass'y, Check Valve	\$ 2.64	5
A007110	Nozzle Ass'y, Check Valve	\$ 3.52	5
A007112	Nozzle Ass'y, Check Valve	\$ 2.64	5
A007114	Nozzle Ass'y, Check Valve	\$ 2.52	5
A007115	Nozzle Ass'y, Check Valve	\$ 2.64	5
A007117	Nozzle Ass'y, Check Valve	\$ 3.41	5
A007119	Nozzle Ass'y, Check Valve	\$ 3.41	5
A007120	Nozzle Ass'y, Check Valve	\$ 3.41	5
A007121	Nozzle Ass'y, Check Valve	\$ 3.41	5
A007122	Nozzle Ass'y, Check Valve	\$ 3.70	5
A007123	Nozzle Ass'y, Check Valve	\$ 2.64	5
A007126	Nozzle Ass'y, Check Valve	\$ 2.64	5
A007129	Nozzle Ass'y, Check Valve	\$ 2.64	5
A007132	Nozzle Ass'y, Check Valve	\$ 3.70	5
A007133	Nozzle Ass'y, Check Valve	\$ 3.70	5
A007135	Nozzle Ass'y, Check Valve	\$ 3.70	5
A007136	Nozzle Ass'y, Check Valve	\$ 3.70	5
A007137	Nozzle Ass'y, Check Valve	\$ 3.29	5
A007138	Nozzle Ass'y, Check Valve	\$ 3.29	5
A007139	Nozzle Ass'y, Check Valve	\$ 3.70	5
A007142	Nozzle Ass'y, Check Valve	\$ 3.70	5
A007143	Nozzle Ass'y, Check Valve	\$ 3.56	5
A007144	Nozzle Ass'y, Check Valve	\$ 3.41	5
A007145	Nozzle Ass'y, Check Valve	\$ 2.52	5
A007146	Nozzle Ass'y, Check Valve	\$ 2.64	5
A007147	Nozzle Ass'y, Check Valve	\$ 2.52	5
A007148	Nozzle Ass'y, Check Valve	\$ 2.52	5
A007149	Nozzle Ass'y, Check Valve	\$ 2.52	5
A007150	Nozzle Ass'y, Check Valve	\$ 2.64	5
A007151	Nozzle Ass'y, Check Valve	\$ 2.52	5
A007152	Nozzle Ass'y, Check Valve	\$ 3.41	5
A007153	Nozzle Ass'y, Check Valve	\$ 3.70	5
A007154	Nozzle Ass'y, Check Valve	\$ 3.41	5
A007155	Nozzle Ass'y, Check Valve	\$ 3.41	5
A007156	Nozzle Ass'y, Check Valve	\$ 3.70	5
A007157	Nozzle Ass'y, Check Valve	\$ 3.56	5
A007158	Nozzle Ass'y, Check Valve	\$ 3.70	5
A007162	Nozzle Ass'y, Check Valve	\$ 3.70	5
A007163	Nozzle Ass'y, Check Valve	\$ 2.64	5
A007164	Nozzle Ass'y, Check Valve	\$ 3.70	5
A007165	Nozzle Ass'y, Check Valve	\$ 3.70	5
A007166	Nozzle Ass'y, Check Valve	\$ 3.29	5
A007167	Nozzle Ass'y, Check Valve	\$ 3.70	5
A007168	Nozzle Ass'y, Check Valve	\$ 3.70	5
A007169	Nozzle Ass'y, Check Valve	\$ 3.70	5
A007170	Nozzle Ass'y, Check Valve	\$ 3.70	5
A007175	Nozzle Ass'y, Check Valve	\$ 3.70	5
A007176	Nozzle Ass'y, Check Valve	\$ 3.70	5
A007179	Nozzle Ass'y, Check Valve	\$ 3.70	5
A007180	Nozzle Ass'y, Check Valve	\$ 3.70	5
A007181	Use A007193		
A007183	Nozzle Ass'y, Check Valve	\$ 3.70	5
A007185	Nozzle Ass'y, Check Valve	\$ 3.70	5
A007186	Nozzle Ass'y, Check Valve	\$ 3.70	5

PRICE LIST

PARTS

PART NUMBER	DESCRIPTION	LIST PRICE	QTY
A007187	Nozzle Ass'y, Check Valve	\$ 3.70	5
A007188	Nozzle Ass'y, Check Valve	\$ 3.70	5
A007189	Nozzle Ass'y, Check Valve	\$ 3.70	5
A007190	Nozzle Ass'y, Check Valve	\$ 3.70	5
A007191	Nozzle Ass'y, Check Valve	\$ 3.70	5
A007193	Nozzle Ass'y, Check Valve	\$ 3.70	5
A007194	Nozzle Ass'y, Check Valve	\$ 3.70	5
A007196	Nozzle Ass'y, Check Valve	\$ 3.70	5
A007197	Nozzle Ass'y, Check Valve	\$ 3.70	5
A007198	Nozzle Ass'y, Check Valve	\$ 3.70	5
A007199	Nozzle Ass'y, Check Valve	\$ 3.70	5
A007200	Nozzle Ass'y, Check Valve	\$ 3.70	5
A007201	Nozzle Ass'y, Check Valve	\$ 3.70	5
A007202	Nozzle Ass'y, Check Valve	\$ 3.70	5
A007203	Nozzle Ass'y, Check Valve	\$ 3.70	5
A007204	Nozzle Ass'y, Check Valve	\$ 3.70	5
A007206	Nozzle Ass'y, Check Valve	\$ 3.70	5
A007207	Nozzle Ass'y, Check Valve	\$ 3.70	5
A007208	Nozzle Ass'y, Check Valve	\$ 3.70	5
A007210	Nozzle Ass'y, Check Valve	\$ 3.70	5
A007211	Nozzle Ass'y, Check Valve	\$ 3.70	5
A007212	Nozzle Ass'y, Check Valve	\$ 3.70	5
A007213	Nozzle Ass'y, Check Valve	\$ 3.70	5
A007214	Nozzle Ass'y, Check Valve	\$ 3.70	5
A007218	Nozzle Ass'y, Check Valve	\$ 3.70	5
A007219	Nozzle Ass'y, Check Valve	\$ 3.70	5
A007220	Nozzle Ass'y, Check Valve	\$ 3.70	5
A007222	Nozzle Ass'y, Check Valve	\$ 3.70	5
A007223	Nozzle Ass'y, Check Valve	\$ 3.70	5
A007227	Nozzle Ass'y, Check Valve	\$ 3.70	5
A007228	Nozzle Ass'y, Check Valve	\$ 3.70	5
A007229	Nozzle Ass'y, Check Valve	\$ 3.70	5
A007230	Nozzle Ass'y, Check Valve	\$ 3.70	5
A007231	Nozzle Ass'y, Check Valve	\$ 3.70	5
A007232	Nozzle Ass'y, Check Valve	\$ 3.70	5
A007233	Nozzle Ass'y, Check Valve	\$ 3.70	5
A007234	Nozzle Ass'y, Check Valve	\$ 3.70	5
A007235	Nozzle Ass'y, Check Valve	\$ 3.70	5
A007237	Nozzle Ass'y, Check Valve	\$ 3.70	5
A007238	Nozzle Ass'y, Check Valve	\$ 3.70	5
A007239	Nozzle Ass'y, Check Valve	\$ 3.70	5
A007240	Nozzle Ass'y, Check Valve	\$ 3.70	5
A007243	Nozzle Ass'y, Check Valve	\$ 3.70	5
A007245	Nozzle Ass'y, Check Valve	\$ 3.70	5
A007251	Nozzle Ass'y, Check Valve	\$ 3.70	5
A007252	Nozzle Ass'y, Check Valve	\$ 3.70	5
A007254	Nozzle Ass'y, Check Valve	\$ 3.70	5
A007255	Nozzle Ass'y, Check Valve	\$ 3.70	5
A007262	Nozzle Ass'y, Check Valve	\$ 3.70	5
A007268	Nozzle Ass'y, Check Valve	\$ 3.70	5
A007269	Nozzle Ass'y, Check Valve	\$ 3.70	5
A007702	Nozzle Ass'y, Check Valve	\$ 3.70	5
A007703	Nozzle Ass'y, Check Valve	\$ 3.70	5
A011003	Shaft Ass'y, Throttle	\$ 2.64	1
A011007	Shaft Ass'y, Throttle	\$ 2.97	1
A011017	Shaft Ass'y, Throttle	\$ 3.18	1
A011019	Shaft Ass'y, Throttle	\$ 2.87	1
A011022	Shaft Ass'y, Throttle	\$ 3.65	1
A011030	Shaft Ass'y, Throttle	\$ 3.15	1
A011036	Shaft Ass'y, Throttle	\$ 4.83	1
A011037	Shaft Ass'y, Throttle	\$ 5.09	1

PARTS

PART NUMBER	DESCRIPTION	LIST PRICE	QTY
A011042	Shaft Ass'y, Throttle	\$ 3.38	1
A011043	Shaft Ass'y, Throttle	\$ 3.21	1
A011045	Shaft Ass'y, Throttle	\$ 5.95	1
A011048	Shaft Ass'y, Throttle	\$ 3.19	1
A011050	Shaft Ass'y, Throttle	\$ 3.32	1
A011051	Shaft Ass'y, Throttle	\$ 2.96	1
A011052	Shaft Ass'y, Throttle	\$ 3.06	1
A011055	Shaft Ass'y, Throttle	\$ 3.19	1
A011057	Shaft Ass'y, Throttle	\$ 3.75	1
A011058	Shaft Ass'y, Throttle	\$ 5.95	1
A011059	Shaft Ass'y, Throttle	\$ 3.75	1
A011060	Shaft Ass'y, Throttle	\$ 3.24	1
A011062	Shaft Ass'y, Throttle	\$ 3.37	1
A011063	Shaft Ass'y, Throttle	\$ 3.37	1
A011067	Shaft Ass'y, Throttle	\$ 3.24	1
A011072	Shaft Ass'y, Throttle	\$ 3.60	1
A011073	Shaft Ass'y, Throttle	\$ 3.60	1
A011074	Discontinued		
A011075	Shaft Ass'y, Throttle	\$ 3.60	1
A011077	Shaft Ass'y, Throttle	\$ 3.06	1
A011079	Shaft Ass'y, Throttle	\$ 5.95	1
A011080	Shaft Ass'y, Throttle	\$ 3.38	1
A011081	Shaft Ass'y, Throttle	\$ 3.29	1
A011082	Shaft Ass'y, Throttle	\$ 3.37	1
A011083	Shaft Ass'y, Throttle	\$ 3.38	1
A011091	Shaft Ass'y, Throttle	\$ 3.43	1
A011096	Shaft Ass'y, Throttle	\$ 3.60	1
A011097	Shaft Ass'y, Throttle	\$ 3.60	1
A011099	Shaft Ass'y, Throttle	\$ 3.60	1
A011101	Shaft Ass'y, Throttle	\$ 3.60	1
A011103	Shaft Ass'y, Throttle	\$ 3.60	1
A011104	Shaft Ass'y, Throttle	\$ 3.43	1
A011105	Shaft Ass'y, Throttle	\$ 2.69	1
A011106	Shaft Ass'y, Throttle	\$ 3.60	1
A011107	Shaft Ass'y, Throttle	\$ 3.60	1
A011108	Shaft Ass'y, Throttle	\$ 3.60	1
A011109	Shaft Ass'y, Throttle	\$ 3.60	1
A011111	Shaft Ass'y, Throttle	\$ 3.60	1
A011112	Shaft Ass'y, Throttle	\$ 3.60	1
A011133	Shaft Ass'y, Throttle	\$ 3.60	1
A011134	Shaft Ass'y, Throttle	\$ 3.60	1
A011135	Shaft Ass'y, Throttle	\$ 3.60	1
A011136	Shaft Ass'y, Throttle	\$ 3.60	1
A011137	Shaft Ass'y, Throttle	\$ 3.60	1
A011138	Shaft Ass'y, Throttle	\$ 3.60	1
A011139	Shaft Ass'y, Throttle	\$ 3.60	1
A011140	Shaft Ass'y, Throttle	\$ 3.60	1
A011141	Shaft Ass'y, Throttle	\$ 3.60	1
A011142	Shaft Ass'y, Throttle	\$ 3.92	1
A011143	Shaft Ass'y, Throttle	\$ 3.92	1
A011145	Shaft Ass'y, Throttle	\$ 3.60	1
A011146	Shaft Ass'y, Throttle	\$ 3.60	1
A011149	Shaft Ass'y, Throttle	\$ 3.92	1
A011150	Shaft Ass'y, Throttle	\$ 3.75	1
A011151	Shaft Ass'y, Throttle	\$ 3.92	1
A011152	Shaft Ass'y, Throttle	\$ 3.77	1
A011154	Shaft Ass'y, Throttle	\$ 3.92	1
A011156	Shaft Ass'y, Throttle	\$ 3.92	1
A011158	Shaft Ass'y, Throttle	\$ 3.92	1
A011159	Shaft Ass'y, Throttle	\$ 3.77	1
A011160	Shaft Ass'y, Throttle	\$ 3.77	1

PRICE LIST

PARTS				PARTS			
PART NUMBER	DESCRIPTION	LIST PRICE	QTY	PART NUMBER	DESCRIPTION	LIST PRICE	QTY
A011161	Shaft Ass'y, Throttle	\$ 3.77	1	A011232	Shaft Ass'y, Throttle	\$ 3.87	1
A011162	Shaft Ass'y, Throttle	\$ 3.77	1	A011233	Shaft Ass'y, Airhead	\$ 3.87	1
A011163	Shaft Ass'y, Throttle	\$ 3.77	1	A011234	Shaft Ass'y, Throttle	\$ 3.87	1
A011164	Shaft Ass'y, Throttle	\$ 3.47	1	A011236	Shaft Ass'y, Throttle	*	
A011165	Shaft Ass'y, Throttle	\$ 3.77	1	A011237	Shaft Ass'y, Throttle	*	
A011166	Shaft Ass'y, Throttle	\$ 3.87	1	A011238	Shaft Ass'y, Throttle	\$ 3.87	1
A011167	Shaft Ass'y, Throttle	\$ 3.87	1	A011239	Shaft Ass'y, Throttle	\$ 3.87	1
A011170	Shaft Ass'y, Throttle	\$ 3.77	1	A011240	Shaft Ass'y, Airhead	\$ 3.87	1
A011171	Shaft Ass'y, Throttle	*		A011241	Shaft Ass'y, Throttle	\$ 3.87	1
A011172	Shaft Ass'y, Throttle	\$ 3.60	1	A011242	Shaft Ass'y, Throttle	\$ 3.87	1
A011175	Shaft Ass'y, Throttle	\$ 3.77	1	A011243	Shaft Ass'y, Throttle	\$ 3.87	1
A011176	Shaft Ass'y, Throttle	\$ 3.60	1	A011244	Shaft Ass'y, Airhead	\$ 3.87	1
A011177	Shaft Ass'y, Throttle	\$ 3.77	1	A011245	Shaft Ass'y, Throttle	\$ 3.87	1
A011178	Shaft Ass'y, Throttle	*		A011246	Shaft Ass'y, Throttle	\$ 3.87	1
A011179	Shaft Ass'y, Throttle	\$ 3.60	1	A011248	Shaft Ass'y, Throttle	*	
A011180	Shaft Ass'y, Throttle	\$ 3.60	1	A011249	Shaft Ass'y, Throttle	\$ 3.87	1
A011181	Shaft Ass'y, Throttle	\$ 3.77	1	A011250	Shaft Ass'y, Throttle	\$ 3.87	1
A011182	Shaft Ass'y, Throttle	\$ 3.60	1	A011251	Shaft Ass'y, Airhead	\$ 3.87	1
A011183	Shaft Ass'y, Throttle	\$ 3.60	1	A011252	Shaft Ass'y, Throttle	\$ 3.87	1
A011184	Shaft Ass'y, Throttle	\$ 3.60	1	A011253	Shaft Ass'y, Throttle	*	
A011185	Shaft Ass'y, Throttle	\$ 3.60	1	A011255	Shaft Ass'y, Throttle	*	
A011186	Shaft Ass'y, Throttle	\$ 3.60	1	A011257	Shaft Ass'y, Throttle	\$ 3.87	1
A011187	Shaft Ass'y, Throttle	\$ 3.60	1	A011258	Shaft Ass'y, Throttle	\$ 3.87	1
A011188	Shaft Ass'y, Throttle	\$ 3.60	1	A011259	Shaft Ass'y, Throttle	\$ 3.87	1
A011189	Shaft Ass'y, Throttle	\$ 3.43	1	A011260	Shaft Ass'y, Throttle	*	
A011190	Shaft Ass'y, Throttle	\$ 3.60	1	A011261	Shaft Ass'y, Throttle	*	
A011191	Shaft Ass'y, Throttle	\$ 3.60	1	A011263	Shaft Ass'y, Throttle	\$ 3.87	1
A011192	Shaft Ass'y, Throttle	\$ 3.67	1	A011264	Shaft Ass'y, Throttle	\$ 3.87	1
A011193	Shaft Ass'y, Throttle	\$ 3.87	1	A011268	Shaft Ass'y, Throttle	\$ 3.87	1
A011194	Shaft Ass'y, Throttle	\$ 3.87	1	A011269	Shaft Ass'y, Throttle	*	
A011195	Shaft Ass'y, Throttle	\$ 3.87	1	A011270	Shaft Ass'y, Throttle	\$ 3.87	1
A011196	Shaft Ass'y, Throttle	\$ 3.87	1	A011271	Shaft Ass'y, Airhead	\$ 3.87	1
A011197	Shaft Ass'y, Throttle	\$ 4.29	1	A011272	Shaft Ass'y, Throttle	*	
A011198	Shaft Ass'y, Throttle	\$ 3.06	1	A011273	Shaft Ass'y, Throttle	*	
A011199	Shaft Ass'y, Throttle	*		A011274	Shaft Ass'y, Throttle	\$ 3.87	1
A011200	Shaft Ass'y, Throttle	\$ 3.77	1	A011281	Shaft Ass'y, Throttle	\$ 3.87	1
A011203	Shaft Ass'y, Throttle	\$ 3.67	1	A011282	Shaft Ass'y, Throttle	\$ 3.87	1
A011205	Shaft Ass'y, Throttle	\$ 3.77	1	A011703	Shaft Ass'y, Throttle	\$ 3.87	1
A011206	Shaft Ass'y, Throttle	\$ 3.77	1	A011704	Shaft Ass'y, Throttle	\$ 3.87	1
A011207	Shaft Ass'y, Throttle	\$ 3.77	1	A011705	Shaft Ass'y, Throttle	\$ 3.87	1
A011208	Shaft Ass'y, Throttle	\$ 3.87	1	A011706	Shaft Ass'y, Throttle	\$ 3.87	1
A011210	Shaft Ass'y, Throttle	\$ 3.87	1	A012001	Lever Ass'y, Throttle	\$ 11.24	5
A011211	Shaft Ass'y, Throttle	\$ 3.87	1	A012007	Lever Ass'y, Throttle	\$ 8.82	5
A011212	Shaft Ass'y, Throttle	\$ 3.87	1	A012028	Lever Ass'y, Throttle	\$ 8.85	5
A011213	Shaft Ass'y, Throttle	\$ 3.87	1	A012031	Lever Ass'y, Throttle	\$ 8.85	5
A011214	Shaft Ass'y, Throttle	\$ 3.87	1	A012033	Lever Ass'y, Throttle	\$ 9.17	5
A011215	Shaft Ass'y, Throttle	*		A012035	Lever Ass'y, Throttle	\$ 9.17	5
A011216	Shaft Ass'y, Throttle	\$ 3.87	1	A012037	Lever Ass'y, Throttle	\$ 9.17	5
A011217	Shaft Ass'y, Airhead	\$ 3.39	1	A012038	Lever Ass'y, Throttle	\$ 9.17	5
A011218	Shaft Ass'y, Throttle	\$ 3.87	1	A015002	Diaphragm Ass'y, Metering	\$ 2.72	10
A011219	Shaft Ass'y, Airhead	\$ 3.39	1	A015005	Diaphragm Ass'y, Metering	\$ 3.71	10
A011220	Shaft Ass'y, Throttle	\$ 3.87	1	A015006	Diaphragm Ass'y, Metering	\$ 2.72	10
A011222	Shaft Ass'y, Throttle	\$ 3.77	1	A015007	Use A015006		
A011223	Shaft Ass'y, Airhead	\$ 3.77	1	A015010	Diaphragm Ass'y, Metering	\$ 2.71	10
A011224	Shaft Ass'y, Throttle	\$ 3.87	1	A015011	Diaphragm Ass'y, Metering	\$ 4.88	10
A011225	Shaft Ass'y, Throttle	*		A015012	Diaphragm Ass'y, Metering	\$ 3.65	10
A011226	Shaft Ass'y, Throttle	\$ 3.77	1	A015013	Diaphragm Ass'y, Metering	\$ 3.66	10
A011227	Shaft Ass'y, Throttle	\$ 3.87	1	A015015	Diaphragm Ass'y, Metering	\$ 4.48	10
A011229	Shaft Ass'y, Throttle	\$ 3.87	1	A015016	Diaphragm Ass'y, Metering	\$ 3.64	10
A011230	Shaft Ass'y, Throttle	\$ 3.87	1	A015017	Diaphragm Ass'y, Metering	\$ 3.64	10
A011231	Shaft Ass'y, Throttle	\$ 3.87	1	A015018	Diaphragm Ass'y, Metering	\$ 3.64	10

PRICE LIST

PARTS				PARTS			
PART NUMBER	DESCRIPTION	LIST PRICE	QTY	PART NUMBER	DESCRIPTION	LIST PRICE	QTY
A015019	Diaphragm Ass'y, Metering	\$ 3.64	10	A031011	Screw Ass'y, Idle Mixture	*	
A015040	Diaphragm Ass'y, Metering	\$ 3.16	10	A031012	Screw Ass'y, Idle Mixture	*	
A015041	Diaphragm Ass'y, Metering	\$ 3.12	10	A031017	Screw Ass'y, Idle Mixture	*	
A015042	Diaphragm Ass'y, Metering	\$ 3.12	10	A031018	Screw Ass'y, Idle Mixture	*	
A015043	Diaphragm Ass'y, Metering	\$ 3.64	10	A031019	Screw Ass'y, Idle Mixture	\$ 3.59	1
A015044	Diaphragm, Metering	\$ 2.75	10	A031020	Screw Ass'y, Idle Mixture	*	
A015045	Diaphragm Ass'y, Metering	*		A031024	Screw Ass'y, Idle Mixture	*	
A015046	Diaphragm Ass'y, Metering	*		A031025	Screw Ass'y, Idle Mixture	*	
A015047	Diaphragm Ass'y, Metering	\$ 3.64	10	A031026	Screw Ass'y, Idle Mixture	*	
A015048	Diaphragm Ass'y, Metering	\$ 3.64	10	A031027	Screw Ass'y, Idle Mixture	*	
A015049	Diaphragm Ass'y, Metering	\$ 3.64	10	A031028	Screw Ass'y, Idle Mixture	*	
A015050	Diaphragm Ass'y, Metering	\$ 3.64	10	A031029	Screw Ass'y, Idle Mixture	*	
A015051	Diaphragm Ass'y, Metering	\$ 3.64	10	A031030	Screw Ass'y, Idle Mixture	*	
A015052	Diaphragm Ass'y, Metering	\$ 3.64	10	A031031	Screw Ass'y, Idle Mixture	*	
A015053	Diaphragm Ass'y, Metering	\$ 2.68	10	A031066	Screw, Idle Mixture	\$ 3.59	1
A015055	Diaphragm Ass'y, Metering	\$ 3.12	10	A031067	Screw, Idle Mixture	\$ 3.59	1
A015056	Diaphragm Ass'y, Metering	*		A031082	Screw Ass'y, Idle Mixture	\$ 3.59	1
A015058	Diaphragm Ass'y, Metering	\$ 3.64	10	A031084	Screw Ass'y, Idle Mixture	\$ 3.59	1
A015060	Diaphragm Ass'y, Metering	*		A031085	Screw Ass'y, Idle Mixture	*	
A015061	Diaphragm Ass'y, Metering	*		A035001	Screw Ass'y, Throttle Adjust	*	
A015064	Diaphragm Ass'y, Metering	\$ 3.64	10	A035002	Screw Ass'y, Throttle Adjust	*	
A015067	Diaphragm Ass'y, Metering	*		A035003	Screw Ass'y, Throttle Adjust	*	
A015069	Diaphragm Ass'y, Metering	*		A035004	Screw Ass'y, Throttle Adjust	*	
A015070	Diaphragm Ass'y, Metering	*		A035005	Screw Ass'y, Throttle Adjust	*	
A015078	Diaphragm Ass'y, Metering	\$ 3.64	10	A035006	Screw Ass'y, Throttle Adjust	*	
A015701	Diaphragm Ass'y, Metering	\$ 2.68	10	A041001	Shaft Ass'y, Choke	\$ 2.50	1
A017006	Cover Ass'y, Pump	*		A041004	Shaft Ass'y, Choke	\$ 3.37	1
A017008	Cover Ass'y, Pump	\$ 5.28	1	A041005	Discontinued		
A017012	Cover Ass'y, Pump	\$ 5.28	1	A041010	Shaft Ass'y, Choke	\$ 3.28	1
A017014	Cover Ass'y, Pump	\$ 5.28	1	A041011	Shaft Ass'y, Choke	\$ 4.12	1
A017015	Cover Ass'y, Pump	\$ 5.28	1	A041015	Shaft Ass'y, Choke	\$ 3.93	1
A017016	Cover Ass'y, Pump	\$ 5.28	1	A041016	Shaft Ass'y, Choke	\$ 3.50	1
A017018	Cover Ass'y, Pump	\$ 5.28	1	A041017	Shaft Ass'y, Choke	\$ 3.89	1
A017041	Cover Ass'y, Pump	*		A041019	Shaft Ass'y, Choke	\$ 3.89	1
A017043	Cover Ass'y, Pump	\$ 5.28	1	A041020	Shaft Ass'y, Choke	\$ 6.12	1
A017044	Cover Ass'y, Pump	*		A041021	Shaft Ass'y, Choke	\$ 3.88	1
A017045	Cover Ass'y, Pump	\$ 5.28	1	A041022	Shaft Ass'y, Choke	\$ 5.90	1
A017046	Cover Ass'y, Pump	\$ 5.28	1	A041029	Shaft Ass'y, Choke	\$ 4.62	1
A017047	Cover Ass'y, Pump	\$ 5.28	1	A041031	Shaft Ass'y, Choke	\$ 5.88	1
A017048	Cover Ass'y, Pump	\$ 5.28	1	A041032	Shaft Ass'y, Choke	\$ 4.49	1
A017050	Cover Ass'y, Pump	\$ 5.28	1	A041035	Shaft Ass'y, Choke	\$ 5.66	1
A017051	Cover Ass'y, Pump	\$ 5.28	1	A041039	Shaft Ass'y, Choke	\$ 4.92	1
A017052	Cover Ass'y, Pump	\$ 5.28	1	A041043	Shaft Ass'y, Choke	\$ 4.73	1
A017053	Cover Ass'y, Pump	*		A041044	Shaft Ass'y, Choke	\$ 4.92	1
A017701	Cover Ass'y, Pump	\$ 5.28	1	A041047	Shaft Ass'y, Choke	\$ 5.66	1
A028024	Cover Ass'y, Mtrg. Chamber	\$ 3.92	1	A041048	Shaft Ass'y, Choke	\$ 4.92	1
A028026	Cover Ass'y, Mtrg. Chamber	\$ 3.92	1	A041049	Shaft Ass'y, Choke	\$ 4.92	1
A028027	Cover Ass'y, Mtrg. Chamber	*		A041050	Shaft Ass'y, Choke	\$ 4.12	1
A028029	Cover Ass'y, Mtrg. Chamber	*		A041051	Shaft Ass'y, Choke	\$ 4.92	1
A028030	Cover Ass'y, Mtrg. Chamber	*		A041073	Shaft Ass'y, Choke	\$ 4.92	1
A028032	Cover Ass'y, Mtrg. Chamber	*		A041075	Shaft Ass'y, Choke	\$ 4.92	1
A028033	Cover Ass'y, Mtrg. Chamber	*		A041076	Shaft Ass'y, Choke	\$ 4.92	1
A028034	Cover Ass'y, Mtrg. Chamber	*		A041077	Shaft Ass'y, Choke	\$ 5.36	1
A030001	Screw Ass'y, Main Mixture	\$ 3.59	1	A041079	Shaft Ass'y, Choke	\$ 4.92	1
A030002	Screw Ass'y, Main Mixture	*		A041081	Shaft Ass'y, Choke	\$ 5.83	1
A030003	Screw Ass'y, Main Mixture	*		A041082	Shaft Ass'y, Choke	\$ 4.92	1
A031002	Screw Ass'y, Idle Mixture	*		A041083	Shaft Ass'y, Choke	\$ 4.92	1
A031003	Screw Ass'y, Idle Mixture	*		A041084	Shaft Ass'y, Choke	\$ 4.92	1
A031005	Screw Ass'y, Idle Mixture	*		A041085	Shaft Ass'y, Choke	\$ 4.92	1
A031007	Screw Ass'y, Idle Mixture	*		A041086	Shaft Ass'y, Choke	\$ 4.92	1
A031008	Screw Ass'y, Idle Mixture	*		A041087	Shaft Ass'y, Choke	\$ 4.92	1

* MUST BE PURCHASED FROM AN AUTHORIZED STIHL DISTRIBUTOR.

PRICE LIST

PARTS				PARTS			
PART NUMBER	DESCRIPTION	LIST PRICE	QTY	PART NUMBER	DESCRIPTION	LIST PRICE	QTY
A041089	Shaft Ass'y, Choke	\$ 4.92	1	A056011	Base Ass'y, Primer	\$ 11.37	1
A041091	Shaft Ass'y, Choke	\$ 4.92	1	A056012	Base Ass'y, Primer	\$ 11.37	1
A041092	Shaft Ass'y, Choke	\$ 4.92	1	A056013	External Primer Ass'y	\$ 3.19	1
A041093	Shaft Ass'y, Choke	\$ 4.92	1	A056014	Discontinued		
A041094	Shaft Ass'y, Choke	\$ 4.92	1	A056015	Base Ass'y, Primer	\$ 12.95	1
A041095	Shaft Ass'y, Choke	\$ 4.92	1	A056025	Discontinued		
A041096	Shaft Ass'y, Choke	\$ 4.92	1	A056026	Base Ass'y, Primer	\$ 12.95	1
A041097	Shaft Ass'y, Choke	\$ 4.92	1	A056028	Base Ass'y, Primer	\$ 12.95	1
A041098	Shaft Ass'y, Choke	\$ 5.42	1	A056050	Base Ass'y, Primer	\$ 12.95	1
A041099	Shaft Ass'y, Choke	\$ 4.92	1	A056055	Base Ass'y, Primer	\$ 12.95	1
A041100	Shaft Ass'y, Choke	\$ 4.92	1	A056056	Base Ass'y, Primer	\$ 12.95	1
A041101	Shaft Ass'y, Choke	\$ 4.92	1	A056058	Base Ass'y, Primer	\$ 12.46	1
A041102	Shaft Ass'y, Choke	\$ 4.92	1	A056062	Base Ass'y, Primer	\$ 12.95	1
A041103	Shaft Ass'y, Choke	\$ 4.92	1	A056064	Base Ass'y, Primer	\$ 12.95	1
A041105	Shaft Ass'y, Choke	\$ 4.92	1	A056067	Base Ass'y, Primer	\$ 12.95	1
A041107	Shaft Ass'y, Choke	\$ 4.92	1	A056069	Base Ass'y, Primer	\$ 12.95	1
A041108	Shaft Ass'y, Choke	\$ 5.42	1	A056070	Base Ass'y, Primer	\$ 12.95	1
A041110	Shaft Ass'y, Choke	\$ 4.92	1	A056071	Base Ass'y, Primer	\$ 12.95	1
A041111	Shaft Ass'y, Choke	\$ 4.92	1	A056072	Base Ass'y, Primer	\$ 12.95	1
A041112	Shaft Ass'y, Choke	*		A056073	Base Ass'y, Primer	\$ 12.95	1
A041113	Shaft Ass'y, Choke	\$ 4.92	1	A056074	Base Ass'y, Primer	\$ 12.95	1
A041115	Shaft Ass'y, Choke	\$ 5.42	1	A056075	Base Ass'y, Primer	\$ 12.95	1
A041116	Shaft Ass'y, Choke	\$ 5.42	1	A056076	Base Ass'y, Primer	\$ 12.95	1
A041118	Shaft Ass'y, Choke	\$ 4.92	1	A056077	Base Ass'y, Primer	\$ 12.95	1
A041119	Shaft Ass'y, Choke	\$ 4.92	1	A056078	Base Ass'y, Primer	\$ 12.95	1
A041120	Shaft Ass'y, Choke	\$ 5.42	1	A056079	Base Ass'y, Primer	\$ 12.95	1
A041121	Shaft Ass'y, Choke	\$ 5.42	1	A056080	Base Ass'y, Primer	*	
A041122	Shaft Ass'y, Choke	\$ 5.42	1	A056081	Base Ass'y, Primer	*	
A041123	Shaft Ass'y, Choke	\$ 5.42	1	A056082	Base Ass'y, Primer	\$ 12.95	1
A041124	Shaft Ass'y, Choke	\$ 5.42	1	A056083	Base Ass'y, Primer	*	
A041125	Shaft Ass'y, Choke	\$ 5.42	1	A056084	Base Ass'y, Primer	\$ 12.95	1
A041126	Shaft Ass'y, Choke	*		A056085	Base Ass'y, Primer	\$ 12.95	1
A041127	Shaft Ass'y, Choke	\$ 5.42	1	A056086	Base Ass'y, Primer	\$ 12.95	1
A041128	Shaft Ass'y, Choke	*		A056087	Base Ass'y, Primer	\$ 12.95	1
A041129	Shaft Ass'y, Choke	\$ 5.42	1	A056088	Base Ass'y, Primer	*	
A041130	Shaft Ass'y, Choke	\$ 5.42	1	A056089	Base Ass'y, Primer	\$ 12.95	1
A041134	Shaft Ass'y, Choke	\$ 5.42	1	A056093	Base Ass'y, Primer	\$ 12.95	1
A041135	Shaft Ass'y, Choke	\$ 5.42	1	A056095	Base Ass'y, Primer	\$ 12.95	1
A041139	Shaft Ass'y, Choke	\$ 5.42	1	A056096	Base Ass'y, Primer	\$ 12.95	1
A041140	Shaft Ass'y, Choke	\$ 5.42	1	A056098	Base Ass'y, Primer	\$ 12.95	1
A041143	Shaft Ass'y, Choke	*		A056099	Base Ass'y, Primer	\$ 12.95	1
A041702	Shaft Ass'y, Choke	\$ 5.42	1	A056100	Base Ass'y, Primer	\$ 12.95	1
A041701	Shaft Ass'y, Choke	\$ 5.42	1	A056102	External Primer Ass'y	\$ 4.61	1
A042027	Lever Ass'y, Choke	\$ 5.42	1	A056103	Base Ass'y, Primer	*	
A042029	Lever Ass'y, Choke	\$ 5.42	1	A056105	Base Ass'y, Primer	\$ 12.95	1
A042030	Lever Ass'y, Choke	\$ 5.42	1	A056106	Base Ass'y, Primer	*	
A042701	Lever Ass'y, Choke	\$ 5.42	1	A056107	Base Ass'y, Primer	\$ 12.95	1
A049026	Body Ass'y, Start Pump	\$ 4.88	1	A056108	Base Ass'y, Primer	\$ 12.95	1
A049029	Body Ass'y, Pump	\$ 8.83	1	A056112	Base Ass'y, Primer	\$ 12.95	1
A049030	Body Ass'y, Oil Pump	\$ 7.87	1	A056113	Base Ass'y, Primer	*	
A049033	Body Ass'y, Pump	\$ 4.88	1	A056116	Base Ass'y, Primer	*	
A049035	Body Ass'y, Pump	\$ 8.83	1	A056119	Base Ass'y, Primer	*	
A049036	Body Ass'y, Pump	\$ 8.83	1	A056123	Base Ass'y, Primer	*	
A049037	Body Ass'y, Pump	\$ 8.83	1	A056125	Base Ass'y, Primer	\$ 12.95	1
A053001	Ass'y, Plunger	\$ 6.96	1	A056126	Base Ass'y, Primer	*	
A053022	Ass'y Starter, Plunger	\$ 4.88	1	A056127	Base Ass'y, Primer	*	
A056001	Discontinued			A056128	Base Ass'y, Primer	*	
A056004	Base Ass'y, Primer	\$ 11.62	1	A056130	Base Ass'y, Primer	*	
A056005	Base Ass'y, Primer	\$ 12.95	1	A056131	Base Ass'y, Primer	*	
A056007	Base Ass'y, Primer	\$ 11.30	1	A056132	Base Ass'y, Primer	*	
A056009	Discontinued			A056134	Base Ass'y, Primer	*	

PRICE LIST

PARTS/CARBURETORS				CARBURETORS			
PART NUMBER	DESCRIPTION	LIST PRICE	QTY	PART NUMBER	DESCRIPTION	LIST PRICE	QTY
A056135	Base Ass'y, Primer	*		C1M (CONT'D)			
A056136	Base Ass'y, Primer	*		C1M-K37, A-D	Use C1M-K37D	\$ 48.22	1
A056137	Base Ass'y, Primer	*		C1M-K49, A-C	Use C1M-K49C	\$ 49.75	1
A056140	Base Ass'y, Primer	*		C1M-K76	Carburetor	\$ 47.84	1
A056148	Base Ass'y, Primer	\$ 12.95	1	C1M-K77	Carburetor	\$ 47.38	1
A059001	Governor Ass'y	\$ 5.16	1	C1M-S141,A-D	Use C1M-S141D	*	
A059002	Governor Ass'y	\$ 5.16	1	C1M-S142,A-D	Use C1M-S142D	*	
A059004	Governor Ass'y	\$ 5.36	1	C1M-S144,A-B	Use C1M-S144B	*	
A059005	Governor Ass'y	\$ 5.36	1	C1M-S145,A-B	Use C1M-S145B	*	
A059007	Governor Ass'y	\$ 5.36	1	C1M-S146,A-B	Use C1M-S146B	*	
A059011	Governor Ass'y	\$ 5.36	1	C1M-S151,A-B	Use C1M-S151B	*	
A059033	Governor Ass'y	\$ 5.36	1	C1M-W26, A-C	Use C1M-W26C	\$ 46.84	1
A059034	Governor Ass'y	\$ 5.36	1	C1M-W44	Carburetor	\$ 49.39	1
A059036	Governor Ass'y	\$ 5.58	1	C1M-W47	Carburetor	\$ 35.47	1
A061002	Limiter Ass'y	*		C1Q			
A061003	Limiter Ass'y	*		C1Q-DM3	Discontinued		
A078001	Cover Ass'y, Rotor	\$ 19.29	1	C1Q-DM6, A	Use C1Q-DM6A	\$ 43.71	1
A078003	Cover Ass'y, Rotor	\$ 19.29	1	C1Q-DM7, A	Use C1Q-DM7A	\$ 43.71	1
A078004	Cover Ass'y, Rotor	\$ 19.29	1	C1Q-DM8, A-B	Use C1Q-DM8B	\$ 48.15	1
A078005	Cover Ass'y, Rotor	\$ 19.29	1	C1Q-DM9, A-B	Use C1Q-DM9B	\$ 48.15	1
A078006	Cover Ass'y, Rotor	\$ 19.29	1	C1Q-DM10, A-B	Use C1Q-DM10B	\$ 48.53	1
A078007	Cover Ass'y, Rotor	\$ 19.29	1	C1Q-DM13, A-B	Use C1Q-DM13B	\$ 54.88	1
A078008	Cover Ass'y, Rotor	\$ 19.29	1	C1Q-DM14, A	Use C1Q-DM14A	\$ 51.77	1
A078009	Cover Ass'y, Rotor	\$ 19.29	1	C1Q-DM15,A	Use C1Q-DM15A	\$ 48.88	1
A078010	Cover Ass'y, Rotor	\$ 19.29	1	C1Q-DM16	Carburetor	\$ 54.87	1
A078011	Cover Ass'y, Rotor	\$ 19.29	1	C1Q-E3	Carburetor	\$ 56.31	1
A078012	Cover Ass'y, Rotor	\$ 19.29	1	C1Q-E4	Carburetor	\$ 48.91	1
A078013	Cover Ass'y, Rotor	\$ 19.29	1	C1Q-E5, A-B	Use C1Q-E5B	\$ 48.82	1
A078014	Cover Ass'y, Rotor	\$ 19.29	1	C1Q-E6, A	Use C1Q-E6A	\$ 41.00	1
A078016	Cover Ass'y, Rotor	\$ 19.29	1	C1Q-E7, A	Use C1Q-E7A	\$ 41.00	1
A078018	Cover Ass'y, Rotor	\$ 19.29	1	C1Q-E10	Carburetor	\$ 41.00	1
A078019	Cover Ass'y, Rotor	\$ 19.29	1	C1Q-E12	Carburetor	\$ 42.19	1
A078020	Cover Ass'y, Rotor	\$ 19.29	1	C1Q-EL1	Carburetor	\$ 48.91	1
A078023	Cover Ass'y, Rotor	\$ 19.29	1	C1Q-EL5, A	Discontinued		
A078024	Cover Ass'y, Rotor	\$ 19.29	1	C1Q-EL6	Carburetor	\$ 46.90	1
A080002	Screw Ass'y, Cable	\$ 3.87	1	C1Q-EL7	Carburetor	\$ 45.65	1
A088001	Air Cleaner Ass'y	\$ 17.79	1	C1Q-EL10	Carburetor	\$ 47.69	1
A088002	Body Ass'y, Airhead	\$ 9.43	1	C1Q-EL12	Carburetor	\$ 46.39	1
A088003	Body Ass'y, Airhead	\$ 9.43	1	C1Q-EL13	Carburetor	\$ 46.39	1
A088004	Body Ass'y, Airhead	\$ 9.43	1	C1Q-EL14, A	Use C1Q-EL14A	\$ 45.93	1
A088006	Body Ass'y, Airhead	\$ 9.43	1	C1Q-EL19, A-C	Use C1Q-EL19C	\$ 43.56	1
A088010	Body Ass'y, Airhead	\$ 9.43	1	C1Q-EL20, A-C	Use C1Q-EL20C	\$ 46.62	1
A088012	Body Ass'y, Airhead	\$ 9.43	1	C1Q-EL21, A	Use C1Q-EL21A	\$ 46.46	1
A088701	Body Ass'y, Airhead	\$ 9.43	1	C1Q-EL22, A	Use C1Q-EL22A	\$ 46.46	1
				C1Q-EL23, A	Use C1Q-EL23A	\$ 44.09	1
				C1Q-EL24, A	Use C1Q-EL24A	\$ 40.43	1
				C1Q-EL25, A	Use C1Q-EL25A	\$ 41.88	1
				C1Q-EL26, A	Use C1Q-EL26A	\$ 45.55	1
				C1Q-EL27	Carburetor	\$ 42.34	1
				C1Q-EL30, A-B	Use C1Q-EL30B	\$ 38.52	1
				C1Q-EL33, A	Use C1Q-EL33A	\$ 42.64	1
				C1Q-EL34	Carburetor	\$ 45.39	1
				C1Q-EL36,A-B	Use C1Q-EL36B	\$ 40.36	1
				C1Q-EL38	Carburetor	\$ 40.11	1
				C1Q-EL39,A	Use C1Q-EL39A	\$ 40.04	1
				C1Q-EL45	Carburetor	\$ 39.29	1
				C1Q-H14, A-B	Discontinued		
				C1Q-H17	Carburetor	\$ 57.92	1
				C1Q-H17, A-B	Use C1Q-H17B	\$ 42.90	1
				C1Q-H17, C-D	Use C1Q-H17D	\$ 41.25	1

* MUST BE PURCHASED FROM AN AUTHORIZED STIHL DISTRIBUTOR.

PRICE LIST

CARBURETORS				CARBURETORS			
PART NUMBER	DESCRIPTION	LIST PRICE	QTY	PART NUMBER	DESCRIPTION	LIST PRICE	QTY
C1Q (CONT'D)				C1Q (CONT'D)			
C1Q-H19, A-C	Use C1Q-H19C	\$ 50.87	1	C1Q-S73	Discontinued		
C1Q-H27	Carburetor	\$ 44.95	1	C1Q-S74, A-D	Use C1Q-S74D		*
C1Q-H32, A	Discontinued			C1Q-S75, A-B	Use C1Q-S75B		*
C1Q-H35	Discontinued			C1Q-S76, A-B	Use C1Q-S76B		*
C1Q-H42	Discontinued			C1Q-S77, A-B	Use C1Q-S77B		*
C1Q-H43	Carburetor	\$ 44.66	1	C1Q-S78	Discontinued		
C1Q-H44	Carburetor	\$ 41.97	1	C1Q-S79	Carburetor		*
C1Q-H45	Carburetor	\$ 46.74	1	C1Q-S80B-C	Use C1Q-S80C		*
C1Q-H64	Carburetor	\$ 45.55	1	C1Q-S81	Discontinued		
C1Q-K64, A	Use C1Q-K64A	\$ 52.58	1	C1Q-S82	Discontinued		
C1Q-K73, A	Use C1Q-K73A	\$ 53.65	1	C1Q-S83	Discontinued		
C1Q-K79	Carburetor	\$ 60.76	1	C1Q-S84, A-C	Use C1Q-S84C		*
C1Q-M27, A-C	Use C1Q-M27C	\$ 46.56	1	C1Q-S85, A-C	Use C1Q-S85C		*
C1Q-M27D	Carburetor	\$ 39.24	1	C1Q-S86, A-C	Discontinued		
C1Q-M28D	Discontinued			C1Q-S87, A-C	Use C1Q-S87C		*
C1Q-M31	Carburetor	\$ 41.66	1	C1Q-S88	Discontinued		
C1Q-M33, A-D	Discontinued			C1Q-S89, A-C	Use C1Q-S89C		*
C1Q-M36, A	Use C1Q-M36A	\$ 39.50	1	C1Q-S90, A-B	Use C1Q-S90B		*
C1Q-M39	Carburetor	\$ 43.95	1	C1Q-S91,A	Use C1Q-S91A		*
C1Q-M41	Carburetor	\$ 46.16	1	C1Q-S92,A	Use C1Q-S92A		*
C1Q-M43	Carburetor	\$ 35.69	1	C1Q-S93	Carburetor		*
C1Q-M44	Carburetor	\$ 35.84	1	C1Q-S94	Discontinued		
C1Q-P8	Discontinued			C1Q-S95	Discontinued		
C1Q-P18, A	Use C1Q-P18A	\$ 42.42	1	C1Q-S96, A-B	Discontinued		
C1Q-P22, A-C	Use C1Q-P22C	\$ 37.07	1	C1Q-S97,A	Use C1Q-S97A		*
C1Q-P24	Carburetor	\$ 41.27	1	C1Q-S98,A-B	Use C1Q-S98B		*
C1Q-P26, A-C	Use C1Q-P26C	\$ 38.21	1	C1Q-S99, A	Use C1Q-S99A		*
C1Q-S11, C-G	Use C1Q-S11G	\$ 45.42	1	C1Q-S100,A	Use C1Q-S100A		*
C1Q-S16, A	Use C1Q-S16A	\$ 69.79	1	C1Q-S101, A	Use C1Q-S101A		*
C1Q-S28, A-D	Use C1Q-S28D	\$ 51.66	1	C1Q-S102,A	Use C1Q-S102A		*
C1Q-S29, A-C	Use C1Q-S29C	*		C1Q-S103	Discontinued		
C1Q-S30, A-C	Use C1Q-S30C	*		C1Q-S104	Carburetor		*
C1Q-S32	Carburetor	*		C1Q-S105	Discontinued		
C1Q-S33, A-B	Use C1Q-S33B	*		C1Q-S106,A	Discontinued		
C1Q-S34, A-H	Use C1Q-S34H	*		C1Q-S107,A	Use C1Q-S107A		*
C1Q-S35, A-B	Use C1Q-S35B	*		C1Q-S108, A	Discontinued		
C1Q-S37, A-B	Use C1Q-S37B	*		C1Q-S109, A	Discontinued		
C1Q-S41, A-B	Use C1Q-S41B	*		C1Q-S110,A-C	Use C1Q-S110C		*
C1Q-S42, A-B	Use C1Q-S42B	*		C1Q-S111	Carburetor		*
C1Q-S43, A-B	Use C1Q-S43B	*		C1Q-S112,A	Use C1Q-S112A		*
C1Q-S46, A-B	Use C1Q-S46B	*		C1Q-S113	Discontinued		
C1Q-S47	Carburetor	*		C1Q-S114	Carburetor		*
C1Q-S48, A	Use C1Q-S48A	*		C1Q-S115,A-B	Use C1Q-S115B		*
C1Q-S51, A-D	Use C1Q-S51D	*		C1Q-S116,A	Use C1Q-S116A		*
C1Q-S54	Carburetor	*		C1Q-S117	Discontinued		
C1Q-S55	Carburetor	*		C1Q-S118,A-C	Use C1Q-S118C		*
C1Q-S56	Carburetor	*		C1Q-S119,A-B	Use C1Q-S119B		*
C1Q-S57, A-B	Use C1Q-S57B	*		C1Q-S120,A-B	Use C1Q-S120B		*
C1Q-S58	Carburetor	*		C1Q-S121,A-B	Use C1Q-S121B		*
C1Q-S59,A	Discontinued			C1Q-S122,A-B	Use C1Q-S122B		*
C1Q-S60	Discontinued			C1Q-S123,A-B	Use C1Q-S123B		*
C1Q-S61, A-E	Discontinued			C1Q-S124,A	Use C1Q-S124A		*
C1Q-S62	Carburetor	*		C1Q-S125	Carburetor		*
C1Q-S63, A	Discontinued			C1Q-S126,A	Use C1Q-S126A		*
C1Q-S64	Carburetor	*		C1Q-S127,A	Use C1Q-S127A		*
C1Q-S68, A-D	Use C1Q-S68D	*		C1Q-S128,A	Use C1Q-S128A		*
C1Q-S69, A	Discontinued			C1Q-S129,A	Use C1Q-S129A		*
C1Q-S70,A	Discontinued			C1Q-S130,A-B	Use C1Q-S130B		*
C1Q-S71	Discontinued			C1Q-S131,A-B	Use C1Q-S131B		*
C1Q-S72, B	Use C1Q-S72B	*		C1Q-S132,A-B	Use C1Q-S132B		*

PRICE LIST

CARBURETORS				CARBURETORS			
PART NUMBER	DESCRIPTION	LIST PRICE	QTY	PART NUMBER	DESCRIPTION	LIST PRICE	QTY
C1Q (CONT'D)				C1Q (CONT'D)			
C1Q-S133,A	Use C1Q-S133A	*		C1Q-W38	Carburetor	\$ 35.42	1
C1Q-S134	Carburetor	*		C1Q-W39	Carburetor	\$ 37.52	1
C1Q-S135	Carburetor	*		C1Q-W40,A	Use C1Q-W40A	\$ 38.36	1
C1Q-S136	Carburetor	*		C1Q-W41,A	Use C1Q-W41A	\$ 38.50	1
C1Q-S137,A	Use C1Q-S137A	*		C1Q-Z4	Carburetor	\$ 57.09	1
C1Q-S138	Carburetor	*		C1Q-Z5	Carburetor	\$ 55.87	1
C1Q-S139	Carburetor	*		C1Q-Z6,A	Use C1Q-Z6A	\$ 61.14	1
C1Q-S140,A	Use C1Q-S140A	*		C1Q-Z7,A	Use C1Q-Z7A	\$ 55.37	1
C1Q-S143	Carburetor	*		C1S			
C1Q-S150	Carburetor	*		C1S-E1	Discontinued		
C1Q-S152	Carburetor	*		C1S-H2A	Discontinued		
C1Q-S153	Carburetor	*		C1S-H4, A-C	Use C1S-H4C	\$ 44.34	1
C1Q-S154	Carburetor	*		C1S-H6A	Discontinued		
C1Q-S155	Carburetor	*		C1S-H7	Discontinued		
C1Q-S156	Carburetor	*		C1S-H8, A	Discontinued		
C1Q-S157	Carburetor	*		C1S-K1, A-D	Use C1S-K1D	\$ 44.75	1
C1Q-S159	Carburetor	*		C1S-M9	Discontinued		
C1Q-S160	Carburetor	*		C1S-M12	Discontinued		
C1Q-S161	Carburetor	*		C1S-M13	Carburetor	\$ 42.66	1
C1Q-S162	Carburetor	*		C1S-S1, A-C	Use C1S-S1C	\$ 44.34	1
C1Q-S165	Carburetor	*		C1S-S3, A-G	Use C1S-S3G	\$ 55.51	1
C1Q-S166	Carburetor	*		C1S-SK1, SK2	Use C1Q-SK5		
C1Q-S167,A	Use C1Q-S167A	*		C1S-Z1, A-D	Discontinued		
C1Q-S169	Carburetor	*		C1T			
C1Q-S170	Carburetor	*		C1T-EL41A	Carburetor, Airhead	\$ 43.47	1
C1Q-S171,A	Use C1Q-S171A	*		C1T-W33,A-C	Use C1T-W33C	\$ 46.97	1
C1Q-S178,A-C	Use C1Q-S178C	*		C1U Simple Start®			
C1Q-S179,A-C	Use C1Q-S179C	*		C1U-H46, A	Use C1U-H46A	\$ 42.34	1
C1Q-S180,A-C	Use C1Q-S180C	*		C1U-H49	Simple Start® Carburetor	\$ 45.01	1
C1Q-S183	Carburetor	*		C1U-P27	Simple Start® Carburetor	\$ 34.90	1
C1Q-S184	Carburetor	*		C1U-W17, A	Use C1U-W17A	\$ 41.05	1
C1Q-S185	Carburetor	*		C1U-W19	Simple Start® Carburetor	\$ 41.50	1
C1Q-S186	Carburetor	*		C1U			
C1Q-S187	Carburetor	*		C1U-D1B	Carburetor	\$ 38.50	1
C1Q-S190	Carburetor	*		C1U-DM4, A-C	Use C1U-DM4C	\$ 49.90	1
C1Q-S191	Carburetor	*		C1U-FD1	Carburetor	\$ 54.51	1
C1Q-S192	Carburetor	*		C1U-H10, A-B	Use C1U-H10B	\$ 49.03	1
C1Q-SK5	Carburetor	\$ 49.01	1	C1U-H11, A-K	Use C1U-H11K	\$ 48.56	1
C1Q-SK6, A	Discontinued			C1U-H12, A	Use C1U-H12A	\$ 48.91	1
C1Q-SK8	Carburetor	\$ 60.41	1	C1U-H12, B-D	Use C1U-H12D	\$ 50.87	1
C1Q-SK9	Discontinued			C1U-H13, A-E	Use C1U-H13E	\$ 52.34	1
C1Q-SK10	Carburetor	\$ 70.74	1	C1U-H18, A-D	Use C1U-H18D	\$ 49.97	1
C1Q-SK15	Carburetor	\$ 79.88	1	C1U-H28	Carburetor	\$ 48.42	1
C1Q-SK16	Carburetor	\$ 74.87	1	C1U-H30, B	Use C1U-H30B	\$ 45.46	1
C1Q-W5, A-C	Discontinued			C1U-H31, A-C	Use C1U-H31C	\$ 38.33	1
C1Q-W6, A-C	Discontinued	\$ 47.77		C1U-H33	Carburetor	\$ 40.22	1
C1Q-W8	Carburetor	\$ 39.30	1	C1U-H36	Carburetor	\$ 35.48	1
C1Q-W9	Carburetor	\$ 34.08	1	C1U-H37	Carburetor	\$ 40.18	1
C1Q-W9, A-E	Use C1Q-W9E	\$ 36.00	1	C1U-H39, A	Use C1U-H39A	\$ 35.93	1
C1Q-W11, A-G	Use C1Q-W11G	\$ 32.49	1	C1U-H40	Carburetor	\$ 43.91	1
C1Q-W14	Carburetor	\$ 32.92	1	C1U-H41	Carburetor	\$ 35.77	1
C1Q-W14A	Carburetor	\$ 31.71	1	C1U-H46, A	See C1U Simple Start®		
C1Q-W15	Carburetor	\$ 45.47	1	C1U-H47	Carburetor	\$ 31.64	1
C1Q-W20, A-B	Use C1Q-W20B	\$ 32.49	1	C1U-H48, A	Use C1U-H48A	\$ 33.40	1
C1Q-W29, A-E	Use C1Q-W29E	\$ 36.69	1	C1U-H49	See C1U Simple Start®		
C1Q-W31, A-B	Use C1Q-W31B	\$ 38.98	1	C1U-H60, A-E	Use C1U-H60E	\$ 34.70	1
C1Q-W34, A	Use C1Q-W34A	\$ 40.13	1				
C1Q-W35, A	Use C1Q-W35A	\$ 41.12	1				
C1Q-W36, A	Use C1Q-W36A	\$ 41.27	1				
C1Q-W37	Carburetor	\$ 34.51	1				

*MUST BE PURCHASED FROM AN AUTHORIZED STIHL DISTRIBUTOR.

PRICE LIST

CARBURETORS				CARBURETORS			
PART NUMBER	DESCRIPTION	LIST PRICE	QTY	PART NUMBER	DESCRIPTION	LIST PRICE	QTY
C1U (CONT'D)				C1U (CON'T)			
C1U-H61, A	Use C1U-H61A	\$ 38.21	1	C1U-W17, A	See C1U Simple Start®		
C1U-H62A	Carburetor	\$ 37.75	1	C1U-W18, A	Use C1U-W18A	\$ 32.02	1
C1U-K7, A	Use C1U-K7A	\$ 39.90	1	C1U-W19	See C1U Simple Start®		
C1U-K12	Discontinued			C1U-W22	Carburetor	\$ 42.11	1
C1U-K13	Discontinued			C1U-W24	Carburetor	\$ 32.02	1
C1U-K15, A-B	Discontinued			C1U-W32, A	Use C1U-W32A	\$ 35.15	1
C1U-K21, A-B	Discontinued			C1U-W43,A-B	Use C1U-W43B	\$ 36.26	1
C1U-K22, A	Use C1U-K22A	\$ 44.40	1	C1U-W45	Carburetor	\$ 38.86	1
C1U-K28, A	Discontinued			C1U-W46	Carburetor	\$ 30.79	1
C1U-K30, A	Use C1U-K30A	\$ 44.40	1	C1U-W49	Carburetor	\$ 39.08	1
C1U-K36, A	Use C1U-K36A	\$ 56.26	1				
C1U-K39, A-B	Use C1U-K39B	\$ 63.58	1	C2 / C2S			
C1U-K41, A-B	Use C1U-K41B	\$ 51.08	1	C2-L1, A	Use C2-L1A	\$ 54.32	1
C1U-K42, A-B	Use C1U-K42B	\$ 42.88	1	C2-M3A	Discontinued		
C1U-K43, A-B	Use C1U-K43B	\$ 45.55	1				
C1U-K44, A-B	Use C1U-K44B	\$ 45.55	1	C3			
C1U-K47	Carburetor	\$ 50.55	1	C3-E8, A	Use C3-E8A	\$ 57.25	1
C1U-K52	Carburetor	\$ 48.80	1	C3-E9, A	Use C3-E9A	\$ 58.77	1
C1U-K53, A-B	Use C1U-K53B	\$ 52.46	1	C3-EL15, A	Use C3-EL15A	\$ 45.93	1
C1U-K54, A	Use C1U-K54A	\$ 57.31	1	C3-EL16, A	Use C3-EL16A	\$ 45.93	1
C1U-K55	Carburetor	\$ 51.90	1	C3-EL17, A-B	Use C3-EL17B	\$ 45.09	1
C1U-K58	Carburetor	\$ 43.56	1	C3-EL18, A-B	Use C3-EL18B	\$ 46.55	1
C1U-K59	Carburetor	\$ 49.60	1	C3-EL29, A-C	Use C3-EL29C	\$ 60.91	1
C1U-K62	Carburetor	\$ 47.23	1	C3-EL32	Carburetor	\$ 39.80	1
C1U-K68	Carburetor	\$ 41.43	1	C3-EL43, A	Use C3-EL43A	\$ 56.35	1
C1U-K78	Carburetor	\$ 39.97	1	C3-EL42	Carburetor	\$ 42.14	1
C1U-K81,A-B	Use C1U-K81B	\$ 44.80	1	C3-S148	Carburetor	*	
C1U-K82	Carburetor	\$ 47.46	1	C3-S149	Carburetor	*	
C1U-K83	Carburetor	\$ 62.13	1				
C1U-M20	Carburetor	\$ 40.04	1	C3A/M			
C1U-M21, A-B	Use C1U-M21B	\$ 44.40	1	C3A-H15, A-B	Use C3A-H15B	\$ 52.15	1
C1U-M21C	Discontinued			C3A-S4C	Discontinued		
C1U-M29, A-E	Discontinued			C3A-S19	Carburetor	\$ 52.78	1
C1U-M32, A	Use C1U-M32A	\$ 48.54	1	C3A-S25	Discontinued		
C1U-M32, B-C	Use C1U-M32C	\$ 39.85	1	C3A-S26	Discontinued		
C1U-M37, A	Discontinued			C3A-S27, A-D	Use C3A-S27D	*	
C1U-M38	Carburetor	\$ 49.91	1	C3A-S31, A-E	Use C3A-S31E	*	
C1U-M40	Carburetor	\$ 43.41	1	C3A-S38, A-B	Use C3A-S38B	*	
C1U-M42	Carburetor	\$ 41.12	1	C3A-S39, A-B	Use C3A-S39B	*	
C1U-P6, A	Discontinued			C3A-S65	Carburetor	*	
C1U-P10, A	Use C1U-P10A	\$ 38.91	1	C3M-DM11, A-D	Use C3M-DM11D	\$ 58.16	1
C1U-P11, A-B	Use C1U-P11B	\$ 40.55	1	C3M-DM12, A-B	Use C3M-DM12B	\$ 60.35	1
C1U-P12, A	Use C1U-P12A	\$ 37.12	1	C3M-EL2, A-C	Use C3M-EL2C	\$ 51.35	1
C1U-P14, A	Use C1U-P14A	\$ 37.12	1	C3M-FJ5, A	Use C3M-FJ5A	\$ 279.62	1
C1U-P17	Carburetor	\$ 28.96	1	C3M-K33, A-D	Use C3M-K33D	\$ 83.84	1
C1U-P21, A-B	Use C1U-P21B	\$ 30.03	1	C3M-K74	Carburetor	\$ 77.88	1
C1U-P23	Carburetor	\$ 27.82	1	C3M-K80	Carburetor	\$ 79.64	1
C1U-P27	See C1U Simple Start®			C3M-S5, A-G	Discontinued		
C1U-SK11	Carburetor	\$ 64.62	1				
C1U-SK12	Carburetor	\$ 55.16	1	G1L			
C1U-SK13, A	Use C1U-SK13A	\$ 67.49	1	G1L-E11, A	Use G1L-E11A	\$ 55.87	1
C1U-SK14	Carburetor	\$ 70.98	1				
C1U-SK17	Carburetor	\$ 58.96	1	LA/LB/LE			
C1U-U1	Carburetor	\$ 44.85	1	LA-S6, A	Use LA-S6A	\$ 90.09	1
C1U-W4, A-E	Use C1U-W4E	\$ 43.95	1	LA-S8, A	Use LA-S8A	*	
C1U-W7, A-D	Use C1U-W7D	\$ 42.35	1	LA-S168	Carburetor	*	
C1U-W10, B-C	Use C1U-W10C	\$ 31.33	1	LB-S9, A	Use LB-S9A	*	
C1U-W12, A-B	Use C1U-W12B	\$ 36.07	1	LE-H53	Carburetor	\$ 53.50	1
C1U-W13, A-B	Use C1U-W13B	\$ 36.92	1	LE-H54, A	Discontinued		
C1U-W16, B-C	Use C1U-W16C	\$ 35.00	1	LE-H56	Carburetor	\$ 48.45	1

PRICE LIST

CARBURETORS/KITS				KITS			
PART NUMBER	DESCRIPTION	LIST PRICE	QTY	PART NUMBER	DESCRIPTION	LIST PRICE	QTY
M1				KITS (CON'T)			
M1-M7	Carburetor	\$ 44.34	1	GND-27	Gasket & Diaphragm Kit	\$ 4.88	1
RB				GND-28	Gasket & Diaphragm Kit	\$ 4.88	1
RB-FA1	Carburetor	\$ 63.82	1	GND-30	Gasket & Diaphragm Kit	\$ 6.31	1
RB-FR2, A	Use RB-FR2A	\$ 53.27	1	GND-31	Gasket & Diaphragm Kit	\$ 4.88	1
RB-FR3, A	Use RB-FR3A	\$ 63.89	1	GND-32	Gasket & Diaphragm Kit	\$ 4.88	1
RB-FR4	Carburetor	\$ 53.88	1	GND-33	Gasket & Diaphragm Kit	\$ 4.88	1
RB-JF1	Carburetor	\$ 41.81	1	GND-35	Gasket & Diaphragm Kit	\$ 4.88	1
RB-K57, A-B	Use RB-K57B	\$ 42.88	1	GND-38	Gasket & Diaphragm Kit	\$ 4.88	1
RB-K60, A	Use RB-K60A	\$ 52.27	1	GND-39	Gasket & Diaphragm Kit	\$ 4.88	1
RB-K61, A	Use RB-K61A	\$ 52.27	1	GND-40	Gasket & Diaphragm Kit	\$ 4.88	1
RB-K63	Carburetor	\$ 59.62	1	GND-41	Gasket & Diaphragm Kit	\$ 4.88	1
RB-K65, A	Use RB-K65A	\$ 51.06	1	GND-43	Gasket & Diaphragm Kit	\$ 6.31	1
RB-K66, A-B	Use RB-K66B	\$ 48.38	1	GND-44	Gasket & Diaphragm Kit	\$ 4.88	1
RB-K67, A-B	Use RB-K67B	\$ 52.43	1	GND-47	Gasket & Diaphragm Kit	\$ 4.88	1
RB-K70, A	Use RB-K70A	\$ 50.84	1	GND-48	Gasket & Diaphragm Kit	\$ 4.88	1
RB-K71	Carburetor with Plug	\$ 53.88	1	GND-49	Gasket & Diaphragm Kit	\$ 5.51	1
RB-K72	Carburetor with Plug	\$ 55.02	1	GND-50	Gasket & Diaphragm Kit	\$ 4.88	1
RB-K75	Carburetor with Plug	\$ 57.01	1	GND-51	Gasket & Diaphragm Kit	\$ 4.88	1
RB-K84	Carburetor with 2 Plugs	\$ 50.06	1	GND-52	Gasket & Diaphragm Kit	\$ 4.88	1
RB-K85	Carburetor	\$ 50.28	1	GND-53	Gasket & Diaphragm Kit	\$ 4.88	1
RB-K86	Carburetor with Plug	\$ 49.28	1	GND-54	Gasket & Diaphragm Kit	\$ 4.88	1
RB-K87	Carburetor with Plug	\$ 49.49	1	GND-55	Gasket & Diaphragm Kit	\$ 5.57	1
RB-K88	Carburetor with Plug	\$ 46.06	1	GND-56	Gasket & Diaphragm Kit	\$ 4.88	1
RB-K89	Carburetor w/ 2 Plugs	\$ 56.21	1	GND-57	Gasket & Diaphragm Kit	\$ 4.88	1
RB-K90	Carburetor with Plug	\$ 50.61	1	GND-58	Gasket & Diaphragm Kit	\$ 4.88	1
RB-K91	Carburetor with Plug	\$ 48.58	1	GND-59	Gasket & Diaphragm Kit	\$ 4.88	1
RB-K92	Carburetor with Plug	\$ 50.82	1	GND-61	Gasket & Diaphragm Kit	\$ 4.88	1
RB-K93	Carburetor with Plug	\$ 46.06	1	GND-62	Gasket & Diaphragm Kit	\$ 4.66	1
RB-K94	Carburetor with Plug	\$ 49.42	1	GND-63	Gasket & Diaphragm Kit	\$ 6.06	1
RB-K101	Carburetor with Plug	\$ 49.75	1	GND-64	Gasket & Diaphragm Kit	\$ 5.09	1
RB-K106	Carburetor with Plug	\$ 51.55	1	GND-65	Gasket & Diaphragm Kit	\$ 4.88	1
RB-P25	Carburetor with Plug	\$ 41.43	1	GND-66	Gasket & Diaphragm Kit	\$ 4.88	1
RB-SK18, A	Use RB-SK18A	\$ 53.88	1	GND-67	Gasket & Diaphragm Kit	\$ 4.88	1
RC1/RC2				GND-68	Gasket & Diaphragm Kit	\$ 4.88	1
RC1-M45	Carburetor	\$ 43.87	1	GND-70	Gasket & Diaphragm Kit	\$ 5.51	1
RC1-M46	Carburetor	\$ 45.47	1	GND-71	Gasket & Diaphragm Kit	\$ 4.88	1
RC2-M47	Carburetor	\$ 48.58	1	GND-72	Gasket & Diaphragm Kit	\$ 4.88	1
RC2-M48	Carburetor	\$ 45.08	1	GND-73	Gasket & Diaphragm Kit	\$ 6.31	1
KITS				GND-74	Gasket & Diaphragm Kit	\$ 5.98	1
GND-1	Gasket & Diaphragm Kit	\$ 6.31	1	GND-75	Gasket & Diaphragm Kit	\$ 5.57	1
GND-2	Gasket & Diaphragm Kit	\$ 6.31	1	GND-77	Gasket & Diaphragm Kit	\$ 4.88	1
GND-3	Gasket & Diaphragm Kit	\$ 4.88	1	GND-78	Gasket & Diaphragm Kit	\$ 5.51	1
GND-4	Gasket & Diaphragm Kit	\$ 4.88	1	GND-80	Gasket & Diaphragm Kit	\$ 5.57	1
GND-5	Gasket & Diaphragm Kit	\$ 4.88	1	GND-81	Gasket & Diaphragm Kit	\$ 4.60	1
GND-6	Gasket & Diaphragm Kit	\$ 4.88	1	GND-82	Gasket & Diaphragm Kit	\$ 5.57	1
GND-7	Gasket & Diaphragm Kit	\$ 4.36	1	GND-83	Gasket & Diaphragm Kit	\$ 6.31	1
GND-8	Gasket & Diaphragm Kit	\$ 4.88	1	GND-84	Gasket & Diaphragm Kit	*	
GND-9	Gasket & Diaphragm Kit	\$ 6.31	1	GND-86	Gasket & Diaphragm Kit	\$ 6.31	1
GND-12	Gasket & Diaphragm Kit	\$ 4.53	1	GND-87	Gasket & Diaphragm Kit	\$ 6.50	1
GND-17	Gasket & Diaphragm Kit	\$ 4.36	1	GND-88	Gasket & Diaphragm Kit	*	
GND-18	Gasket & Diaphragm Kit	\$ 5.29	1	GND-89	Gasket & Diaphragm Kit	\$ 6.31	1
GND-19	Gasket & Diaphragm Kit	\$ 4.88	1	GND-90	Gasket & Diaphragm Kit	\$ 6.31	1
GND-20	Gasket & Diaphragm Kit	\$ 4.88	1	GND-91	Gasket & Diaphragm Kit	*	
GND-21	Gasket & Diaphragm Kit	\$ 4.88	1	GND-92	Gasket & Diaphragm Kit	\$ 6.31	1
GND-24	Gasket & Diaphragm Kit	\$ 4.88	1	GND-93	Gasket & Diaphragm Kit	\$ 6.55	1
GND-25	Gasket & Diaphragm Kit	\$ 4.88	1	GND-94	Gasket & Diaphragm Kit	\$ 6.31	1
GND-26	Gasket & Diaphragm Kit	\$ 4.88	1	GND-95	Gasket & Diaphragm Kit	\$ 6.35	1
				GND-96	Gasket & Diaphragm Kit	\$ 6.31	1
				GND-97	Gasket & Diaphragm Kit	\$ 6.35	1
				GND-98	Gasket & Diaphragm Kit	*	

*MUST BE PURCHASED FROM AN AUTHORIZED STIHL DISTRIBUTOR.

PRICE LIST

KITS				KITS			
PART NUMBER	DESCRIPTION	LIST PRICE	QTY	PART NUMBER	DESCRIPTION	LIST PRICE	QTY
KITS (CON'T)				KITS (CON'T)			
GND-99	Gasket & Diaphragm Kit	*		K017084	Cover Kit, Pump	\$ 8.36	1
GND-101	Gasket & Diaphragm Kit	*		K017085	Cover Kit, Pump	\$ 8.36	1
GND-104	Gasket & Diaphragm Kit	*		K017086	Cover Kit, Pump	*	
GND-105	Gasket & Diaphragm Kit	\$ 6.55	1	K017087	Cover Kit, Pump	*	
GND-106	Gasket & Diaphragm Kit	\$ 6.55	1	K017088	Cover Kit, Pump	\$ 8.36	1
K005001	Plug Kit, Jet	\$ 4.28	1	K017089	Cover Kit, Pump	*	
K011023	Shaft, Kit Throttle	\$ 4.51	1	K017091	Cover Kit, Pump	\$ 8.36	1
K011024	Shaft, Kit Throttle	\$ 4.51	1	K017094	Cover Kit, Pump	*	
K011025	Shaft, Kit Throttle	\$ 4.92	1	K017095	Cover Kit, Pump	*	
K011026	Shaft, Kit Throttle	\$ 4.51	1	K017096	Cover Kit, Pump	\$ 8.36	1
K011027	Shaft, Kit Throttle	\$ 1.78	1	K017701	Cover Kit, Pump	\$ 8.36	1
K011028	Shaft, Kit Throttle	\$ 1.78	1	K030097	Screw Kit, Main Mixture	\$ 4.30	1
K011093	Shaft, Kit Throttle	\$ 4.51	1	K030138	Screw Kit, Main Mixture	\$ 4.92	1
K011701	Shaft, Kit Throttle	\$ 4.51	1	K030141	Screw Kit, Main Mixture	\$ 4.30	1
K012002	Lever Kit, Throttle	\$ 4.56	1	K030146	Screw Kit, Main Mixture	\$ 5.52	1
K012015	Lever Kit, Throttle	*		K030147	Screw Kit, Main Mixture	\$ 4.92	1
K017001	Cover Kit, Pump	\$ 8.36	1	K031088	Screw Kit, Idle Mixture	\$ 4.92	1
K017002	Cover Kit, Pump	\$ 8.36	1	K031094	Screw Kit, Idle Mixture	\$ 4.92	1
K017006	Cover Kit, Pump	*		K031097	Screw Kit, Idle Mixture	\$ 4.92	1
K017008	Cover Kit, Pump	*		K031098	Screw Kit, Idle Mixture	\$ 5.51	1
K017010	Cover Kit, Pump	\$ 8.36	1	K031103	Screw Kit, Idle Mixture	\$ 5.51	1
K017012	Cover Kit, Pump	*		K031109	Screw Kit, Idle Mixture	\$ 5.29	1
K017014	Cover Kit, Pump	\$ 8.36	1	K031132	Screw Kit, Idle Mixture	\$ 4.92	1
K017015	Cover Kit, Pump	\$ 8.36	1	K031135	Screw Kit, Idle Mixture	\$ 4.92	1
K017016	Cover Kit, Pump	*		K031137	Screw Kit, Idle Mixture	\$ 4.92	1
K017017	Cover Kit, Pump	\$ 8.36	1	K031138	Screw Kit, Idle Mixture	\$ 2.67	1
K017019	Cover Kit, Pump	\$ 8.36	1	K031139	Screw Kit, Idle Mixture	\$ 5.29	1
K017021	Cover Kit, Pump	\$ 8.36	1	K031141	Screw Kit, Idle Mixture	\$ 5.52	1
K017024	Cover Kit, Pump	\$ 8.36	1	K031142	Screw Kit, Idle Mixture	\$ 4.92	1
K017025	Cover Kit, Pump	\$ 8.36	1	K031145	Screw Kit, Idle Mixture	\$ 5.29	1
K017027	Discontinued			K031147	Screw Kit, Idle Mixture	\$ 4.92	1
K017028	Cover Kit, Pump	\$ 8.36	1	K031148	Screw Kit, Idle Mixture	\$ 5.52	1
K017030	Cover Kit, Pump	\$ 8.36	1	K031149	Screw Kit, Idle Mixture	\$ 5.52	1
K017034	Cover Kit, Pump	\$ 8.36	1	K031151	Screw Kit, Idle Mixture	\$ 5.52	1
K017036	Cover Kit, Pump	\$ 8.36	1	K031152	Screw Kit, Idle Mixture	\$ 5.52	1
K017037	Cover Kit, Pump	\$ 8.36	1	K041001	Kit, Choke	\$ 6.40	1
K017039	Cover Kit, Pump	\$ 8.36	1	K041002	Kit, Choke	\$ 7.11	1
K017040	Cover Kit, Pump	\$ 8.36	1	K041003	Kit, Choke	\$ 6.40	1
K017041	Cover Kit, Pump	\$ 8.36	1	K041021B	Choke Shaft Kit	\$ 8.27	1
K017042	Cover Kit, Pump	\$ 8.36	1	K049001	Cover Kit, Starter Pump	\$ 8.59	1
K017062	Cover Kit, Pump	\$ 8.36	1	K049002	Body Kit, Starter Pump	\$ 8.59	1
K017064	Cover Kit, Pump	\$ 8.36	1	K049003	Body Kit, Pump	*	
K017065	Cover Kit, Pump	\$ 8.36	1	K049004	Body Kit, Starter Pump	\$ 8.59	1
K017066	Cover Kit, Pump	\$ 8.36	1	K049005	Body Kit, Pump	*	
K017067	Cover Kit, Pump	\$ 8.36	1	K049006	Body Kit, Pump	*	
K017068	Cover Kit, Pump	\$ 8.36	1	K049007	Body Kit, Pump	*	
K017069	Cover Kit, Pump	*		K049008	Body Kit, Pump	*	
K017070	Cover Kit, Pump	\$ 8.36	1	K053002	Plunger Kit	\$ 3.10	1
K017071	Cover Kit, Pump	\$ 8.36	1	K053003	Plunger Kit	\$ 3.10	1
K017072	Cover Kit, Pump	\$ 8.36	1	K053005	Plunger Kit	\$ 8.50	1
K017073	Cover Kit, Pump	\$ 8.36	1	K053011	Plunger Kit	\$ 2.65	1
K017074	Cover Kit, Pump	\$ 8.36	1	K053014	Plunger Kit	\$ 8.50	1
K017075	Cover Kit, Pump	*		K053030	Plunger Kit	\$ 4.11	1
K017076	Cover Kit, Pump	\$ 8.36	1	K053031	Plunger Kit	\$ 4.11	1
K017078	Cover Kit, Pump	*		K053034	Plunger Kit	\$ 4.11	1
K017079	Cover Kit, Pump	\$ 8.36	1	K053039	Plunger Kit	\$ 4.11	1
K017080	Cover Kit, Pump	\$ 8.36	1	K053042	Plunger Kit	\$ 4.11	1
K017081	Cover Kit, Pump	\$ 8.36	1	K053054	Plunger Kit	\$ 4.11	1
K017082	Cover Kit, Pump	\$ 8.36	1	K053057	Plunger Kit	\$ 4.11	1
K017083	Cover Kit, Pump	*		K053059	Plunger Kit	\$ 4.11	1

PRICE SHEET

KITS				KITS			
PART NUMBER	DESCRIPTION	LIST PRICE	QTY	PART NUMBER	DESCRIPTION	LIST PRICE	QTY
KITS (CON'T)				KITS (CON'T)			
K056003	Base Kit, Primer	\$ 15.36	1	RB-28	Rebuild Kit	\$ 8.94	1
K056005	Base Kit, Primer	\$ 15.36	1	RB-29	Rebuild Kit	\$ 8.60	1
K056006	Base Kit, Primer	\$ 15.36	1	RB-30	Rebuild Kit	\$ 8.94	1
K056028	Base Kit, Primer	\$ 15.36	1	RB-31	Rebuild Kit	\$ 9.79	1
K056029	Base Kit, Primer	\$ 15.36	1	RB-32	Rebuild Kit	\$ 9.79	1
K056030	Base Kit, Primer	\$ 15.36	1	RB-35	Rebuild Kit	\$ 8.60	1
K056031	Base Kit, Primer	\$ 15.37	1	RB-36	Rebuild Kit	\$ 8.60	1
K056032	Base Kit, Primer	\$ 15.37	1	RB-37	Rebuild Kit	\$ 8.94	1
K056033	Base Kit, Primer	\$ 15.36	1	RB-38	Rebuild Kit	\$ 8.94	1
K056034	Base Kit, Primer	\$ 15.36	1	RB-39	Rebuild Kit	\$ 8.60	1
K056035	Base Kit, Primer	\$ 15.36	1	RB-40	Rebuild Kit	\$ 8.60	1
K056036	Base Kit, Primer	\$ 15.36	1	RB-41	Rebuild Kit	\$ 8.60	1
K056037	Base Kit, Primer	\$ 15.36	1	RB-42	Rebuild Kit	\$ 10.43	1
K056038	Base Kit, Primer	\$ 15.36	1	RB-43	Rebuild Kit	\$ 8.94	1
K056039	Base Kit, Primer	\$ 15.36	1	RB-44	Rebuild Kit	\$ 8.94	1
K056041	Primer Kit, External	\$ 15.37	1	RB-45	Rebuild Kit	\$ 8.94	1
K056042	Base Kit, Primer	\$ 15.37	1	RB-46	Rebuild Kit	\$ 8.94	1
K056043	Base Kit, Primer	\$ 15.37	1	RB-47	Rebuild Kit	\$ 10.47	1
K056044	Primer Kit, External	\$ 15.37	1	RB-48	Rebuild Kit	\$ 8.94	1
K056045	Primer Kit, External	\$ 15.37	1	RB-50	Rebuild Kit	\$ 8.94	1
K056046	Base Kit, Primer	\$ 15.37	1	RB-51	Rebuild Kit	\$ 8.94	1
K056047	Base Kit, Primer	\$ 15.37	1	RB-52	Rebuild Kit	\$ 11.43	1
K056048	Base Kit, Primer	\$ 15.37	1	RB-53	Rebuild Kit	\$ 8.94	1
K056701	Base Kit, Primer	\$ 15.37	1	RB-54	Rebuild Kit	\$ 8.94	1
K056703	Primer Kit, External	\$ 15.37	1	RB-55	Rebuild Kit	\$ 8.94	1
K056704	Base Kit, Primer	\$ 15.37	1	RB-56	Rebuild Kit	\$ 8.94	1
K061001	Limit Cap/Retainer Kit	\$ 3.42	1	RB-57	Rebuild Kit	\$ 8.94	1
K061002	Limit Cap/Retainer Kit	\$ 3.42	1	RB-59	Rebuild Kit	\$ 9.79	1
K088001	Body Kit, Airhead	*		RB-60	Rebuild Kit	\$ 9.48	1
K088002	Body Kit, Airhead	*		RB-61	Rebuild Kit	\$ 9.79	1
K088003	Body Kit, Airhead	*		RB-62	Rebuild Kit	\$ 8.94	1
K088004	Body Kit, Airhead	*		RB-63	Rebuild Kit	\$ 8.94	1
KS017030	Cover Kit, Pump	\$ 3.90	1	RB-64	Rebuild Kit	\$ 9.79	1
KS017031	Cover Kit, Pump	\$ 4.69	1	RB-65	Rebuild Kit	\$ 8.60	1
KS017032	Cover Kit, Pump	\$ 6.92	1	RB-66	Rebuild Kit	\$ 8.94	1
KS017045	Cover Kit, Pump	\$ 4.69	1	RB-68	Rebuild Kit	\$ 9.79	1
LCR KIT	Limit Cap/Retainer Kit	\$ 65.59	1	RB-69	Rebuild Kit	\$ 9.48	1
RB-1	Rebuild Kit	\$ 8.94	1	RB-70	Rebuild Kit	\$ 9.79	1
RB-2	Rebuild Kit	\$ 9.79	1	RB-71	Rebuild Kit	\$ 9.79	1
RB-3	Rebuild Kit	\$ 9.79	1	RB-72	Rebuild Kit	\$ 8.94	1
RB-4	Rebuild Kit	\$ 8.94	1	RB-73	Rebuild Kit	\$ 9.38	1
RB-5	Rebuild Kit	\$ 9.79	1	RB-74	Rebuild Kit	\$ 9.79	1
RB-6	Rebuild Kit	\$ 8.94	1	RB-75	Rebuild Kit	\$ 9.31	1
RB-7	Rebuild Kit	\$ 8.94	1	RB-76	Rebuild Kit	\$ 9.79	1
RB-8	Rebuild Kit	\$ 8.94	1	RB-77	Rebuild Kit	\$ 9.79	1
RB-9	Rebuild Kit	\$ 8.94	1	RB-78	Rebuild Kit	\$ 9.79	1
RB-10	Rebuild Kit	\$ 9.79	1	RB-79	Rebuild Kit	\$ 9.41	1
RB-11	Rebuild Kit	\$ 8.60	1	RB-81	Rebuild Kit	\$ 10.02	1
RB-12	Rebuild Kit	\$ 8.60	1	RB-82	Rebuild Kit	\$ 8.94	1
RB-13	Rebuild Kit	\$ 8.60	1	RB-83	Rebuild Kit	\$ 9.41	1
RB-14	Rebuild Kit	\$ 8.60	1	RB-84	Rebuild Kit	\$ 8.94	1
RB-15	Rebuild Kit	\$ 8.94	1	RB-85	Rebuild Kit	\$ 9.41	1
RB-16	Rebuild Kit	\$ 10.40	1	RB-86	Rebuild Kit	\$ 10.05	1
RB-17	Rebuild Kit	\$ 10.40	1	RB-88	Rebuild Kit	\$ 10.97	1
RB-20	Rebuild Kit	\$ 9.48	1	RB-89	Rebuild Kit	\$ 8.94	1
RB-21	Rebuild Kit	\$ 8.94	1	RB-91	Rebuild Kit	\$ 9.81	1
RB-23	Rebuild Kit	\$ 8.94	1	RB-93	Rebuild Kit	\$ 9.81	1
RB-25	Rebuild Kit	\$ 8.94	1	RB-94	Rebuild Kit	\$ 9.79	1
RB-26	Rebuild Kit	\$ 8.94	1	RB-95	Rebuild Kit	\$ 9.81	1
RB-27	Rebuild Kit	\$ 8.94	1	RB-96	Rebuild Kit	\$ 8.90	1

*MUST BE PURCHASED FROM AN AUTHORIZED STIHL DISTRIBUTOR.

PRICE SHEET

KITS				KITS/FUEL FILTERS/MISC			
PART NUMBER	DESCRIPTION	LIST PRICE	QTY	PART NUMBER	DESCRIPTION	LIST PRICE	QTY
KITS (CON'T)				KITS (CON'T)			
RB-97	Rebuild Kit	\$ 9.81	1	RB-161	Rebuild Kit	\$ 10.55	1
RB-98	Rebuild Kit	\$ 9.79	1	RB-162	Rebuild Kit	\$ 10.55	1
RB-99	Rebuild Kit	\$ 9.79	1	RB-163	Rebuild Kit	\$ 10.55	1
RB-100	Rebuild Kit	\$ 9.33	1	RB-164	Rebuild Kit	*	
RB-101	Rebuild Kit	\$ 10.99	1	RB-165	Rebuild Kit	\$ 10.97	1
RB-102	Rebuild Kit	\$ 9.33	1	RB-166	Rebuild Kit	\$ 10.55	1
RB-103	Rebuild Kit	\$ 10.07	1	RB-167	Rebuild Kit	\$ 10.55	1
RB-104	Rebuild Kit	\$ 9.33	1	RB-168	Rebuild Kit	\$ 10.97	1
RB-105	Rebuild Kit	\$ 9.81	1	RB-169	Rebuild Kit	*	
RB-106	Rebuild Kit	\$ 9.79	1	RB-170	Rebuild Kit	*	
RB-107	Rebuild Kit	\$ 10.55	1	Rb-171	Rebuild Kit	*	
RB-108	Rebuild Kit	\$ 9.79	1	RB-172	Rebuild Kit	*	
RB-109	Rebuild Kit	\$ 9.79	1	RB-173	Rebuild Kit	*	
RB-110	Rebuild Kit	\$ 10.07	1	RB-176	Rebuild Kit	*	
RB-111	Rebuild Kit	\$ 8.90	1	RB-177	Rebuild Kit	\$ 16.18	1
RB-112	Rebuild Kit	\$ 10.97	1	RB-180	Rebuild Kit	*	
RB-113	Rebuild Kit	\$ 9.22	1	RB-181	Rebuild Kit	\$ 10.99	1
RB-114	Rebuild Kit	\$ 10.43	1	RB-184	Rebuild Kit	\$ 10.55	1
RB-115	Rebuild Kit	\$ 9.41	1	RB-188	Rebuild Kit	\$ 10.97	1
RB-116	Rebuild Kit	\$ 9.33	1				
RB-117	Rebuild Kit	\$ 9.33	1	FUEL FILTERS			
RB-118	Rebuild Kit	\$ 10.07	1	ZF-1	In-Tank Fuel Filter	\$ 1.19	10
RB-119	Rebuild Kit	\$ 10.07	1	ZF-2	In-Tank Fuel Filter	\$ 1.19	10
RB-120	Rebuild Kit	\$ 10.07	1	ZF-3	In-Tank Fuel Filter	\$ 2.76	10
RB-121	Rebuild Kit	\$ 9.79	1	ZF-4	In-Tank Fuel Filter	\$ 2.76	10
RB-122	Rebuild Kit	\$ 9.79	1	ZF-5	In-Tank Fuel Filter	\$ 2.76	10
RB-123	Rebuild Kit	\$ 10.55	1	ZF-1/25	In-Tank Fuel Filter	\$ 24.25	25
RB-124	Rebuild Kit	\$ 9.81	1	ZF-2/25	In-Tank Fuel Filter	\$ 24.25	25
RB-125	Rebuild Kit	\$ 9.79	1	ZF-3/25	In-Tank Fuel Filter	\$ 68.90	25
RB-127	Rebuild Kit	\$ 9.79	1	ZF-4/25	In-Tank Fuel Filter	\$ 68.90	25
RB-128	Rebuild Kit	\$ 10.55	1	ZF-5/25	In-Tank Fuel Filter	\$ 68.90	25
RB-129	Rebuild Kit	\$ 10.07	1	ZF-1/50	In-Tank Fuel Filter	\$ 43.65	50
RB-130	Rebuild Kit	\$ 10.07	1	ZF-2/50	In-Tank Fuel Filter	\$ 43.65	50
RB-132	Rebuild Kit	\$ 9.79	1				
RB-133	Rebuild Kit	\$ 16.18	1	ZF-1C	In-Tank Fuel Filter	\$ 16.66	1
RB-134	Rebuild Kit	\$ 10.43	1	ZF-2C	In-Tank Fuel Filter	\$ 16.66	1
RB-135	Rebuild Kit	\$ 10.35	1	ZF-3C	In-Tank Fuel Filter	\$ 34.45	1
RB-136	Rebuild Kit	\$ 9.79	1	ZF-4C	In-Tank Fuel Filter	\$ 34.45	1
RB-137	Rebuild Kit	\$ 10.43	1	ZF-5C	In-Tank Fuel Filter	\$ 34.45	1
RB-138	Rebuild Kit	\$ 10.43	1		(10 pc display card)		
RB-139	Rebuild Kit	\$ 10.55	1	MISC			
RB-141	Rebuild Kit	\$ 10.07	1	CDMAN	Service Manual on CD	\$ 3.71	1
RB-142	Rebuild Kit	\$ 10.43	1	SVCMAN	Parts & Service Manual	\$ 11.66	1
RB-144	Rebuild Kit	\$ 10.07	1	ZGA-001	In-Tank Gasket Kit	\$ 78.64	1
RB-145	Rebuild Kit	\$ 9.95	1	ZPG-2	Pressure Gauge 15 PSI	\$ 67.14	1
RB-146	Rebuild Kit	\$ 10.07	1	ZT-1	Metering Lever Hgt Gauge	\$ 3.40	1
RB-147	Rebuild Kit	\$ 10.55	1	ZTK-101	Tool Kit	\$ 30.74	1
RB-148	Rebuild Kit	\$ 10.43	1				
RB-149	Rebuild Kit	\$ 10.55	1				
RB-150	Rebuild Kit	\$ 10.55	1				
RB-151	Rebuild Kit	*					
RB-152	Rebuild Kit	\$ 10.55	1				
RB-153	Rebuild Kit	\$ 10.43	1				
RB-154	Rebuild Kit	\$ 10.87	1				
RB-155	Rebuild Kit	*					
RB-156	Rebuild Kit	\$ 10.43	1				
RB-157	Rebuild Kit	\$ 10.55	1				
RB-158	Rebuild Kit	\$ 10.55	1				
RB-159	Rebuild Kit	\$ 10.43	1				
RB-160	Rebuild Kit	*					